

↗ DOMETIC

COOL BOXES

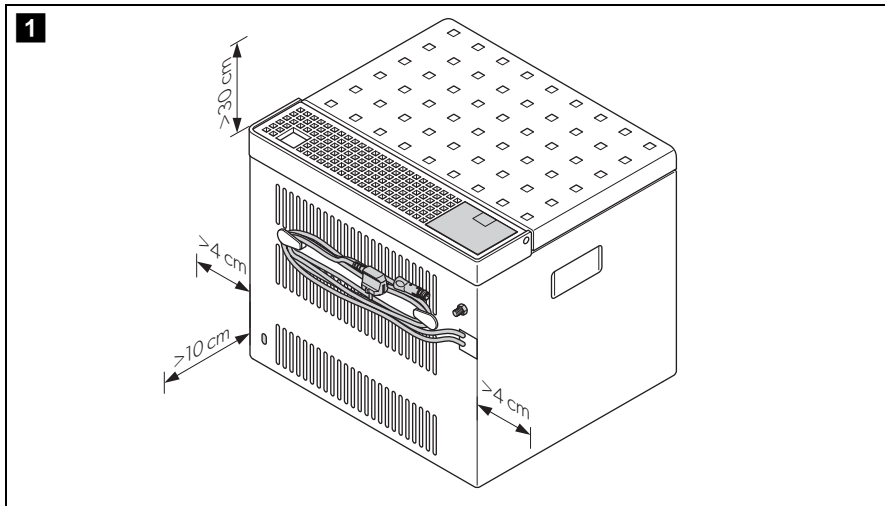
ACX SERIES



ACX35, ACX40, ACX40G

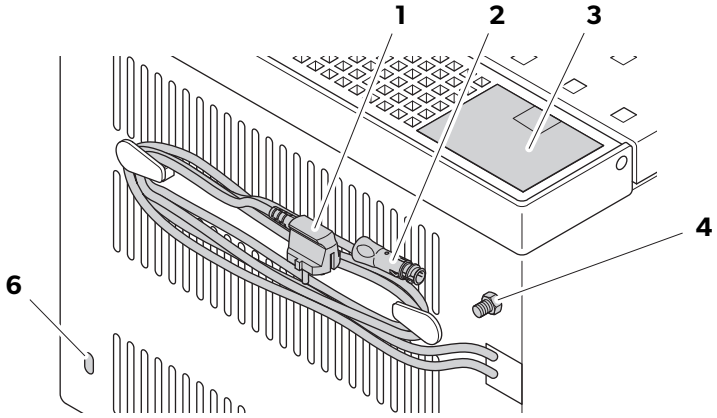
EN	Absorber Cooler	Operating manual 10
DE	Absorber-Kühlbox	Bedienungsanleitung 27
FR	Glacière à absorption	Notice d'utilisation 46
ES	Nevera con extractor	Instrucciones de uso 65
PT	Geleira de absorção	Manual de instruções 84
IT	Frigorifero portatile ad assorbimento	Istruzioni per l'uso 104
NL	Absorptie-koelbox	Gebruiksaanwijzing 124
DA	Absorptionskøleboks	Betjeningsvejledning 142

SV	Absorptionskylbox	Bruksanvisning 159
NO	Absorbasjons-kjøleboks	Bruksanvisning 176
FI	Absorbtiio-kylmälaatikko	Käyttöohje 193
PL	Lodówka absorbcyjna	Instrukcja obsługi 210
SK	Absorpčný chladiaci box	Návod na obsluhu 229
CS	Chladičí box absorbéru	Návod k obsluze 248
HU	Abszorpciós hűtőláda	Használati utasítás 266

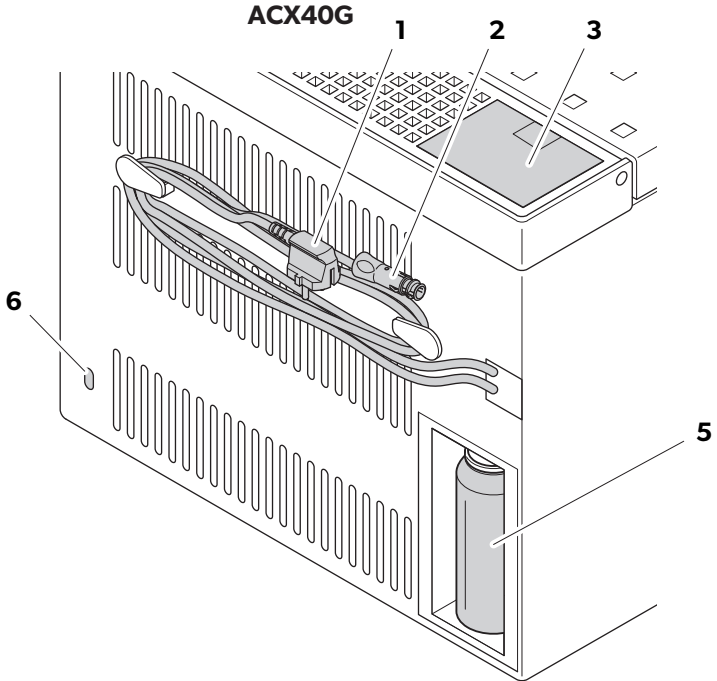


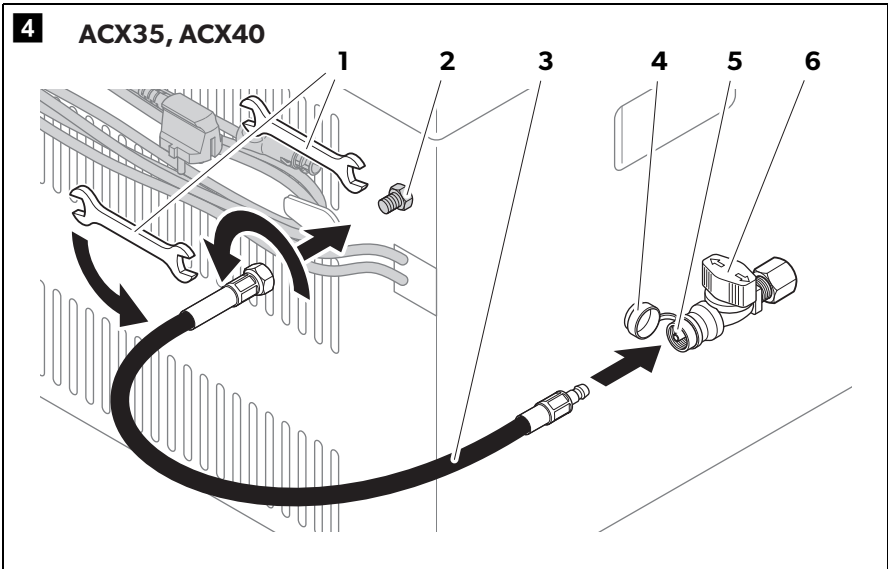
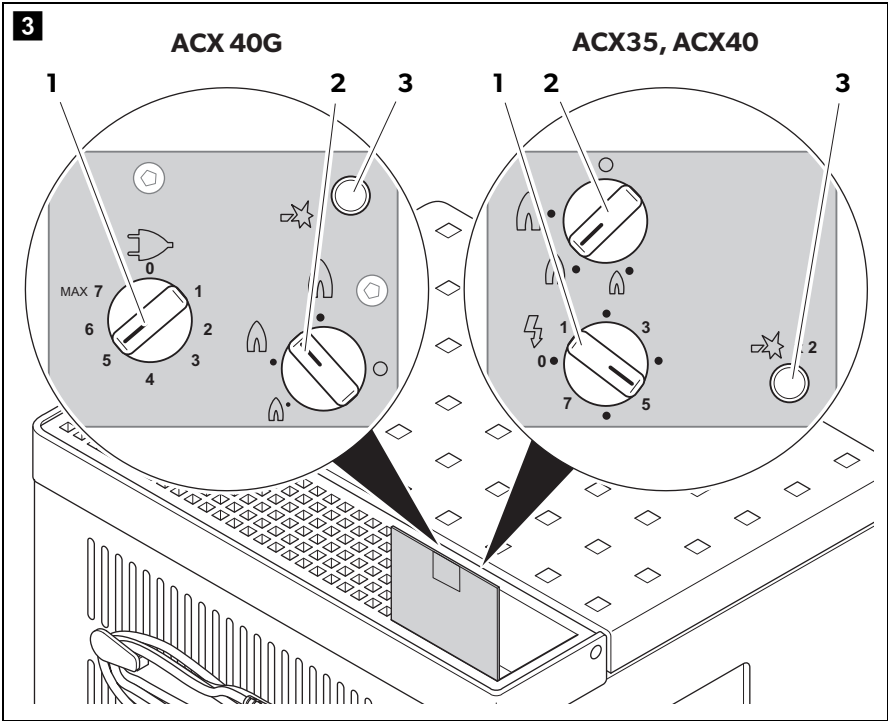
2

ACX35, ACX40

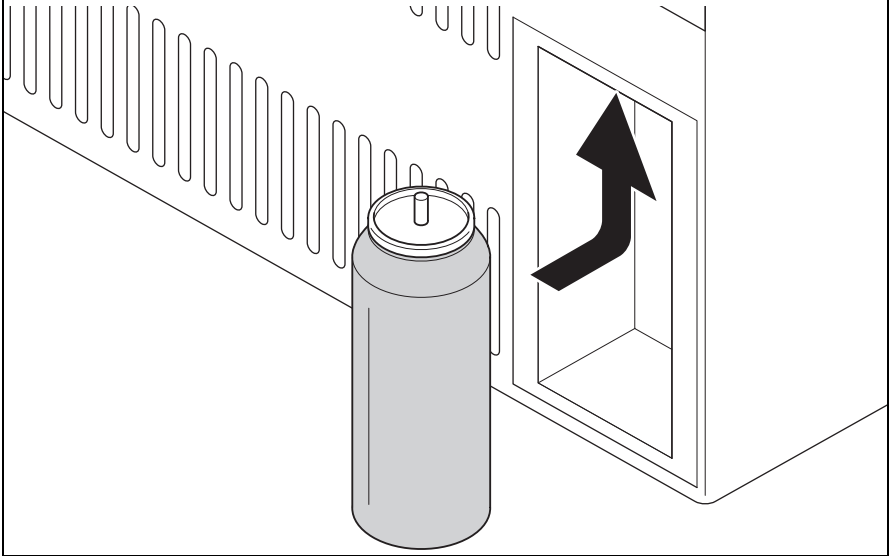


ACX40G

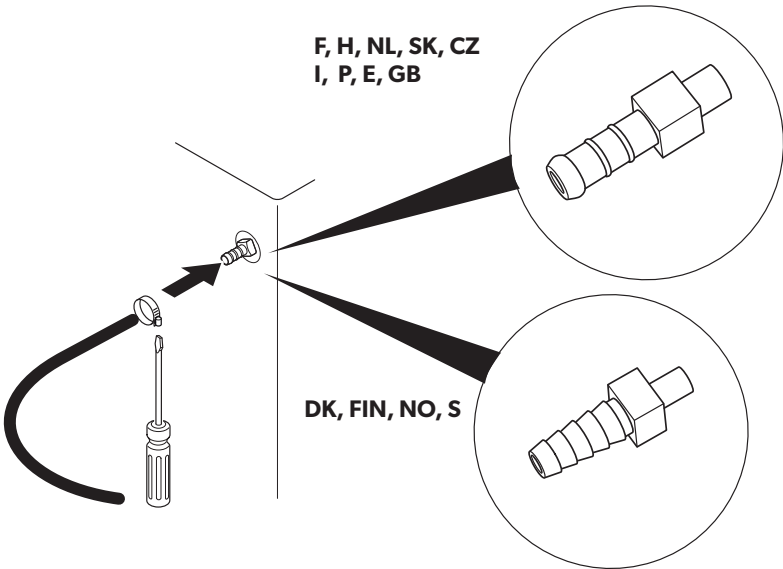
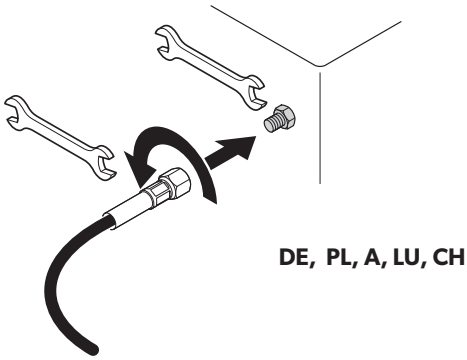




5 ACX40G

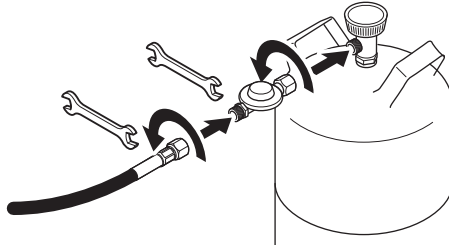


6

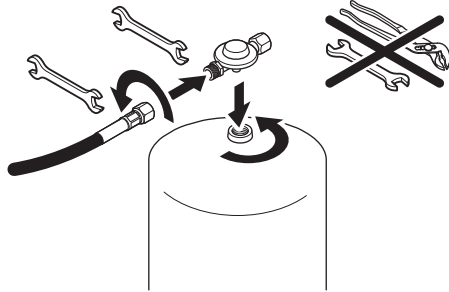


7

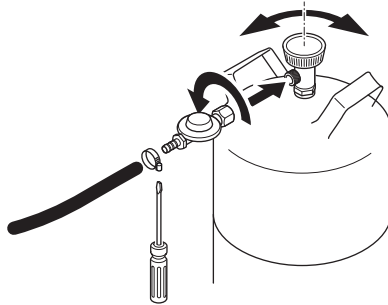
D, A, CH, PL



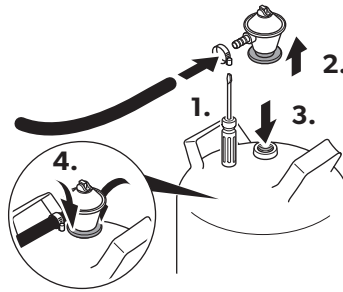
**D, A, CH, DK, E,
F, IRL, LU, S, IT**

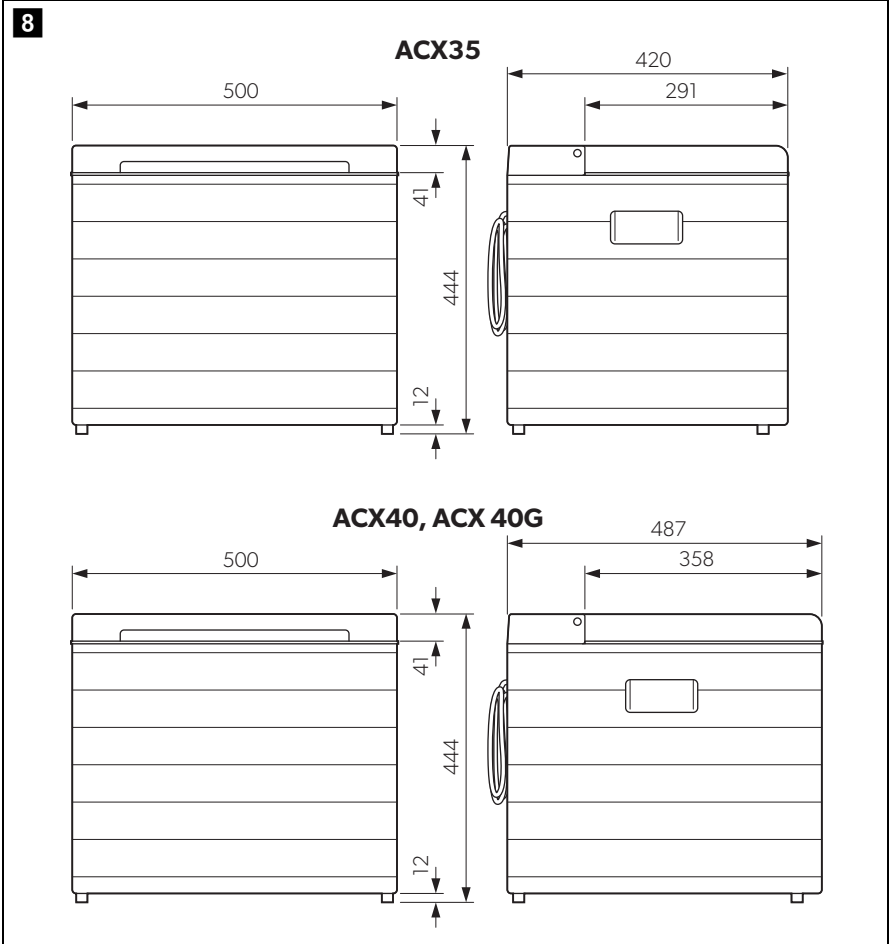


**S, UK, F, IT, NL,
ES, CZ, SK, PT**



DK, FI





Please read this operating manual carefully before starting the device. Keep it in a safe place for future reference. If the device is passed on to another person, this operating manual must be handed over to the user along with it.

The manufacturer cannot be held liable for damage resulting from **improper usage** or **incorrect operation**.

Table of contents

1	Explanation of symbols	11
2	Safety instructions	11
3	Scope of delivery	15
4	Intended use	15
5	Technical description	15
6	Operation	17
7	Cleaning and maintenance	23
8	Warranty	23
9	Troubleshooting	24
10	Disposal	25
11	Technical data	25

1 Explanation of symbols

**WARNING!**

Safety instruction: Failure to observe this instruction can cause fatal or serious injury.

**CAUTION!**

Safety instruction: Failure to observe this instruction can lead to injury.

**NOTICE!**

Failure to observe this instruction can cause material damage and impair the function of the product.

**NOTE**

Supplementary information for operating the product.

2 Safety instructions

2.1 General safety

**WARNING!**

- Never open the absorber unit. It is under high pressure and can cause injury if it is opened.
- Do not operate the cooler if it is visibly damaged.
- If the power cable for this cooler is damaged, it must be replaced by the manufacturer, customer service or a similarly qualified person in order to prevent safety hazards.
- This cooler only be repaired by qualified personnel. Inadequate repairs may cause serious hazards.
- This cooler can be used by children aged 8 years or over, as well as by persons with diminished physical, sensory or mental capacities or a lack of experience and knowledge, providing they are supervised or have been taught how to use the cooler safely and are aware of the resulting risks.
- Cleaning and user maintenance must not carried out by unsupervised children.
- Children must not play with the cooler.

- Children must be supervised to ensure that they do not play with the cooler.
- Always keep and use the cooler out of the reach of children under 8 years of age.
- Do not store any explosive substances, such as spray cans with propellants, in the cooler.

**CAUTION!**

- Disconnect the cooler from the electricity and gas supplies.
 - Before cleaning and maintenance
 - After use
- Food may only be stored in its original packaging or in suitable containers.

**NOTICE!**

- Do not open the refrigerant circuit under any circumstances.
- The refrigerant in the refrigerator circuit is highly flammable. In the event of any damage to the refrigerator circuit:
 - Avoid naked flames and sparks.
 - Air the room well.
- Check that the voltage specification on the type plate is the same as that of the power supply.
- Only connect the cooler as follows:
 - Plug the DC connection cable into the DC on-board socket (e.g. cigarette lighter) in the vehicle
 - Or plug the AC connection cable into the AC mains
- Never pull the plug out of the socket by the connection cable.
- If the cooler is connected to the DC socket: Disconnect the cooler and other power consuming devices from the battery before connecting the quick charging device.
- If the cooler is connected to the DC socket: disconnect the cooler or switch it off when you turn off the engine. Otherwise you may discharge the battery.
- The cooler is not suitable for transporting substances which are caustic or contain solvents.
- This cooler contains combustible cyclopentane in the insulation. The gases in the insulation material require special disposal procedures. At the end of its service life, ensure that the cooler is properly disposed of.

2.2 Operating the cooler safely



CAUTION!

- Before starting the device, ensure that the power supply line and the plug are dry.
- Only use the appliance where there is good ventilation.
- Do not let the appliance operate unattended.
- Only operate the cooler from a single energy source.



NOTICE!

- Do not use electrical devices inside the cooler unless they are recommended by the manufacturer for that purpose.
- Do not place the cooler near naked flames or other heat sources (heaters, direct sunlight, gas ovens etc.).
- **Danger of overheating!**
Always ensure sufficient ventilation so that the heat generated during operation can dissipate. Make sure that the cooler is sufficiently far away from walls and other objects so that the air can circulate.
- Ensure that the ventilation openings are not covered. Keep the following spaces (fig. **1**, page 3).
- Do not fill the inner container with ice or fluid.
- Never immerse the cooler in water.
- Protect the cooler and the cable against heat and moisture.
- To enable the refrigerant to circulate properly, the cooler may not be tilted by more than 3°. Use a spirit level to make sure the cooler is level.

2.3 Safety when operating with DC power



NOTICE!

- Only select DC operation (battery mode) if you are using a battery monitor or if the alternator in your vehicle provides sufficient voltage.
- Only use cables with an appropriate cross section.

2.4 Safety when operating with AC power



NOTICE!

- Check that the voltage specification on the type plate is the same as that of the power supply.
- Only use the cable supplied to connect the cooler to the AC mains.
- Never pull the plug out of the socket by the connection cable.

2.5 Safety when operating with gas



WARNING!

- When using gas, the cooler may **only** be used outdoors.
- Never operate the cooler with gas
 - in road vehicles, water vessels or enclosed spaces
 - at petrol stations
 - while driving
- **Beware of suffocation!**
Operating the device with gas in an unventilated area will reduce the amount of oxygen in this area.
- Make sure that the area is sufficiently ventilated when the device is being operated.
- Do not operate the device in unventilated areas such as enclosed premises, tents, motor vehicles, motor homes, caravans, ships, yachts, boats and truck cabs.
- Never place the device near flammable materials (paper, dry leaves, textiles).
- Keep flammable objects away from the burner.
- The cooler may **only** be operated with the pressure stated on the type plate. Use a DIN-DVGW-approved pressure regulator with a fixed setting in accordance with DIN EN 16129.
- **Never** store liquid gas cylinders in unventilated areas or below ground level (funnel shaped holes in the ground).
- Keep liquid gas cylinders away from direct sunlight. The temperature may not exceed 50 °C.
- Never use a naked flame to check the cooler for leaks.

- If you smell gas:
 - Close the gas supply cock and the valve on the cylinder.
 - Do not press an electric switch.
 - Put out any naked flames.
 - Have the gas system checked by a specialist.

**NOTICE!**

- Only use propane or butane gas (not natural gas).

3 Scope of delivery

Quantity	Description
1	Absorber cooler
1	Tray with cover for making ice cubes
1	Operating manual

4 Intended use

The absorber cooler is ideal for cooling foodstuffs.

The cooler can be operated with DC power, AC power or gas.

It can also be used for camping. The device may not be exposed to rain.

**CAUTION! Health hazard!**

Please check if the cooling capacity of the device is suitable for storing the food you wish to cool.

5 Technical description

The cooler is portable. It can keep goods cool up to max. 30 °C below ambient temperature.

If using gas, the cooler may only be operated outdoors.

If using electricity, the cooler may also be operated in enclosed spaces.

5.1 Connections

No. in fig. 2 , page 4	Description
1	AC connection cable
2	DC connection cable
3	Cover for control elements
4	Gas connection port (ACX35, ACX40 only)
5	Gas cartridge (ACX40G only)
6	Pilot light sight glass

5.2 Control elements

No. in fig. 3 , page 5	Description
1	Cooling level controller
2	Temperature controller
3	Ignition button

When the cooler is connected to the AC mains, the required cooling level is set using the cooling level controller (**1**).

- To **increase** the cooling level, turn the cooling level controller (**1**) clockwise.
For the maximum cooling level, turn the cooling level controller (**1**) clockwise as far as it will go (position “7”).
- To **decrease** the cooling level, turn the cooling level controller (**1**) anticlockwise.
- To switch the cooler off, turn the cooling level controller (**1**) anti-clockwise as far as it will go (position “0”).

When the cooler is connected to the DC power socket the cooling level **cannot** be adjusted.

When the cooler is operated with gas, the required cooling level is set using the temperature controller (**2**).

- ▶ To **increase** the cooling level, turn the temperature controller **(2)** clockwise.
For the maximum cooling level, turn the temperature controller **(2)** to the maximum position.
- ▶ To **decrease** the cooling level, turn the temperature controller **(2)** anticlockwise.
- ▶ To switch the cooler off, turn the temperature controller **(2)** anti-clockwise as far as it will go (position "O").

6 Operation



CAUTION! Health hazard!

Food may only be stored in its original packaging or in suitable containers.



NOTICE! Beware of damage

- Ensure that the items placed in the cooler are suitable for cooling to the selected temperature.
- Ensure that food or liquids in glass containers are not excessively refrigerated. Liquids expand when they freeze, and can therefore destroy glass containers.
- Ensure that your refrigerated container is well ventilated so that any heat created can dissipate. Otherwise proper functioning cannot be ensured. It is especially important not to cover the air vents.



NOTE

- Before starting your new cooler for the first time, you should clean it inside and outside with a damp cloth for hygienic reasons (see also chapter "Cleaning and maintenance" on page 23).
- Cool the cooler for about 24 hours before starting your journey using gas or electricity from the mains. This way your cooler will attain the required cooling level faster when you reach your destination.
- The cooling performance can be affected by:
 - the ambient temperature
 - the amount of food to be conserved
 - how often the lid is opened.
- A few water drops may form inside the cooler if it has been cooling for a lengthy period. This is normal because the moisture in the air condenses to water when the temperature in the cooler falls. The cooler is not defective. Wipe it out with a dry cloth if necessary.

- Press the control element cover (fig. **2** 3, page 4) to open it.
- To close the control element cover (fig. **2** 3, page 4), push it towards the lid until it latches.

6.1 Energy saving tips

- Choose a well ventilated installation location which is protected against direct sunlight.
- Allow warm food to cool down first before placing it in the cooling device to keep cool.
- Do not open the cooling device more often than necessary.
- Do not leave the cooling device open for longer than necessary.

6.2 Using the cooler in DC mode

- Place the cooler on a firm, level surface.
- Plug the DC connection cable (fig. **2** 2, page 4) into the cigarette lighter socket in the vehicle.
- ✓ The cooler starts cooling the interior.
- Pull out the DC connection cable to switch off the cooler.

6.3 Connecting to vehicle power



NOTE

If you connect the cooling device to the vehicle power, remember that you may have to turn on the ignition to supply it with power.

6.4 Using the cooler in AC mode

- Place the cooler on a firm, level surface.
- Plug the AC connection cable (fig. **2** 1, page 4) into the AC mains.
- Turn the cooling level controller (fig. **3** 1, page 5) to the required position.
- ✓ The cooler starts cooling the interior.

6.5 Connecting the ACX35 or ACX40 cooler to an external gas supply (DE, A, CH)



WARNING!

There must be a shut-off device in the gas line so that the cooler can be cut off separately. The shut-off device must be easily accessible.



NOTICE!

- This cooler may only be connected to the gas supply by a specialist in accordance with the applicable regulations and standards.
- Only use cylinders of propane or butane gas (not natural gas or city gas) with an approved pressure reduction valve and suitable head. Compare the pressure information on the type plate with the pressure information on the pressure regulator on the propane or butane gas cylinder.
- Observe the pressures which are permitted in your country. Use a DIN-DVGW-approved pressure regulator with a fixed setting:
 - The following applies for Germany: DIN EN 16129.
 - The following applies for Europe: EN 732, EN 521 and EN 437:2003+A1:2009.
- The cooler may only be operated with hose lines in a perfect technical condition. Replace any porous or damaged hose lines.



NOTE

- Use a gas pressure controller to match the gas pressure that is specified on the type plate.

Proceed as follows (fig. **4**, page 5):

- Place the cooler on a firm, level surface.



WARNING!

Only use approved hose lines (DIN 4815, part 2) with a maximum length of 1.5 m.

- Connect the hose line (**3**) to the gas connection port (**2**) of the cooler. To do this, use two open-end spanners (**1**) of 13 mm and 17 mm.
- Make sure that the hose line
 - is not crushed or kinked
 - is a safe distance from the burner
- Take the safety cap (**4**) off the safety coupling (**5**) of the gas port.

- Push the sleeve of the hose line (3) into the safety coupling (5) until you hear it latch.
- Open the valve (6) on the safety coupling (5).
- Open the valve of the gas cylinder or container.

**WARNING!**

Never check for leaks with an open flame or near sources of ignition.

- Check all connections with leak spray.
There are no leaks at the connections if **no** bubbles form.

Disconnecting the cooler from the external gas supply

- Close the valve (6) of the safety coupling (5) of the gas port.
- Disconnect the hose line (2) by pushing the sleeve towards the valve handle.
- Put the cap (4) onto the safety coupling (5).
- Turn the temperature controller (fig. 3 2, page 5) to "O".

6.6 Connecting the ACX35 or ACX40 cooler to a gas cylinder

Note the following country-specific gas type and gas pressure categories:

Country	Device categories
Denmark, Finland, Hungary, Norway, Poland, Sweden	I ₃ B/P – 30 mbar
Belgium, Czech Republic, France, Italy, The Netherlands, Portugal, Slovakia, Spain, United Kingdom	I ₃ + – 28 – 30 / 37 mbar
Austria, Germany, Luxembourg, Switzerland	I ₃ B/P – 50 mbar

- Connect the ACX35 or ACX40 cooler to the gas hose (fig. 6, page 7) and the gas cylinder (fig. 7, page 8).

**NOTICE!**

- After connecting the device to the gas supply, check the gas pipe for leakage at all the connection points (all threaded connections, hose connections with clamps, connection to the gas cylinder) using a foaming agent, e.g. with soap.
- In addition, perform a visual inspection of the hose (for cracks, weathering, damage).
- Replace any faulty hoses immediately with a new one.

6.7 Connecting a gas cartridge to the ACX40G cooler

**WARNING!**

- Observe the handling and storage instructions for the gas cartridge.
- Make sure that the ports on the cartridge and the cooler are free of dirt.

**NOTE**

The cooler is suitable for operation with self-sealing gas cartridges of the type CAMPINGAZ CP250.

- Push the gas cartridge up into the port on the cooler (fig. **5**, page 6).

**WARNING!**

Never check for leaks with an open flame or near sources of ignition.

- Check all connections with leak spray.
There are no leaks at the connections if **no** bubbles form.

Any time you move the cooler:

- take out the gas cartridge first.

6.8 Using the cooler in gas mode

- ▶ Turn the temperature controller (fig. **3** 2, page 5) to the maximum position.
- ▶ Press and hold the temperature controller.
- ▶ After 10 seconds, press the ignition button (fig. **3** 3, page 5) several times quickly in succession until the flame is lit.
- ✓ After ignition, you can see the flame in the sight glass (fig. **2** 6, page 4).
- ▶ Hold down the temperature controller for another 20 seconds.

6.9 Switching off the cooler

- ▶ Close off the gas valve on the device and on the gas cylinder

6.10 Defrosting the cooler



NOTICE!

Never use mechanical tools to remove ice or to loosen objects stuck to the device.



NOTE

Over time, frost builds up on the cooling fins inside the cooler. If this layer of frost is about 3 mm thick, you should defrost the cooler.

- ▶ Disconnect the voltage and gas supply.
- ▶ Empty the cooler.
- ▶ Put a cloth in the refrigerator compartment to absorb any excess water.
- ▶ Leave the lid open.
- ▶ Wipe the refrigerator compartments dry with a cloth.

7 Cleaning and maintenance

**WARNING!**

Always disconnect the device from the power supply before you clean and service it.

**NOTICE! Risk of damage**

- Never clean the cooler under running water or in dish water.
- Do not use abrasive cleaning agents or hard objects during cleaning as these can damage the cooler.

- Occasionally clean the device interior and exterior with a damp cloth.
- Make sure that the air inlet and outlet vents on the device are free of any dust and dirt, so that heat can be released and the device is not damaged.

8 Warranty

The statutory warranty period applies. If the product is defective, please contact the manufacturer's branch in your country (see the back of the instruction manual for the addresses) or your retailer.

For repair and guarantee processing, please include the following documents when you send in the device:

- A copy of the receipt with purchasing date
- A reason for the claim or description of the fault

9 Troubleshooting

Problem	Possible cause	Suggested remedy
The cooler does not work.	The cooler has not been set up properly.	Check if the device is horizontal. Check if the ventilation of the device is sufficient.
	The refrigerant circuit is defective.	This can only be repaired by an authorised repair centre.
IN DC mode: The cooler is not working (plug is inserted).	No voltage is flowing from the DC power socket in your vehicle.	The ignition must be switched on in most vehicles to supply current to the DC power socket.
	The DC socket is dirty. This results in a poor electrical contact.	If the plug of your cooler becomes very warm in the DC socket, either the socket must be cleaned or the plug has not been assembled correctly.
	The fuse of the DC plug has blown.	Replace the fuse of the DC plug (fig. 6 1, page 7) with one of the same rating.
	The vehicle fuse has blown.	Replace the vehicle fuse in the DC socket (usually 15 A) (Please refer to the operating manual of your vehicle).
In AC mode: The cooler is not working (plug is inserted).	No voltage present in the AC socket.	Try using another plug socket.
In gas mode: The cooler is not working (to cooler is connected to the gas).	The cooler is not properly connected to the gas.	Check if the gas supply is in full working order. Check if the valve on the gas bottle is open. Check if there is still gas in the bottle. Check if several energy sources are connected at the same time. Hold down the temperature controller longer to ignite the flame.
The cooler does not start up after a long period of inactivity.	–	Disconnect the device from the power supply, turn it upside down and wait for five minutes. Turn the cooler the right way up again and switch it on again.

10 Disposal

- Place the packaging material in the appropriate recycling waste bins wherever possible.



If you wish to finally dispose of the product, ask your local recycling centre or specialist dealer for details about how to do this in accordance with the applicable disposal regulations.

11 Technical data

	ACX35	ACX40	ACX40G
Nominal heat input Butane:	144 W		
Minimum heat input Butane:	123 W		-
Voltage:	12 V $\overline{=}$ 220 – 240 V \sim , 50/60 Hz		
Power consumption:	75 W	85 W	
Cooling capacity:	max. 30 °C below ambient temperature		
Gross capacity:	33 l	41 l	
Capacity:	31 l	40 l	
Power consumption:	1.4 kWh/24 h	1.6 kWh/24 h	
Climate class:	N		
Ambient temperature:	16 to 32 °C		
Noise emission:	>0 dB		
Refrigerant	159 g H ₂ O + 86 g NH ₃		
Dimensions (W x H x D) in mm:	see fig. 7 , page 8		
Weight:	Approx. 15 kg	Approx. 14 kg	Approx. 15 kg
Inspection/certification:			

	ACX35		ACX40	
	28 – 30 mbar, 30 mbar, 37 mbar	50 mbar	28 – 30 mbar, 30 mbar, 37 mbar	50 mbar
Ref. no.:	9105204280 9105204281 9105204282 9105204290	9105204279	9105204285 9105204287 9105204286 9105204288	9105204284
Gas consumption:	10.5 g/h	9.9 g/h	10.5 g/h	9.9 g/h

	ACX40G
Ref. no.:	9105204291 9105204289
Gas consumption:	10.5 g/h

Bitte lesen Sie diese Anleitung vor der Inbetriebnahme sorgfältig durch und bewahren Sie sie auf. Geben Sie sie im Falle einer Weitergabe des Kühlgerätes an den Nutzer weiter.

Der Hersteller haftet nicht für Schäden, die durch **nicht bestimmungsgemäßen Gebrauch** oder **falsche Bedienung** verursacht werden.

Inhaltsverzeichnis

1	Erklärung der Symbole	28
2	Sicherheitshinweise	28
3	Lieferumfang	32
4	Bestimmungsgemäßer Gebrauch	33
5	Technische Beschreibung	33
6	Bedienung	35
7	Reinigung und Pflege	41
8	Gewährleistung	42
9	Störungsbeseitigung	42
10	Entsorgung	43
11	Technische Daten	44

1 Erklärung der Symbole

**WARNUNG!**

Sicherheitshinweis: Nichtbeachtung kann zu Tod oder schwerer Verletzung führen.

**VORSICHT!**

Sicherheitshinweis: Nichtbeachtung kann zu Verletzungen führen.

**ACHTUNG!**

Nichtbeachtung kann zu Materialschäden führen und die Funktion des Produktes beeinträchtigen.

**HINWEIS**

Ergänzende Informationen zur Bedienung des Produktes.

2 Sicherheitshinweise

2.1 Allgemeine Sicherheit

**WARNUNG!**

- Öffnen Sie niemals das Absorberaggregat. Es steht unter hohem Druck und kann Verletzungen verursachen, wenn es geöffnet wird.
- Wenn das Kühlgerät sichtbare Beschädigungen aufweist, dürfen Sie es nicht in Betrieb nehmen.
- Wenn das Anschlusskabel dieses Kühlgerätes beschädigt wird, muss es durch den Hersteller, seinen Kundendienst oder eine ähnlich qualifizierte Person ersetzt werden, um Gefährdungen zu vermeiden.
- Reparaturen an diesem Kühlgerät dürfen nur von Fachkräften durchgeführt werden. Durch unsachgemäße Reparaturen können erhebliche Gefahren entstehen.
- Dieses Kühlgerät kann von Kindern ab 8 Jahren und darüber sowie von Personen mit verringerten physischen, sensorischen oder mentalen Fähigkeiten oder Mangel an Erfahrung und Wissen benutzt werden, wenn sie beaufsichtigt oder bezüglich des sicheren Gebrauchs des Kühlgerätes unterwiesen wurden und die daraus resultierenden Gefahren verstehen.

- Reinigung und Benutzer-Wartung dürfen nicht von Kindern ohne Beaufsichtigung durchgeführt werden.
- Kinder dürfen nicht mit dem Kühlgerät spielen.
- Kinder sollten beaufsichtigt werden, um sicherzustellen, dass sie nicht mit dem Kühlgerät spielen.
- Verwahren und benutzen Sie das Kühlgerät außerhalb der Reichweite von Kindern unter 8 Jahren.
- Lagern Sie keine explosionsfähigen Stoffe wie z. B. Sprühdosen mit brennbarem Treibgas im Kühlgerät.



VORSICHT!

- Trennen Sie das Kühlgerät von der Strom- und Gasversorgung
 - vor jeder Reinigung und Pflege
 - nach jedem Gebrauch
- Lebensmittel dürfen nur in Originalverpackungen oder geeigneten Behältern eingelagert werden.



ACHTUNG!

- Öffnen Sie auf keinen Fall den Kühlkreislauf.
- Das Kältemittel im Kühlkreislauf ist leicht entflammbar. Bei einer Beschädigung des Kühlkreislaufs:
 - Vermeiden Sie offenes Feuer und Zündfunken.
 - Lüften Sie den Raum gut.
- Vergleichen Sie die Spannungsangabe auf dem Typenschild mit der vorhandenen Energieversorgung.
- Schließen Sie das Kühlgerät nur wie folgt an:
 - mit dem Gleichstrom-Anschlusskabel an die Gleichstrom-Bordsteckdose (z. B. Zigarettenanzünder) im Fahrzeug
 - oder mit dem Wechselstrom-Anschlusskabel an das Wechselstromnetz
- Ziehen Sie den Stecker nie am Anschlusskabel aus der Steckdose.
- Wenn das Kühlgerät an der Gleichstrom-Steckdose angeschlossen ist: Klemmen Sie Ihr Kühlgerät und andere Verbraucher von der Fahrzeugbatterie ab, bevor Sie ein Schnellladegerät anschließen.
- Wenn das Kühlgerät an der Gleichstrom-Steckdose angeschlossen ist: Trennen Sie die Verbindung oder schalten Sie das Kühlgerät aus, wenn Sie den Motor ausschalten. Sonst kann die Fahrzeugbatterie entladen werden.

- Das Kühlgerät ist nicht geeignet für den Transport ätzender oder lösungsmittelhaltiger Stoffe.
- Dieses Kühlgerät enthält in der Isolierung brennbares Zyklopentan. Die Gase im Isolationsmaterial erfordern ein besonderes Entsorgungsverfahren. Führen Sie das Kühlgerät am Ende seiner Lebensdauer einer ordnungsgemäßen Entsorgung zu.

2.2 Sicherheit beim Betrieb des Kühlgerätes



VORSICHT!

- Achten Sie vor der Inbetriebnahme darauf, dass Zuleitung und Stecker trocken sind.
- Betreiben Sie das Gerät nur an gut belüfteten Orten.
- Betreiben Sie das Gerät nur unter Aufsicht.
- Betreiben Sie das Kühlgerät immer nur mit einer Energiequelle.



ACHTUNG!

- Benutzen Sie keine Elektrogeräte innerhalb des Kühlgerätes, außer wenn diese Elektrogeräte vom Hersteller dafür empfohlen werden.
- Stellen Sie das Kühlgerät nicht in der Nähe von offenen Flammen oder anderen Wärmequellen (Heizung, starke Sonneneinstrahlung, Gasöfen usw.) ab.
- **Überhitzungsgefahr!**
Achten Sie stets darauf, dass beim Betrieb entstehende Wärme ausreichend abgeführt werden kann. Sorgen Sie dafür, dass das Kühlgerät in ausreichendem Abstand zu Wänden oder Gegenständen steht, sodass die Luft zirkulieren kann.
- Achten Sie darauf, dass die Lüftungsöffnungen nicht abgedeckt werden.
Halten Sie die Mindestabstände ein (Abb. **1**, Seite 3).
- Füllen Sie keine Flüssigkeiten oder Eis in den Innenbehälter.
- Tauchen Sie das Kühlgerät nie in Wasser.
- Schützen Sie das Kühlgerät und die Kabel vor Hitze und Nässe.
- Damit das Kältemittel ordnungsgemäß zirkulieren kann, darf das Kühlgerät einen Neigungswinkel von 3° nicht überschreiten. Stellen Sie das Kühlgerät mit Hilfe einer Wasserwaage waagrecht ab.

2.3 Sicherheit beim Betrieb mit Gleichstrom



ACHTUNG!

- Wählen Sie den Betrieb mit Gleichstrom (Batteriebetrieb) nur, wenn Sie einen Batteriewächter verwenden oder der Fahrzeuggenerator ausreichende Spannung liefert.
- Verwenden Sie nur Kabel mit dem entsprechenden Kabelquerschnitt.

2.4 Sicherheit beim Betrieb mit Wechselstrom



ACHTUNG!

- Vergleichen Sie die Spannungsangabe auf dem Typenschild mit der vorhandenen Energieversorgung.
- Schließen Sie das Kühlgerät nur mit dem zugehörigen Anschlusskabel an das Wechselstromnetz an.
- Ziehen Sie den Stecker nie am Anschlusskabel aus der Steckdose.

2.5 Sicherheit beim Betrieb mit Gas



WARNUNG!

- Das Kühlgerät darf beim Betrieb mit Gas **ausschließlich** im Freien verwendet werden.
- Betreiben Sie das Kühlgerät nie mit Gas
 - in Straßenfahrzeugen, Wasserfahrzeugen oder geschlossenen Räumen
 - an Tankstellen
 - auf Fähren
- **Erstickungsgefahr!**
Der Betrieb des Geräts mit Gas in einem unbelüfteten Bereich führt zu Sauerstoffmangel in diesem Bereich.
- Stellen Sie sicher, dass der Bereich ausreichend belüftet ist, während das Gerät in Betrieb ist.
- Verwenden Sie das Gerät nicht in unbelüfteten Bereichen wie geschlossene Räume, Zelte, Kraftfahrzeuge, Wohnmobile, Wohnwagen, Schiffe, Yachten, Boote und LKW-Kabinen.
- Stellen Sie das Gerät nicht in der Nähe von entzündlichen Materialien (Papier, trockenes Laub, Textilien) auf.
- Halten Sie brennbare Gegenstände vom Brenner fern.

- Das Kühlgerät darf **ausschließlich** mit dem auf dem Typenschild angegebenen Druck betrieben werden. Verwenden Sie einen festeingestellten DIN-DVGW-anerkannten Druckregler gemäß DIN EN 16129.
- Bewahren Sie Flüssiggasflaschen **niemals** an unbelüfteten Plätzen oder unterhalb Bodenniveau (trichterförmige Erdmulden) auf.
- Schützen Sie Flüssiggasflaschen vor direkter Sonneneinstrahlung. Die Temperatur darf 50 °C nicht überschreiten.
- Prüfen Sie das Kühlgerät niemals mit einer offenen Flamme auf Undichtigkeit.
- Bei Gasgeruch:
 - Schließen Sie den Absperrhahn der Gasversorgung und das Flaschenventil.
 - Betätigen Sie keine elektrischen Schalter.
 - Löschen Sie offene Flammen.
 - Lassen Sie die Gasanlage von einem Fachbetrieb prüfen.



ACHTUNG!

- Verwenden Sie nur Propan- oder Butangas (kein Erdgas).

3 Lieferumfang

Menge	Bezeichnung
1	Absorber-Kühlbox
1	Schale mit Deckel zum Herstellen von Eiswürfeln
1	Bedienungsanleitung

4 Bestimmungsgemäßer Gebrauch

Die Absorber-Kühlbox eignet sich zum Kühlen von Lebensmitteln.

Die Kühlbox kann wie mit Gleichstrom, Wechselstrom oder Gas betrieben werden.

Das Gerät ist auch für Camping-Zwecke geeignet. Das Gerät darf keinem Regen ausgesetzt werden.



VORSICHT! Gesundheitsgefahr!

Prüfen Sie bitte, ob die Kühlleistung des Gerätes den Anforderungen der Lebensmittel entspricht, die Sie kühlen wollen.

5 Technische Beschreibung

Das Kühlgerät ist für den mobilen Einsatz geeignet. Es kann Waren bis max. 30 °C unter Umgebungstemperatur abkühlen oder kühl halten.

Das Kühlgerät darf im Gas-Betrieb nur im Freien genutzt werden.

Das Kühlgerät darf im elektrischen Betrieb auch in geschlossenen Räumen genutzt werden.

5.1 Anschlüsse

Pos. in Abb. 2 , Seite 4	Bezeichnung
1	Wechselstrom-Anschlusskabel
2	Gleichstrom-Anschlusskabel
3	Abdeckung für Bedienelemente
4	Gas-Anschlussstutzen (nur ACX 35, ACX 40)
5	Gaskartusche (nur ACX 40G)
6	Flammensichtfenster

5.2 Bedienelemente

Pos. in Abb. 3 , Seite 5	Bezeichnung
1	Kühlleistungsregler
2	Temperaturregler
3	Zündtaster

Wenn das Kühlgerät am Wechselstromnetz angeschlossen ist, wird die gewünschte Kühlleistung mit dem Kühlleistungsregler **(1)** eingestellt:

- ▶ Um die Kühlleistung zu **erhöhen**, drehen Sie den Kühlleistungsregler **(1)** im Uhrzeigersinn.
Für die maximale Kühlleistung drehen Sie den Kühlleistungsregler **(1)** bis zum Anschlag im Uhrzeigersinn (Position „7“).
- ▶ Um die Kühlleistung zu **verringern**, drehen Sie den Kühlleistungsregler **(1)** gegen den Uhrzeigersinn.
- ▶ Um das Kühlgerät auszuschalten, drehen Sie den Kühlleistungsregler **(1)** bis zum Anschlag gegen den Uhrzeigersinn (Position „0“).

Wenn das Kühlgerät an der Gleichstromsteckdose angeschlossen ist, kann die Kühlleistung **nicht** eingestellt werden.

Wenn das Kühlgerät mit Gas betrieben wird, wird die gewünschte Kühlleistung mit dem Temperaturregler **(2)** eingestellt.

- ▶ Um die Kühlleistung zu **erhöhen**, drehen Sie den Temperaturregler **(2)** im Uhrzeigersinn.
Für die maximale Kühlleistung drehen Sie den Temperaturregler **(2)** auf die höchste Einstellung.
- ▶ Um die Kühlleistung zu **verringern**, drehen Sie den Temperaturregler **(2)** gegen den Uhrzeigersinn.
- ▶ Um das Kühlgerät auszuschalten, drehen Sie den Temperaturregler **(2)** bis zum Anschlag im Uhrzeigersinn (Position „0“).

6 Bedienung



VORSICHT! Gesundheitsgefahr!

Lebensmittel dürfen nur in Originalverpackungen oder geeigneten Behältern eingelagert werden.



ACHTUNG! Beschädigungsgefahr!

- Achten Sie darauf, dass sich nur Gegenstände bzw. Waren im Kühlgerät befinden, die auf die gewählte Temperatur gekühlt werden dürfen.
- Achten Sie darauf, dass Sie Getränke oder Speisen in Glasbehältern nicht zu stark abkühlen. Beim Gefrieren dehnen sich Getränke oder flüssige Speisen aus. Dadurch können die Glasbehälter zerstört werden.
- Achten Sie darauf, dass das Kühlgerät gut belüftet wird, damit die entzogene Wärme abgeführt werden kann, andernfalls ist eine ordnungsgemäße Funktion nicht gewährleistet. Insbesondere dürfen die Lüftungsöffnungen nicht abgedeckt werden.



HINWEIS

- Bevor Sie das neue Kühlgerät in Betrieb nehmen, sollten Sie es aus hygienischen Gründen innen und außen mit einem feuchten Tuch reinigen (siehe auch Kapitel „Reinigung und Pflege“ auf Seite 41).
- Kühlen Sie das Kühlgerät vor Reisebeginn etwa 24 Stunden am Netz oder mit Gas vor. Dadurch haben Sie am Einsatzort schneller die gewünschte Kühlleistung.
- Die Kühlleistung kann beeinflusst werden von
 - der Umgebungstemperatur
 - der Menge der zu konservierenden Lebensmittel
 - der Häufigkeit des Deckelöffnens
- Ein paar Wassertropfen können sich im Inneren des Kühlgerätes absetzen, wenn es längere Zeit gekühlt hat. Dies ist normal, weil die Feuchtigkeit in der Luft zu Wassertropfen kondensiert, wenn die Temperatur im Kühlgerät abkühlt. Das Kühlgerät ist nicht defekt. Wischen Sie es ggf. mit einem trockenen Tuch aus.

- Drücken Sie auf die Abdeckung (Abb. **2** 3, Seite 4) für die Bedienelemente, um sie zu öffnen.
- Drücken Sie die Abdeckung (Abb. **2** 3, Seite 4) für die Bedienelemente in Richtung Deckel, bis sie einrastet, um sie zu schließen.

6.1 Tipps zum Energiesparen

- Wählen Sie einen gut belüfteten und vor Sonnenstrahlen geschützten Einsatzort.
- Lassen Sie warme Speisen erst abkühlen, bevor Sie sie im Kühlgerät kühl halten.
- Öffnen Sie das Kühlgerät nicht häufiger als nötig.
- Lassen Sie das Kühlgerät nicht länger offen als nötig.

6.2 Kühlbox im Gleichstrom-Betrieb verwenden

- Stellen Sie das Kühlgerät auf eine feste, ebene Unterlage.
- Schließen Sie das Gleichstrom-Anschlusskabel (Abb. **2** 2, Seite 4) an die Gleichstromsteckdose im Fahrzeug an.
- ✓ Das Kühlgerät startet mit dem Kühlen des Innenraums.
- Ziehen Sie das Gleichstrom-Anschlusskabel heraus, um das Kühlgerät außer Betrieb zu nehmen.

6.3 An Bordnetz anschließen



HINWEIS

Wenn Sie das Kühlgerät an das Bordnetz Ihres Fahrzeugs anschließen, beachten Sie, dass Sie ggf. die Zündung einschalten müssen, damit das Kühlgerät mit Strom versorgt wird.

6.4 Kühlbox im Wechselstrom-Betrieb verwenden

- Stellen Sie das Kühlgerät auf eine feste, ebene Unterlage.
- Schließen Sie das Wechselstrom-Anschlusskabel (Abb. **2** 1, Seite 4) an das Wechselstromnetz an.
- Drehen Sie den Kühlleistungsregler (Abb. **3** 1, Seite 5) in die gewünschte Stellung.
- ✓ Das Kühlgerät startet mit dem Kühlen des Innenraums.

6.5 Kühlbox ACX 35, ACX40 an eine externe Gasversorgung anschließen (DE, A, CH)



WARNUNG!

Das Kühlgerät muss durch eine Absperrereinrichtung in der Gasleitung separat absperrbar sein. Die Absperrereinrichtung muss leicht zugänglich sein.



ACHTUNG!

- Das Kühlgerät darf nur von einer Fachkraft gemäß den geltenden Vorschriften und Normen an die Gasversorgung angeschlossen werden.
- Verwenden Sie nur Propan- oder Butangasflaschen (kein Erdgas oder Stadtgas) mit geprüfem Druckreduzierventil und passendem Kopfstück. Vergleichen Sie die Druckangabe auf dem Typenschild mit der Druckangabe auf dem Druckregler der Propan- oder Butangasflasche.
- Beachten Sie die in Ihrem Land zugelassenen Drücke. Verwenden Sie einen festeingestellten DIN-DVGW-anerkannten Druckregler:
 - Für Deutschland gilt: DIN EN 16129.
 - Für Europa gilt: EN 732, EN 521 und EN 437:2003+A1:2009.
- Das Kühlgerät darf nur mit technisch einwandfreien Schlauchleitungen betrieben werden. Ersetzen Sie poröse oder beschädigte Schlauchleitungen umgehend.



HINWEIS

- Verwenden Sie einen Gasdruckregler entsprechend dem Gasdruck, der auf dem Typenschild angegeben ist.

Gehen Sie wie folgt vor (Abb. **4**, Seite 5):

- Stellen Sie das Kühlgerät auf eine feste, ebene Unterlage.



WARNUNG!

Verwenden Sie nur geprüfte Schlauchleitungen (DIN 4815 Teil 2) mit einer maximalen Länge von 1,5 m.

- Verbinden Sie die Schlauchleitung (3) mit dem Gasanschlusssutzen (2) des Kühlgeräts.
Verwenden Sie hierzu zwei Gabelschlüssel (1) mit den Schlüsselweiten 13 mm und 17 mm.
- Achten Sie darauf, dass die Schlauchleitung
 - nicht eingeklemmt oder abgeknickt wurde
 - in sicherem Abstand vom Brenner liegt
- Ziehen Sie die Schutzkappe (4) von der Sicherheits-Anschlusskupplung (5) des Gasanschlusses.
- Drücken Sie die Stecktülle der Schlauchleitung (3) in die Sicherheits-Anschlusskupplung (5), bis sie hörbar einrastet.
- Öffnen Sie das Ventil (6) an der Sicherheits-Anschlusskupplung (5).
- Öffnen Sie das Gasflaschen- oder Gasbehälterventil.

**WARNUNG!**

Prüfen Sie die Dichtheit niemals bei offener Flamme oder in der Nähe von Zündquellen.

- Prüfen Sie alle Verbindungen mit Lecksuchspray auf Dichtheit.
Die Verbindungsstellen sind dicht, wenn sich **keine** Bläschen bilden.

Kühlbox von externer Gasversorgung trennen

- Schließen Sie das Ventil (6) der Sicherheits-Anschlusskupplung (5) des Gasanschlusses.
- Kuppeln Sie die Schlauchleitung (2) ab, indem Sie die Schiebehülse in Richtung Armaturengriff schieben.
- Stecken Sie die Schutzkappe (4) auf die Sicherheits-Anschlusskupplung (5).
- Drehen Sie den Temperaturregler (Abb. 3 2, Seite 5) auf „O“.

6.6 Kühlbox ACX 35, ACX40 an eine Gasflasche anschließen

Beachten Sie folgende landesspezifische Kategorien zu Gasart und Gasdruck:

Land	Geräte Kategorien
Dänemark, Finnland, Ungarn, Norwegen, Polen, Schweden	I ₃ B/P – 30 mbar
Belgien, Tschechische Republik, Frankreich, Italien, Niederlande, Portugal, Slowakei, Spanien, Vereinigtes Königreich	I ₃ + – 28 bis 30 / 37 mbar
Österreich, Deutschland, Luxemburg, Schweiz	I ₃ B/P – 50 mbar

- Schließen Sie die Kühlbox ACX35, ACX40 an den Gasschlauch (Abb. **6**, Seite 7) und an die Gasflasche (Abb. **7**, Seite 8) an.



ACHTUNG!

- Prüfen Sie nach dem Anschluss des Geräts an die Gasversorgung die Dichtheit der Gasleitung an allen Verbindungsstellen (alle Gewindeverbindungen, Schlauchanschlussverbindungen mit Schellen, Verbindung mit der Gasflasche) mit einem schaubildenden Mittel, z. B. mit Seifenlauge.
- Führen Sie auch eine Sichtprüfung des Schlauches durch (ob keine Risse, keine Verwitterung, keine Beschädigung vorhanden sind).
- Tauschen Sie einen fehlerhaften Schlauch sofort gegen einen neuen.

6.7 Gaskartusche an Kühlbox ACX40G anschließen



WARNUNG!

- Beachten Sie die Behandlungs- und Lagerungsanweisungen der Gaskartusche.
- Stellen Sie sicher, dass die Anschlüsse der Gaskartusche und des Kühlgeräts frei von Verschmutzungen sind.



HINWEIS

Das Kühlgerät ist zum Betrieb mit selbstsichernden Gaskartuschen des Typs CAMPINGAZ CP250 geeignet.

- Drücken Sie die Gaskartusche von unten in den Anschluss des Kühlgeräts (Abb. **5**, Seite 6).



WARNUNG!

Prüfen Sie die Dichtheit niemals bei offener Flamme oder in der Nähe von Zündquellen.

- Prüfen Sie alle Verbindungen mit Lecksuchspray auf Dichtheit. Die Verbindungsstellen sind dicht, wenn sich **keine** Bläschen bilden.

Vor jeder Bewegung des Kühlgeräts:

- Entnehmen Sie die Gaskartusche.

6.8 Kühlbox im Gas-Betrieb verwenden

- Drehen Sie den Temperaturregler (Abb. **3** 2, Seite 5) auf die höchste Einstellung.
- Drücken und halten Sie den Temperaturregler gedrückt.
- Drücken Sie nach ca. 10 Sekunden den Zündtaster (Abb. **3** 3, Seite 5) mehrmals schnell hintereinander, bis die Flamme zündet.
- ✓ Nach erfolgreicher Zündung ist die Flamme im Flammensichtfenster zu sehen (Abb. **2** 6, Seite 4).
- Halten Sie den Temperaturregler weitere 20 Sekunden gedrückt.

6.9 Kühlbox ausschalten

- Drehen Sie das Gasventil am Gerät und an der Gasflasche zu.

6.10 Kühlbox abtauen



ACHTUNG!

Verwenden Sie keine mechanischen Werkzeuge zum Entfernen von Eisschichten oder zum Lösen festgefrorener Gegenstände.



HINWEIS

Mit der Zeit bildet sich Reif auf den Kühlrippen im Inneren des Kühlgerätes. Wenn diese Reifschicht etwa 3 mm beträgt, sollten Sie das Kühlgerät abtauen.

- ▶ Unterbrechen Sie die Spannungs- und Gaszufuhr.
- ▶ Entleeren Sie das Kühlgerät.
- ▶ Legen Sie ein Tuch in den Kühlraum, um überschüssiges Wasser aufzufangen.
- ▶ Lassen Sie den Deckel geöffnet.
- ▶ Wischen Sie den Kühlraum mit einem Tuch trocken.

7 Reinigung und Pflege



WARNUNG!

Trennen Sie vor jeder Reinigung und Pflege das Kühlgerät von der Stromversorgung.



ACHTUNG! Beschädigungsgefahr!

- Reinigen Sie das Kühlgerät niemals unter fließendem Wasser oder gar im Spülwasser.
- Verwenden Sie zur Reinigung keine scharfen Reinigungsmittel oder harten Gegenstände, da diese das Kühlgerät beschädigen können.

- ▶ Reinigen Sie das Kühlgerät innen und außen gelegentlich mit einem feuchten Tuch.
- ▶ Stellen Sie sicher, dass die Be- und Entlüftungsöffnungen des Kühlgerätes frei von Staub und Verunreinigungen sind, damit die beim Betrieb entstehende Wärme abgeführt werden kann und das Kühlgerät keinen Schaden nimmt.

8 Gewährleistung

Es gilt die gesetzliche Gewährleistungsfrist. Sollte das Produkt defekt sein, wenden Sie sich bitte an die Niederlassung des Herstellers in Ihrem Land (Adressen siehe Rückseite der Anleitung) oder an Ihren Fachhändler.

Zur Reparatur- bzw. Gewährleistungsbearbeitung müssen Sie folgende Unterlagen mitschicken:

- eine Kopie der Rechnung mit Kaufdatum,
- einen Reklamationsgrund oder eine Fehlerbeschreibung.

9 Störungsbeseitigung

Störung	Mögliche Ursache	Lösungsvorschlag
Das Kühlgerät funktioniert nicht.	Die Kühlbox wurde nicht korrekt aufgestellt.	Kontrollieren Sie, ob das Gerät waagrecht steht. Kontrollieren Sie, ob eine ausreichende Belüftung gewährleistet ist.
	Der Kühlkreis ist defekt.	Die Reparatur kann nur von einem zugelassenen Kundendienstbetrieb durchgeführt werden.
Bei Gleichstrom-Betrieb: Das Kühlgerät funktioniert nicht (Stecker ist eingesteckt).	An der Gleichstromsteckdose im Fahrzeug liegt keine Spannung an.	In den meisten Fahrzeugen muss der Zündschalter eingeschaltet sein, damit die Gleichstromsteckdose Spannung hat.
	Die Fassung der Gleichstromsteckdose ist verschmutzt. Das hat einen schlechten elektrischen Kontakt zur Folge.	Wenn der Stecker in der Gleichstromsteckdose sehr warm wird, muss entweder die Fassung gereinigt werden, oder der Stecker ist möglicherweise nicht richtig zusammengebaut.
	Die Sicherung des Gleichstromsteckers ist durchgebrannt.	Tauschen Sie die Sicherung (Abb. 6 1, Seite 7) des Gleichstromsteckers durch eine gleichwertige Sicherung aus.
	Die Fahrzeug-Sicherung ist durchgebrannt.	Tauschen Sie die Fahrzeug-Sicherung der Gleichstromsteckdose (üblicherweise 15 A) aus (Beachten Sie dazu die Bedienungsanleitung zu Ihrem KFZ).

Störung	Mögliche Ursache	Lösungsvorschlag
Bei Wechselstrom-Betrieb: Das Kühlgerät funktioniert nicht (Stecker ist eingesteckt).	Die Wechselstrom-steckdose führt keine Spannung.	Versuchen Sie es an einer anderen Steckdose.
Bei Gas-Betrieb: Das Kühlgerät funktioniert nicht (Kühlgerät ist an Gas angeschlossen).	Das Kühlgerät ist nicht korrekt am Gas angeschlossen.	Kontrollieren Sie, ob die einwandfreie Gasversorgung gewährleistet ist. Kontrollieren Sie, ob das Ventil der Gasflasche geöffnet ist. Kontrollieren Sie, ob noch Gas in der Flasche ist. Kontrollieren Sie, ob mehrere Energiequellen gleichzeitig angeschlossen sind. Halten Sie den Temperaturregler zum Entzünden länger gedrückt.
Das Kühlgerät läuft nach längerem Nichtgebrauch nicht mehr an.	–	Stellen Sie das Kühlgerät ohne angeschlossene Energiequellen auf den Kopf und warten Sie etwa fünf Minuten. Drehen Sie das Kühlgerät wieder um und schalten Sie es erneut ein.

10 Entsorgung

- Geben Sie das Verpackungsmaterial möglichst in den entsprechenden Recycling-Müll.



Wenn Sie das Produkt endgültig außer Betrieb nehmen, informieren Sie sich bitte beim nächsten Recyclingcenter oder bei Ihrem Fachhändler über die zutreffenden Entsorgungsvorschriften.

11 Technische Daten

	ACX35	ACX40	ACX40G
Nennwärmebelastung Butan:	144 W		
Minimalwärmebelastung Butan:	123 W		–
Anschlussspannung:	12 V=== 220 – 240 V~, 50/60 Hz		
Leistungsaufnahme:	75 W	85 W	
Kühlleistung:	max. 30 °C unter Umgebungstemperatur		
Bruttinhalt:	33 l	41 l	
Nutzinhalt:	31 l	40 l	
Energieverbrauch:	1,4 kWh/24 h	1,6 kWh/24 h	
Klimaklasse:	N		
Umgebungstemperatur:	16 bis 32 °C		
Schallemissionen:	0 dB		
Kältemittel	159 g H ₂ O + 86 g NH ₃		
Abmessungen (B x H x T) in mm:	siehe Abb. 8 , Seite 9		
Gewicht:	ca. 15 kg	ca. 14 kg	ca. 15 kg
Prüfung/Zertifikat:			

	ACX35		ACX40	
	28 – 30 mbar, 30 mbar, 37 mbar	50 mbar	28 – 30 mbar, 30 mbar, 37 mbar	50 mbar
Art.-Nr.:	9105204280 9105204281 9105204282 9105204290	9105204279	9105204285 9105204287 9105204286 9105204288	9105204284
Gasverbrauch:	10,5 g/h	9,9 g/h	10,5 g/h	9,9 g/h

	ACX40G
Art.-Nr.:	9105204291 9105204289
Gasverbrauch:	10,5 g/h

Veillez lire ce manuel avec attention avant de mettre l'appareil en service. Conservez ensuite ce manuel. En cas de passer de l'appareil, veuillez le transmettre au nouvel acquéreur.

Le fabricant décline toute responsabilité en cas de dommages provoqués par une **utilisation non-conforme de l'appareil** ou **par des erreurs de manipulation**.

Sommaire

1	Symboles	47
2	Consignes de sécurité	47
3	Contenu de la livraison	51
4	Usage conforme	52
5	Description technique	52
6	Utilisation	54
7	Entretien et nettoyage	60
8	Garantie	60
9	Guide de dépannage	61
10	Retraitement	62
11	Caractéristiques techniques	63

1 Symboles

**AVERTISSEMENT !**

Consigne de sécurité : le non-respect de ces consignes peut entraîner la mort ou de graves blessures.

**ATTENTION !**

Consigne de sécurité : le non-respect de ces consignes peut entraîner des blessures.

**AVIS !**

Le non-respect de ces consignes peut entraîner des dommages matériels et des dysfonctionnements du produit.

**REMARQUE**

Informations complémentaires sur l'utilisation du produit.

2 Consignes de sécurité

2.1 Consignes générales de sécurité

**AVERTISSEMENT !**

- N'ouvrez jamais l'unité de l'absorbeur. Il se trouve sous haute pression et peut provoquer des blessures s'il est ouvert.
- Si l'appareil de réfrigération présente des dégâts visibles, vous ne devez pas le mettre en service.
- Si le câble de raccordement de l'appareil de réfrigération est endommagé, il doit être remplacé par le fabricant, son service après-vente ou une personne de qualification similaire, afin d'éviter tout danger.
- Seul un professionnel est habilité à réparer l'équipement de réfrigération. Toute réparation mal effectuée risquerait d'entraîner de graves dangers.

- Les enfants âgés de 8 ans et plus ainsi que les personnes ayant des déficiences physiques, sensorielles ou mentales ou un manque d'expérience ou de connaissances peuvent utiliser cet appareil de réfrigération à condition d'être sous surveillance ou d'avoir reçu des instructions concernant l'utilisation de l'appareil en toute sécurité et de comprendre les dangers qui en résultent.
- Le nettoyage et la maintenance ne doivent pas être effectués par des enfants sans surveillance.
- Les enfants ne doivent pas jouer avec cet appareil de réfrigération.
- Les enfants doivent être surveillés pour s'assurer qu'ils ne jouent pas avec l'appareil de réfrigération.
- Placez et utilisez l'appareil de réfrigération hors de portée des enfants de moins de 8 ans.
- Ne stockez aucune substance explosive (comme des aérosols contenant des gaz combustibles, par exemple) dans l'équipement de réfrigération

**ATTENTION !**

- Débranchez l'appareil de réfrigération de l'alimentation électrique et de gaz
 - avant tout nettoyage et entretien
 - après chaque utilisation
- Les produits alimentaires doivent être conservés dans leurs emballages originaux ou dans des récipients appropriés.

**AVIS !**

- N'ouvrez jamais le circuit frigorifique.
- Le réfrigérant du circuit frigorifique s'enflamme facilement.
En cas d'endommagement du circuit frigorifique :
 - évitez tout feu ouvert et toute étincelle.
 - Aérez bien la pièce.
- Vérifiez que la tension indiquée sur la plaque signalétique correspond à l'alimentation électrique dont vous disposez.
- Raccordez l'appareil uniquement comme indiqué ci-dessous :
 - avec le câble de raccordement au courant continu à la prise de bord du véhicule (par ex. allume-cigares)
 - ou en branchant le câble de raccordement de courant alternatif au secteur de courant alternatif
- Ne tirez jamais sur le câble de raccordement pour sortir la fiche de la prise.

- Si l'appareil de réfrigération est raccordé à la prise de courant continu : débranchez de la batterie du véhicule l'appareil de réfrigération et les autres consommateurs d'énergie avant de raccorder un chargeur rapide.
- Si l'appareil de réfrigération est raccordé à la prise de courant continu : débranchez ou éteignez l'appareil de réfrigération lorsque vous éteignez le moteur. Dans le cas contraire, il se pourrait que la batterie se décharge.
- N'utilisez pas l'appareil de réfrigération pour le transport de produits corrosifs ou de solvants !
- Cet appareil de réfrigération contient du cyclopentane inflammable dans son isolation. Les gaz contenus dans le matériau d'isolation exigent une procédure de retraitement particulière. Une fois que vous ne l'utilisez plus, recyclez l'appareil de réfrigération de manière conforme.

2.2 Sécurité d'exploitation de l'appareil de réfrigération



ATTENTION !

- Avant de mettre l'appareil en service, assurez-vous que la ligne d'alimentation électrique et le connecteur sont secs.
- N'utilisez l'appareil que dans des lieux bien aérés.
- Faites fonctionner l'appareil uniquement sous surveillance.
- Faites toujours fonctionner l'appareil de réfrigération avec une seule source d'énergie.



AVIS !

- N'exploitez aucun appareil électrique à l'intérieur de l'appareil de réfrigération, sauf si le fabricant le recommande.
- Ne placez pas l'appareil de réfrigération près de flammes ou d'autres sources de chaleur (chauffage, rayons solaires, fours à gaz, etc.).
- **Risque de surchauffe !**
Veillez toujours à ce que la chaleur produite lors du fonctionnement puisse se dissiper suffisamment. Veillez à ce que l'appareil de réfrigération se trouve à distance suffisante des murs ou des objets, de sorte que l'air puisse circuler.
- Assurez-vous que les ouvertures d'aération ne sont pas recouvertes. Respectez les intervalles minimum (fig. **1**, page 3).
- Ne remplissez pas le bac intérieur de substances liquides ou de glace.

- Ne plongez jamais l'appareil de réfrigération dans l'eau.
- Tenez l'appareil de réfrigération et les câbles à l'abri de la chaleur et de l'humidité.
- Pour que le frigorigène puisse circuler correctement, l'appareil de réfrigération ne doit pas dépasser un angle d'inclinaison de 3°. Pour ce faire, placez l'appareil de réfrigération à l'horizontale à l'aide d'un niveau à bulle.

2.3 Sécurité lors du fonctionnement au courant continu



AVIS !

- Le fonctionnement au courant continu (batterie) doit être choisi uniquement en cas d'utilisation d'un protecteur de batterie ou si le générateur fournit une tension suffisante.
- Utilisez uniquement des câbles du diamètre correspondant.

2.4 Sécurité lors du fonctionnement au courant alternatif



AVIS !

- Vérifiez que la tension indiquée sur la plaque signalétique correspond à l'alimentation électrique dont vous disposez.
- Pour raccorder l'appareil de réfrigération au courant alternatif, veuillez utiliser exclusivement le câble de raccordement correspondant.
- Ne tirez jamais sur le câble de raccordement pour sortir la fiche de la prise.

2.5 Sécurité lors du fonctionnement au gaz



AVERTISSEMENT !

- S'il fonctionne au gaz, l'appareil de réfrigération doit être utilisé **exclusivement** à l'air libre.
- Ne faites jamais fonctionner l'appareil de réfrigération au gaz
 - dans des véhicules automobiles ou aquatiques, ni dans des aires fermées
 - dans les stations-services
 - sur des ferrys
- **Risque d'étouffement !**
L'exploitation de l'appareil au gaz entraîne un manque d'oxygène dans des aires non aérées.

- Assurez-vous que l'aire soit suffisamment aérée pendant le fonctionnement de l'appareil.
- N'utilisez pas l'appareil dans des aires non aérées telles que des pièces fermées, des tentes, des véhicules, des camping-cars, des caravanes, des navires, bateaux et yachts, ou encore des cabines de poids lourds.
- Ne placez pas l'appareil à proximité de matériaux inflammables (papier, feuilles mortes, textiles).
- Éloignez tout objet inflammable du brûleur.
- Faites fonctionner l'appareil de réfrigération **exclusivement** avec une pression correspondant à celle indiquée sur la plaque signalétique. Utilisez un régulateur de pression à réglage fixe reconnu DIN DVGW en conformité avec la norme DIN EN 16129.
- N'entrez jamais **jamais** les bouteilles de gaz liquide à des endroits mal aérés ou sous le niveau du sol (dans des trous en forme d'entonnoir).
- Protégez les bouteilles de gaz liquide d'un rayonnement solaire direct. La température ne doit pas dépasser 50 °C.
- Ne contrôlez jamais l'étanchéité de l'appareil de réfrigération à l'aide d'une flamme nue.
- En cas d'odeur de gaz :
 - Fermez le robinet d'arrêt de l'alimentation en gaz et la vanne de la bouteille.
 - N'actionnez aucun interrupteur.
 - Éteignez les flammes nues.
 - Faites contrôler l'installation de gaz par une entreprise spécialisée.



AVIS !

- Utilisez uniquement du gaz propane ou butane (pas de gaz naturel).

3 Contenu de la livraison

Quantité	Désignation
1	Glacière à absorption
1	Bac à couvercle pour confectionner des glaçons
1	Notice d'utilisation

4 Usage conforme

La glacière à absorption est conçue pour la réfrigération de denrées alimentaires.

La glacière fonctionne à courant continu, courant alternatif ou au gaz.

L'appareil convient également pour le camping. L'appareil ne doit pas être exposé à la pluie.



ATTENTION ! Risque pour la santé

Veillez vérifier si la puissance frigorifique de l'appareil de réfrigération correspond à la température de conservation recommandée pour les aliments que vous souhaitez conserver au frais.

5 Description technique

L'appareil de réfrigération convient pour une utilisation mobile. Il peut refroidir ou conserver au froid des denrées jusqu'à 30 °C en dessous de la température ambiante.

L'appareil de réfrigération ne doit fonctionner au gaz qu'à l'air libre.

S'il fonctionne sur électricité, il peut être utilisé dans des aires fermées également.

5.1 Raccordements

Pos. dans fig. 2, page 4	Désignation
1	Câble de raccordement en courant alternatif
2	Câble de raccordement au courant continu
3	Recouvrement des éléments de commande
4	Raccords au gaz (uniquement ACX35, ACX40)
5	Cartouche de gaz (uniquement ACX40G)
6	Regard de flamme

5.2 Éléments de commande

Pos. dans fig. 3, page 5	Désignation
1	Régulateur de puissance frigorifique
2	Régulateur de température
3	Bouton d'allumage

Si l'appareil de réfrigération est branché au secteur de courant alternatif, la puissance frigorifique désirée est réglée à l'aide du régulateur de puissance frigorifique (1) :

- Pour **augmenter**, la puissance frigorifique, tournez le régulateur de puissance frigorifique (1) dans le sens des aiguilles d'une montre.
Pour une puissance frigorifique maximale, tournez le régulateur (1) dans le sens des aiguilles d'une montre jusqu'à la butée (position « 7 »).
- Pour **réduire**, la puissance frigorifique, tournez le régulateur (1) dans le sens contraire à celui des aiguilles d'une montre.
- Pour éteindre l'appareil de réfrigération, tournez le régulateur de puissance frigorifique (1) dans le sens contraire à celui des aiguilles d'une montre jusqu'à la butée (position « 0 »).

Si l'appareil est raccordé à la prise CC, il n'est **pas** possible de régler la puissance frigorifique.

Si l'appareil fonctionne au gaz, la puissance frigorifique désirée est réglée à l'aide du régulateur de température (2).

- Pour **augmenter**, la puissance frigorifique, tournez le régulateur de température (2) dans le sens des aiguilles d'une montre.
Pour une puissance frigorifique maximale, tournez le régulateur de température (2) dans la position la plus haute.
- Pour **réduire**, la puissance frigorifique, tournez le régulateur de température (2) dans le sens contraire à celui des aiguilles d'une montre.
- Pour éteindre l'appareil de réfrigération, tournez le régulateur de température (2) dans le sens contraire à celui des aiguilles d'une montre jusqu'à la butée (position « O »).

6 Utilisation



ATTENTION ! Risque pour la santé

Les produits alimentaires doivent être conservés dans leurs emballages originaux ou dans des récipients appropriés.



AVIS ! Risque d'endommagement !

- Veillez à ne déposer dans l'appareil de réfrigération que des objets ou des aliments qui peuvent être réfrigérés à la température sélectionnée.
- Veillez à ce que les boissons ou aliments placés dans des récipients en verre ne soient pas soumis à des températures trop basses. En gelant, le volume des boissons et aliments liquides augmente. Les récipients en verre risquent alors de se casser.
- Veillez à ce que l'appareil soit bien ventilé afin que la chaleur dégagée soit évacuée. Sinon, un fonctionnement correct n'est pas garanti. Les orifices d'aération, en particulier, ne doivent pas être recouverts.



REMARQUE

- Avant la mise en service de l'appareil neuf, nous vous conseillons, pour des raisons d'hygiène, d'en nettoyer l'intérieur et l'extérieur à l'aide d'un tissu humide (voir aussi chapitre « Entretien et nettoyage », page 60).
- Refroidissez l'appareil de réfrigération environ 24 heures avant votre départ en la branchant sur le secteur ou en utilisant du gaz. Vous obtiendrez ainsi plus rapidement la puissance frigorifique souhaitée sur le lieu d'utilisation.
- La puissance frigorifique peut être influencée par
 - la température ambiante
 - la quantité des aliments à conserver
 - la fréquence de l'ouverture du couvercle
- Quelques gouttes d'eau peuvent se former à l'intérieur de l'appareil de réfrigération s'il est utilisé pendant un temps assez long. Ceci est normal, car l'humidité de l'air se condense en gouttes d'eau lorsque la température baisse dans l'appareil de réfrigération. L'appareil de réfrigération n'est pas défectueux. Essayez-le éventuellement avec un chiffon sec.

- Appuyez sur le recouvrement (fig. **2** 3, page 4) des éléments de commande afin de l'ouvrir.
- Appuyez sur le recouvrement (fig. **2** 3, page 4) des éléments de commande en direction du couvercle jusqu'à ce qu'il s'enclenche afin de le fermer.

6.1 Comment économiser de l'énergie ?

- Choisissez un emplacement bien aéré et à l'abri du soleil.
- Laissez refroidir les aliments chauds avant de les déposer dans la glacière.
- Ne pas ouvrir la glacière plus souvent que nécessaire.
- Ne laissez pas la glacière ouverte plus longtemps que nécessaire.

6.2 Exploiter la glacière en mode courant continu

- Placez l'appareil de réfrigération sur une surface plane et stable.
- Raccordez le câble de raccordement au courant continu (fig. **2** 2, page 4) à la prise de courant continu du véhicule.
- ✓ L'appareil commence par la réfrigération du compartiment intérieur.
- Débranchez le câble de raccordement au courant continu pour mettre l'appareil de réfrigération hors service.

6.3 Raccordement à un allume-cigare



REMARQUE

Lorsque vous raccordez la glacière à l'allume-cigare de votre véhicule, veillez à ce que l'allumage soit en marche pour que l'appareil soit alimenté en électricité.

6.4 Exploiter la glacière en mode courant alternatif

- Placez l'appareil de réfrigération sur une surface plane et stable.
- Raccordez le câble de raccordement au courant alternatif (fig. **2** 1, page 4) au secteur de courant alternatif.
- Tournez le régulateur de puissance frigorifique (fig. **3** 1, page 5) dans la position désirée.
- ✓ L'appareil commence par la réfrigération du compartiment intérieur.

6.5 Raccorder la glacière ACX35, ACX40 à une alimentation en gaz externe (DE, A, CH)



AVERTISSEMENT !

L'appareil de réfrigération doit pouvoir être débranché de la conduite de gaz par un dispositif de blocage. Le dispositif de blocage doit être facile d'accès.



AVIS !

- Seul un spécialiste est habilité à raccorder l'appareil de réfrigération à l'alimentation de gaz, conformément aux directives et normes en vigueur.
- Utilisez uniquement des bouteilles de gaz propane ou butane (pas de gaz naturel ou gaz de ville) dont la vanne de réduction de pression a été contrôlée et un embout correspondant. Vérifiez que les données inscrites sur le régulateur de pression de la bouteille de propane ou de butane correspondent aux données inscrites sur la plaque signalétique.
- Veuillez tenir compte des pressions autorisées dans votre pays. Utilisez un régulateur de pression à réglage fixe reconnu DIN DVGW :
 - Pour l'Allemagne : DIN EN 16129.
 - Pour l'Europe : EN 732, EN 521 et EN 437:2003+A1:2009.
- L'appareil de réfrigération ne doit être exploité qu'avec des conduites en parfait état technique. Remplacez immédiatement toute conduite poreuse ou endommagée.



REMARQUE

- Utilisez un régulateur de pression pneumatique correspondant à la pression indiquée sur la plaque signalétique.

Procédez comme suit (fig. **4**, page 5) :

- Placez l'appareil de réfrigération sur une surface plane et stable.



AVERTISSEMENT !

Utilisez uniquement des flexibles ayant fait l'objet d'un contrôle (DIN 4815 partie 2), d'une longueur maximale de 1,5 m.

- Raccordez le flexible (**3**) aux raccords de gaz(**2**) de l'appareil de réfrigération. Pour ce faire, employez deux clés plates (**1**) de 13 mm et 17 mm.

- ▶ Veillez à ce que le flexible
 - ne soit pas compressé ou pincé
 - et se trouve à une distance suffisante du brûleur
- ▶ Enlevez le capuchon de protection (4) du raccordement de sûreté (5) du raccord de gaz.
- ▶ Enfoncez l'embout de connexion du flexible (3) dans le raccordement de sûreté (5) jusqu'à ce que vous l'entendiez s'enclencher.
- ▶ Ouvrez la vanne (6) du raccordement de sûreté (5).
- ▶ Ouvrez la vanne de la bouteille ou de conteneur de gaz.



AVERTISSEMENT !

Ne vérifiez jamais l'étanchéité avec une flamme est nue ou à proximité de sources d'étincelles.

- ▶ Vérifiez l'étanchéité de toutes les connexions à l'aide d'un spray détecteur de fuites.
Les points de connexion sont étanches si **aucune** bulle ne se forme.

Débrancher la glacière de l'alimentation de gaz

- ▶ Fermez la vanne (6) du raccordement de sûreté (5) du raccord de gaz.
- ▶ Débranchez le flexible (2) en poussant la douille en direction de la poignée d'armature.
- ▶ Placez le capuchon de protection (4) sur le raccordement de sûreté (5).
- ▶ Tournez le régulateur de température (fig. 3 2, page 5) en position « O ».

6.6 Raccorder la glacière ACX35, ACX40 à une bouteille de gaz

Veillez prendre en compte les catégories suivantes de type et de pression de gaz spécifiques à votre pays :

Pays	Catégories d'appareil
Danemark, Finlande, Hongrie, Norvège, Pologne, Suède	I ₃ B/P – 30 mbar
Belgique, République tchèque, France, Italie, Pays-Bas, Portugal, Slovaquie, Espagne, Royaume-Uni	I ₃ + – 28 – 30 / 37 mbar
Autriche, Allemagne, Luxembourg, Suisse	I ₃ B/P – 50 mbar

- Raccordez la glacière ACX35, ACX40 au flexible de gaz (fig. **6**, page 7) et à la bouteille de gaz (fig. **7**, page 8).

**AVIS !**

- Après le raccordement de l'appareil à l'alimentation en gaz, vérifiez l'étanchéité de la conduite de gaz au niveau de tous les points de raccordement (tous les raccords vissés, les raccordements de tuyaux à colliers, le raccordement à la bouteille de gaz) à l'aide d'un produit moussant, p.ex. une lessive.
- Effectuez un contrôle visuel du flexible (pour vérifier l'absence de fissures, d'érosion et de dommages).
- Si le flexible est défectueux, remplacez-le immédiatement par un neuf.

6.7 Raccorder une cartouche de gaz à la glacière ACX40G

**AVERTISSEMENT !**

- Prenez en compte les directives de manipulation et de stockage indiquées sur la cartouche de gaz.
- Assurez-vous que les raccords de la cartouche de gaz et de l'appareil de réfrigération ne sont pas salis.

**REMARQUE**

L'appareil de réfrigération convient pour un fonctionnement avec cartouches de gaz à blocage automatique de type CAMPINGAZ C 250.

- Appuyez la cartouche de gaz depuis le dessous dans le raccord de l'appareil de réfrigération (fig. **5**, page 6).

**AVERTISSEMENT !**

Ne vérifiez jamais l'étanchéité avec une flamme est nue ou à proximité de sources d'étincelles.

- Vérifiez l'étanchéité de tous les branchements à l'aide d'un spray détecteur de fuites.

Les points de connexion sont étanches si **aucune** bulle ne se forme.

Avant tout mouvement de l'appareil de réfrigération :

- Retirez la cartouche de gaz.

6.8 Exploiter la glacière en mode gaz

- Tournez le régulateur de température (fig. **3** 2, page 5) dans la position la plus haute.
- Maintenez appuyé le régulateur de température.
- Appuyez pendant 10 secondes environ sur le bouton d'allumage (fig. **3** 3, page 5) plus fois consécutives jusqu'à ce que la flamme s'allume.
- ✓ Une fois l'allumage réussi, la flamme est visible dans le regard de flamme (fig. **2** 6, page 4).
- Maintenez le régulateur de température enfoncé pendant 20 secondes encore.

6.9 Éteindre la glacière

- Fermez les vannes de gaz sur l'appareil et la bouteille de gaz.

6.10 Dégivrer la glacière



AVIS !

N'utilisez jamais d'outils mécaniques pour enlever les couches de glace ou pour détacher des objets pris dans le givre.



REMARQUE

Avec le temps, du givre se forme sur les ailettes de refroidissement, à l'intérieur de l'appareil de réfrigération. Si cette couche de givre est d'environ 3 mm, vous devez dégivrer votre appareil.

- Coupez l'alimentation en tension et en gaz.
- Videz l'appareil de réfrigération.
- Placez un chiffon dans l'espace de réfrigération pour absorber l'excès d'eau.
- Laissez le couvercle ouvert.
- Essayez l'espace de réfrigération avec un chiffon.

7 Entretien et nettoyage



AVERTISSEMENT !

Avant toute opération de nettoyage ou d'entretien de l'appareil, veillez à le mettre hors secteur.



AVIS ! Risque d'endommagement !

- Ne nettoyez jamais la glacière à l'eau courante et ne la plongez pas non plus dans l'eau.
- N'utilisez pour le nettoyage ni produits abrasifs ni objets durs qui pourraient endommager la glacière.

- Nettoyez de temps à autre l'appareil à l'intérieur et à l'extérieur avec un chiffon humide.
- Assurez-vous que les ouvertures d'aération et de ventilation de l'appareil ne sont pas encombrées de saletés ou de poussières, pour que la chaleur générée par le fonctionnement soit évacuée et que l'appareil ne soit pas endommagé.

8 Garantie

Le délai légal de garantie s'applique. Si le produit s'avérait défectueux, veuillez vous adresser à la filiale du fabricant située dans votre pays (voir adresses au verso du présent manuel) ou à votre revendeur spécialisé.

Veillez y joindre les documents suivants pour la gestion des réparations et de la garantie :

- une copie de la facture avec la date d'achat,
- le motif de la réclamation ou une description du dysfonctionnement.

9 Guide de dépannage

Dysfonctionnement	Cause possible	Solution proposée
L'appareil de réfrigération ne fonctionne pas.	La glacière n'est pas correctement installée.	Vérifiez que l'appareil est en position horizontale. Assurez-vous que l'aération est suffisante.
	Le circuit frigorifique est défectueux.	La réparation doit être effectuée uniquement par un service après-vente agréé.
En fonctionnement au courant continu : Votre appareil ne fonctionne pas (le connecteur est branché).	La prise de courant continu de votre véhicule n'est pas sous tension.	Dans la plupart des véhicules, le contact doit être mis pour que la prise de courant continu soit sous tension.
	La prise de courant est sale. Ceci entraîne un mauvais contact électrique.	Si la fiche devient très chaude lorsqu'elle est branchée dans la prise de l'allume-cigare, c'est que la prise de l'allume-cigare doit être nettoyée ou que la fiche n'est pas bien montée.
	Le fusible de sécurité du câble de raccordement a grillé.	Remplacez le fusible (fig. 6 1, page 7) du connecteur de courant continu par un fusible équivalent.
	Le fusible du véhicule est grillé.	Remplacez le fusible du véhicule de la prise de courant continu (normalement 15 A) (veuillez respecter les instructions du manuel d'entretien de votre véhicule).
En fonctionnement au courant alternatif : Votre appareil ne fonctionne pas (le connecteur est branché).	La prise de courant alternatif n'est pas sous tension.	Essayez une autre prise.

Dysfonctionnement	Cause possible	Solution proposée
En fonctionnement au gaz : Votre appareil ne fonctionne pas (l'appareil est raccordé au gaz).	L'appareil n'est pas correctement raccordé au gaz.	Vérifiez que l'alimentation de gaz est correcte et adéquate. Vérifiez que la vanne de la bouteille de gaz est ouverte. Assurez-vous qu'il y a encore du gaz dans la bouteille. Vérifiez que l'appareil est branché sur une seule source d'énergie. Maintenez enfoncé plus longtemps le régulateur de température lors de l'allumage.
Après une période prolongée où il n'a pas été utilisé, l'appareil ne se met pas en marche.	–	Après l'avoir débranché de toutes les sources d'énergie, placez l'appareil la tête en bas et attendez cinq minutes environ. Retournez l'appareil et allumez-le une nouvelle fois.


10 Retraitement

- Jetez les emballages dans les conteneurs de déchets recyclables prévus à cet effet.



Lorsque vous mettez votre produit définitivement hors service, informez-vous auprès du centre de recyclage le plus proche ou auprès de votre revendeur spécialisé sur les prescriptions relatives au retraitement des déchets.

11 Caractéristiques techniques

	ACX35	ACX40	ACX40G
Charge thermique nominale Butane :	144 W		
Charge thermique minimale Butane :	123 W		–
Tension de raccordement :	12 V=== 220 – 240 V~, 50/60 Hz		
Puissance absorbée :	75 W	85 W	
Puissance frigorifique :	max. 30 °C en dessous de la température ambiante		
Capacité :	33 l	41 l	
Capacité utile :	31 l	40 l	
Consommation électrique :	1,4 kWh/24 h	1,6 kWh/24 h	
Classe climatique :	N		
Température ambiante :	16 à 32 °C		
Émissions sonores :	0 dB		
Fluide frigorigène	159 g H ₂ O + 86 g NH ₃		
Dimensions (L x h x p) en mm :	voir fig. 7 , page 8		
Poids :	env. 15 kg	env. 14 kg	env. 15 kg
Contrôle/certificat :			

	ACX35		ACX40	
	28 – 30 mbar, 30 mbar, 37 mbar	50 mbar	28 – 30 mbar, 30 mbar, 37 mbar	50 mbar
N° de produit :	9105204280 9105204281 9105204282 9105204290	9105204279	9105204285 9105204287 9105204286 9105204288	9105204284
Consommation de gaz :	10,5 g/h	9,9 g/h	10,5 g/h	9,9 g/h

	ACX40G
N° de produit :	9105204291 9105204289
Consommation de gaz :	10,5 g/h

Lea atentamente este manual antes de la puesta en funcionamiento del aparato y consérvelo en un lugar seguro para futuras consultas. En caso de vender o entregar el aparato a otra persona, entregue también estas instrucciones.

El fabricante declina toda responsabilidad por los daños causados por **el uso inadecuado** o por el **uso incorrecto** del aparato.

Índice

1	Explicación de los símbolos	66
2	Indicaciones de seguridad	66
3	Volumen de entrega	70
4	Uso adecuado	70
5	Descripción técnica	71
6	Manejo.	72
7	Limpieza y mantenimiento	79
8	Garantía legal	80
9	Solución de averías.	80
10	Gestión de residuos	81
11	Datos técnicos.	82

1 Explicación de los símbolos

**¡ADVERTENCIA!**

Indicación de seguridad: su incumplimiento puede acarrear la muerte o graves lesiones.

**¡ATENCIÓN!**

Indicación de seguridad: su incumplimiento puede acarrear lesiones.

**¡AVISO!**

Su incumplimiento puede acarrear daños materiales y perjudicar el correcto funcionamiento del producto.

**NOTA**

Información adicional para el manejo del producto.

2 Indicaciones de seguridad

2.1 Seguridad general

**¡ADVERTENCIA!**

- No abra nunca el grupo extractor. Está bajo alta presión y puede causar lesiones si se abre.
- No ponga la nevera en funcionamiento si presenta desperfectos visibles.
- Si se daña el cable de conexión de la nevera, el fabricante, su servicio de atención al cliente o una persona cualificada debe reemplazarlo para evitar así posibles peligros.
- Solo personal especializado está autorizado a realizar reparaciones en la nevera. Una reparación incorrecta entraña riesgos considerables.
- Los niños mayores de 8 años y las personas de capacidad física, sensorial o mental disminuida, así como aquellas personas con falta de experiencia y conocimientos suficientes solo podrán utilizar esta nevera bajo vigilancia o si han sido instruidos respecto al uso seguro de la nevera y a los posibles peligros que pueden emanar de ella.

- Los niños solo podrán realizar las tareas de limpieza y mantenimiento bajo vigilancia.
- Los niños no están autorizados a jugar con la nevera.
- Controle a los niños para asegurarse de que no jueguen con la nevera.
- Mantenga y utilice la nevera fuera del alcance de los niños menores de 8 años.
- No guarde en la nevera sustancias con peligro de explosión como, por ejemplo, sprays con gases combustibles.



¡ATENCIÓN!

- Desconectar la nevera de la alimentación de electricidad y gas
 - antes de realizar cualquier tarea de limpieza o mantenimiento
 - después de cada uso
- Los alimentos solo se pueden introducir envasados en los envases originales o en recipientes adecuados.



¡AVISO!

- No abra nunca el circuito de refrigeración.
- El refrigerante del circuito de refrigeración es muy inflamable. En caso de daños en el circuito de refrigeración:
 - evite las llamas abiertas y las chispas.
 - Ventile bien la habitación.
- Compare el valor de tensión indicado en la placa de características con el suministro de energía existente.
- Conecte la nevera solo del siguiente modo:
 - con el cable de conexión de corriente continua a la caja de enchufe de corriente continua (por ejemplo, mechero) del vehículo
 - o con el cable de conexión de corriente alterna a la red de corriente alterna
- No desenchufe nunca el cable de conexión tirando de él.
- Si la nevera está conectada a la caja de enchufe de corriente continua: Desconecte de la batería la nevera u otros aparatos conectados antes de conectar un cargador rápido.
- Si la nevera está conectada a la caja de enchufe de corriente continua: desenchúfela o apáguela cuando apague el motor. De lo contrario, podría descargarse la batería del vehículo.

- Esta nevera no es apta para transportar sustancias corrosivas o que contengan disolventes.
- El aislamiento de esta nevera contiene ciclopentano inflamable. Los gases presentes en el material aislante requieren un proceso de eliminación especial. Elimine debidamente la nevera al final de su vida útil.

2.2 Seguridad durante el funcionamiento de la nevera



¡ATENCIÓN!

- Antes de la puesta en funcionamiento, asegúrese de que el cable de alimentación y la clavija de enchufe estén secos.
- Utilice este aparato solo en lugares bien ventilados.
- Mantenga vigilado el aparato durante su funcionamiento.
- Utilice la nevera con una única fuente de energía.



¡AVISO!

- No utilice ningún aparato eléctrico dentro de la nevera, a no ser que el aparato en cuestión haya sido recomendado para ello por el fabricante del mismo.
- No coloque la nevera cerca de llamas abiertas ni de otras fuentes de calor (calefacción, radiación directa del sol, estufas de gas, etc.).
- **¡Peligro de sobrecalentamiento!**
Asegúrese de que quede garantizada en todo momento una evacuación adecuada del calor que se genera durante el funcionamiento. Asegúrese también de que la nevera guarde la suficiente distancia respecto a paredes u objetos, de forma que el aire pueda circular.
- Evite que se obstruyan las aberturas de ventilación. Mantenga las distancias mínimas (fig. **1**, página 3).
- No introduzca líquidos ni hielo en el recipiente interior.
- No sumerja nunca la nevera en agua.
- Proteja la nevera y los cables del calor y de la humedad.
- Para que el refrigerante pueda circular correctamente, el ángulo de inclinación de la nevera no debe superar los 3°. Para ello, coloque la nevera horizontalmente con ayuda de un nivel.

2.3 Seguridad al usar con corriente continua



¡AVISO!

- Seleccione solo el funcionamiento con corriente continua (funcionamiento con batería) si se utiliza un controlador de batería o si el generador del vehículo aporta la suficiente tensión.
- Utilice solo cables con la sección de cable que corresponda.

2.4 Seguridad al usar con corriente alterna



¡AVISO!

- Compare el valor de tensión indicado en la placa de características con el suministro de energía existente.
- Conecte la nevera a la red de corriente alterna solo con el cable de conexión correspondiente.
- No desenchufe nunca el cable de conexión tirando de él.

2.5 Seguridad al usar con gas



¡ADVERTENCIA!

- La nevera se puede emplear con gas **exclusivamente** al aire libre.
- Nunca use la nevera con gas
 - en vehículos de carretera, embarcaciones o habitaciones cerradas
 - en gasolineras
 - mientras conduce
- **¡Peligro de asfixia!**
El uso del aparato con gas en un área sin ventilación causa falta de oxígeno en esa área.
- Asegúrese de que el área esté suficientemente ventilada durante el funcionamiento del aparato.
- No utilice el aparato en áreas sin ventilación como habitaciones cerradas, tiendas de campaña, vehículos a motor, caravanas, autocaravanas, barcos, yates, embarcaciones y cabinas de camión.
- No coloque el aparato cerca de materiales inflamables (papel, hojas secas, materiales textiles, etc.).
- Mantenga los objetos inflamables lejos del quemador.
- **Solo** está permitido usar el producto con la presión indicada en la placa de características. Utilice un presostato fijo homologado DIN-DVGW de conformidad con DIN EN 16129.

- **Nunca** guarde las bombonas de gas licuado en lugares sin ventilación ni bajo el nivel del suelo (hoyos en forma de embudo).
- Proteja las bombonas de gas licuado de las radiaciones solares directas. La temperatura no debe superar los 50 °C.
- No compruebe nunca la hermeticidad de la nevera con fuego abierto.
- En caso de olor a gas:
 - Cierre la llave de paso del suministro de gas y la válvula de la bombona.
 - No accione interruptores eléctricos.
 - Apague todas las llamas.
 - Solicite que una empresa especializada compruebe la instalación de gas.



¡AVISO!

- Utilice solo gas propano o butano (no gas natural).

3 Volumen de entrega

Cantidad	Denominación
1	Nevera con extractor
1	Cuenco con tapadera para la producción de cubitos de hielo
1	Instrucciones de uso

4 Uso adecuado

La nevera con extractor es apta para enfriar alimentos.

La nevera se puede usar con corriente alterna, corriente continua o gas.

El aparato también es adecuado para su uso en campings. No está permitido exponer a la lluvia el aparato.



¡ATENCIÓN! ¡Riesgo para la salud!

Compruebe si la potencia de refrigeración del aparato cumple los requisitos de los alimentos que desea enfriar.

5 Descripción técnica

La nevera está prevista para un uso portátil. Puede mantener productos fríos hasta un máx. de 30 °C por debajo de la temperatura ambiente.

Solo está permitido usar la nevera con gas al aire libre.

También está permitido usar la nevera con electricidad en recintos cerrados.

5.1 Conexiones

Pos. en fig. 2 , página 4	Denominación
1	Cable de conexión de corriente alterna
2	Cable de conexión de corriente continua
3	Cubierta de los elementos de mando
4	Empalmes de conexión de gas (solo ACX 35, ACX40)
5	Cartucho de gas (solo ACX40G)
6	Mirilla de llama

5.2 Elementos de mando

Pos. en fig. 3 , página 5	Denominación
1	Regulador de la potencia de refrigeración
2	Regulador de temperatura
3	Tecla de encendido

Si la nevera está conectada a la corriente alterna, la potencia de refrigeración deseada se ajusta con el regulador de potencia de refrigeración (**1**):

- Para **augmentar** la potencia de refrigeración, gire el regulador (**1**) en el sentido de las agujas del reloj.

Para la alcanzar la potencia de refrigeración máxima, gire el regulador (**1**) hasta el tope en el sentido de las agujas del reloj (posición "7").

- ▶ Para **disminuir** la potencia de refrigeración, gire el regulador **(1)** en el sentido contrario a las agujas del reloj.
- ▶ Para apagar la nevera, gire el regulador **(1)** hasta el tope en el sentido contrario a las agujas del reloj (posición "0").

Si la nevera está conectada al enchufe de corriente continua, la potencia de refrigeración **no** se puede regular.

Si la nevera funciona con gas, la potencia de refrigeración deseada se ajusta con el regulador de temperatura **(2)**.

- ▶ Para **aumentar** la potencia de refrigeración, gire el regulador de temperatura **(2)** en el sentido de las agujas del reloj.
Para la potencia de refrigeración máxima, gire el regulador de temperatura **(2)** hasta el ajuste más alto.
- ▶ Para **disminuir** la potencia de refrigeración, gire el regulador de temperatura **(2)** en el sentido contrario a las agujas del reloj.
- ▶ Para apagar la nevera, gire el regulador de temperatura **(2)** hasta el tope en el sentido de las agujas del reloj (posición "0").

6 Manejo



¡ATENCIÓN! ¡Riesgo para la salud!

Los alimentos solo se pueden introducir envasados en los envases originales o en recipientes adecuados.



¡AVISO! ¡Peligro de daños materiales!

- Asegúrese de que en la nevera solo hay objetos o productos que puedan enfriarse a la temperatura seleccionada.
- Asegúrese de que las bebidas o los alimentos envasados en recipientes de cristal no se enfríen demasiado. Cuando las bebidas o alimentos líquidos se congelan, se dilatan. Esto podría provocar que los recipientes de cristal estallasen.
- Preste atención a que la nevera esté suficientemente ventilada para así poder evacuar el calor extraído. De lo contrario no se garantiza un funcionamiento correcto. En especial no deben obstruirse las aberturas de ventilación.

**NOTA**

- Por razones de higiene, debería limpiar la nevera por dentro y por fuera con un paño húmedo antes de ponerla en funcionamiento (véase también el capítulo “Limpieza y mantenimiento” en la página 79).
- Enfríe la nevera por medio de la red de corriente o por medio de gas 24 horas antes del inicio del viaje. De esta forma, se alcanza más rápidamente la potencia de refrigeración que se desee en el lugar de empleo.
- La potencia de refrigeración puede verse afectada por:
 - la temperatura ambiente,
 - la cantidad de alimentos a refrigerar,
 - la frecuencia de apertura de la tapa de la nevera.
- Si la nevera ha estado enfriando durante un largo periodo de tiempo, podrían depositarse algunas gotas de agua en su interior. Esto es normal puesto que la humedad del aire se condensa en gotas de agua cuando la temperatura de la nevera desciende. Esto no significa que la nevera esté averiada. En caso necesario, seque las gotas con un paño seco.

- Presione la cubierta (fig. **2** 3, página 4) de los elementos de mando para abrirla.
- Presione la cubierta (fig. **2** 3, página 4) de los elementos de mando en dirección a la tapa hasta que se enclave para cerrarla.

6.1 Consejos para el ahorro de energía

- Elija un lugar de montaje correctamente ventilado y protegido de la radiación solar.
- Antes de introducir alimentos calientes, deje que se enfríen.
- Evite abrir la nevera más de lo necesario.
- No deje la nevera abierta más tiempo del que sea necesario.

6.2 Utilizar la nevera con corriente continua

- Coloque la nevera sobre una base firme y plana.
- Conecte el cable de conexión de corriente continua (fig. **2** 2, página 4) a la toma de corriente continua del vehículo.
- ✓ La nevera empieza a enfriar el interior.
- Para apagar la nevera, desenchufe el cable de conexión de corriente continua.

6.3 Conectar al mechero del vehículo



NOTA

Cuando conecte la nevera al mechero del vehículo, tenga en cuenta que, en caso necesario, tendrá que accionar el encendido del vehículo para que el aparato obtenga suministro de corriente.

6.4 Utilizar la nevera con corriente alterna

- Coloque la nevera sobre una base firme y plana.
- Conecte el cable de conexión de corriente alterna (fig. **2** 1, página 4) a la red de corriente alterna.
- Gire el regulador de potencia de refrigeración (fig. **3** 1, página 5) a la posición que desee.
- ✓ La nevera empieza a enfriar el interior.

6.5 Conectar la nevera ACX35, ACX40 a una alimentación de gas externa (Alemania, Austria, Suiza)



¡ADVERTENCIA!

La nevera se debe poder desconectar del gas independientemente con un dispositivo de cierre en la tubería de gas. Se debe poder acceder de forma sencilla al dispositivo de cierre.



¡AVISO!

- Solo un técnico está autorizado a conectar la nevera a la alimentación de gas conforme a las disposiciones y a las normas vigentes.
- Utilice solo bombonas de gas propano o butano (no gas natural ni gas ciudad) equipadas con una válvula homologada de reducción de la presión y un cabezal adecuado. Compare la indicación de presión en la placa de características con la indicación de presión del regulador de gas la bombona de gas butano o propano.
- Tenga en cuenta las presiones autorizadas en su país. Utilice un presostato fijo homologado según DIN-DVGW:
 - En Alemania se aplica: DIN EN 16129.
 - En Europa se aplica: EN 732, EN 521 y EN 437:2003+A1:2009.
- Solo está permitido usar la nevera con mangueras en perfecto estado. Sustituya inmediatamente las mangueras porosas o dañadas.



NOTA

- Utilice el regulador de presión de gas según la presión de gas que se indica en la placa de características.

Proceda de la siguiente manera (fig. 4, página 5):

- Coloque la nevera sobre una base firme y plana.



¡ADVERTENCIA!

Use solo mangueras homologadas (DIN 4815, parte 2) con una longitud máxima de 1,5 m.

- Conecte la manguera (3) con el empalme de conexión de gas (2) de la nevera. Utilice para ello dos llaves de boca (1) con anchos de llave de 13 mm y 17 mm.
- Compruebe que la manguera
 - no se doble ni quede pillada,
 - esté a una distancia de seguridad del quemador.
- Retire la cubierta protectora (4) del acoplamiento de conexión de seguridad (5) de la conexión de gas.
- Presione el manguito de la manguera (3) en el acoplamiento de conexión de seguridad (5) hasta que se oiga como enclava.
- Abra la válvula (6) en el acoplamiento de conexión de seguridad (5).
- Abra la bombona de gas o la válvula del depósito de gas.

**¡ADVERTENCIA!**

Nunca compruebe la estanqueidad con una llama abierta o cerca de fuentes de ignición.

- Compruebe que ninguna de las conexiones presenta fugas con un spray detector de fugas.
Los puntos de conexión son estancos cuando **no** se forman burbujas.

Desconectar la nevera de la alimentación externa de gas

- Cierre la válvula (6) del acoplamiento de conexión de seguridad (5) de la conexión de gas.
- Desconecte la manguera (2) desplazando el manguito en dirección al asa de la valvulería.
- Ponga la cubierta protectora (4) en el acoplamiento de conexión de seguridad (5).
- Gire el regulador de temperatura (fig. 3 2, página 5) a la posición "O".

6.6 Conectar la nevera ACX35, ACX40 a una bombona de gas

Tenga en cuenta las categorías del país en materia del tipo y presión de gas:

País	Categorías de gas
Dinamarca, Finlandia, Hungría, Noruega, Polonia, Suecia	I ₃ B/P – 30 mbares
Bélgica, República Checa, Francia, Italia, Países Bajos, Portugal, Eslovaquia, España, Reino Unido	I ₃ + – 28 – 30 / 37 mbares
Austria, Alemania, Luxemburgo, Suiza	I ₃ B/P – 50 mbares

- Conecte la nevera ACX35, ACX40 a la manguera de gas (fig. **6**, página 7) y a la bombona de gas (fig. **7**, página 8).



¡AVISO!

- Una vez conectado el aparato al suministro de gas, compruebe la estanqueidad del conducto de gas en todos los puntos de unión (todas las uniones de rosca, las uniones de empalme de manguera con abrazaderas, la unión con la bombona de gas) con un líquido espumante, por ejemplo, con agua jabonosa.
- Realice también un control visual de la manguera (para asegurarse de que no presente fisuras, erosiones ni daños).
- En caso de fallas, cambie la manguera dañada de inmediato por una nueva.

6.7 Conectar el cartucho de gas a la nevera ACX40G



¡ADVERTENCIA!

- Tenga en cuenta las instrucciones de manipulación y almacenamiento del cartucho de gas.
- Asegúrese de que las conexiones del cartucho de gas y la nevera estén limpias.



NOTA

La nevera es adecuada para usarse con cartuchos de gas autobloqueantes del tipo CAMPINGAZ CP250.

- Presione el cartucho de gas desde abajo en la conexión de la nevera (fig. **5**, página 6).



¡ADVERTENCIA!

Nunca compruebe la estanqueidad con una llama abierta o cerca de fuentes de ignición.

- Compruebe que ninguna de las conexiones presenta fugas con un spray detector de fugas.
Los puntos de conexión son estancos cuando **no** se forman burbujas.

Antes mover la nevera:

- Retire el cartucho de gas.

6.8 Utilizar la nevera con gas

- Gire el regulador de temperatura (fig. **3** 2, página 5) a la posición más alta.
- Pulse y mantenga pulsado el regulador de temperatura.
- Transcurridos unos 10 segundos, pulse la tecla de encendido (fig. **3** 3, página 5) varias veces seguidas con rapidez a que prenda la llama.
- ✓ Después del correcto encendido, se ve la llama en la mirilla de la llama (fig. **2** 6, página 4).
- Mantenga presionado el regulador de temperatura durante otros 20 segundos.

6.9 Desconexión de la nevera

- Gire la válvula de gas del aparato y de la bombona de gas.

6.10 Descongelar la nevera



¡AVISO!

Nunca utilice herramientas mecánicas para retirar capas de hielo o soltar productos que se hayan adherido al congelarse.



NOTA

Con el tiempo, se forma escarcha en las aletas de refrigeración del interior de la nevera. Cuando esa capa de escarcha sea de unos 3 mm, se debe descongelar la nevera.

- ▶ Interrumpa la alimentación de tensión y de gas.
- ▶ Vacíe la nevera.
- ▶ Coloque un paño en el área de refrigeración para absorber el agua que sobre.
- ▶ Deje la tapa abierta.
- ▶ Seque el área de refrigeración con un paño.

7 Limpieza y mantenimiento



¡ADVERTENCIA!

Desconecte el aparato de la red antes de proceder con la limpieza o el mantenimiento del mismo.



¡AVISO! ¡Peligro de ocasionar daños materiales!

- Nunca limpie la nevera bajo el chorro de agua corriente ni inmersa en agua jabonosa.
- No emplee productos de limpieza corrosivos u objetos que puedan arañar o deteriorar el aparato durante su limpieza.

- ▶ Limpie de vez en cuando el interior y el exterior de la nevera con un paño húmedo.
- ▶ Asegúrese de que las aberturas de ventilación y desaireación del aparato estén limpias de polvo para que se pueda evacuar el calor generado durante el funcionamiento y el aparato no resulte perjudicado.

8 Garantía legal

Rige el plazo de garantía legal. Si el producto presenta algún defecto, diríjase a la sucursal del fabricante de su país (ver direcciones en el dorso de estas instrucciones) o a su establecimiento especializado.

Para la tramitación de la reparación y de la garantía debe enviar también los siguientes documentos:

- una copia de la factura con fecha de compra,
- el motivo de la reclamación o una descripción de la avería.

9 Solución de averías

Avería	Posible causa	Propuesta de solución
La nevera no funciona.	La nevera no se ha colocado correctamente.	Asegúrese de que la nevera esté en posición totalmente horizontal. Asegúrese de que la ventilación es suficiente.
	El circuito de refrigeración está averiado.	Solo un servicio de atención al cliente autorizado puede realizar la reparación.
En funcionamiento con corriente continua: La nevera no funciona (está enchufada).	No hay tensión en el enchufe de corriente continua del vehículo.	En la mayoría de los vehículos debe estar conectado el interruptor de encendido para que el enchufe de corriente continua reciba tensión.
	El casquillo del enchufe de corriente continua está sucio y, en consecuencia, el contacto eléctrico es defectuoso.	Si la clavija se calienta demasiado en el enchufe de corriente continua, puede que sea necesario limpiar el casquillo o que la clavija no se haya montado correctamente.
	El fusible del enchufe de corriente continua está fundido.	Cambie el fusible (fig. 6 1, página 7) del enchufe de corriente continua por otro de las mismas características.
	Se ha fundido el fusible del vehículo.	Cambie el fusible del enchufe de la toma de corriente continua del vehículo (normalmente 15 A) (consulte para ello el manual de instrucciones de su vehículo).

Avería	Posible causa	Propuesta de solución
En funcionamiento con corriente alterna: La nevera no funciona (está enchufada).	No hay tensión en la toma de corriente alterna.	Inténtelo en otra toma.
En funcionamiento con gas: La nevera no funciona (la nevera está conectada al gas).	La nevera no está bien conectada al gas.	<p>Asegúrese de que la alimentación de gas está garantizada.</p> <p>Asegúrese de que la válvula de la bombona de gas está abierta.</p> <p>Asegúrese de que queda gas en la bombona.</p> <p>Asegúrese de que no haya varias fuentes de alimentación conectadas al mismo tiempo.</p> <p>Mantenga presionado el regulador de temperatura durante más tiempo para el encendido.</p>
La nevera ya no se enciende tras un tiempo prolongado de desconexión.	–	<p>Mantenga la nevera boca abajo desconectada de todas las fuentes de energía y espere unos cinco minutos.</p> <p>Vuelva a dar la vuelta a la nevera y conéctela de nuevo.</p>

10 Gestión de residuos

- Deseche el material de embalaje en el contenedor de reciclaje correspondiente.



Cuando vaya a desechar definitivamente el producto, infórmese en el centro de reciclaje más cercano o en un comercio especializado sobre las normas pertinentes de eliminación de materiales.

11 Datos técnicos

	ACX35	ACX40	ACX40G
Carga calorífica nominal Butano:	144 W		
Carga calorífica mínima Butano:	123 W		-
Tensión de conexión:	12 V=== 220 – 240 V~, 50/60 Hz		
Consumo de potencia:	75 W	85 W	
Potencia de refrigeración:	máx. 30 °C por debajo de la temperatura ambiente		
Capacidad bruta:	33 l	41 l	
Capacidad útil:	31 l	40 l	
Consumo de energía:	1,4 kWh/24 h	1,6 kWh/24 h	
Clase climática:	N		
Temperatura ambiente:	entre 16 y 32 °C		
Emisiones de ruido:	0 dB		
Refrigerante	159 g H ₂ O + 86 g NH ₃		
Dimensiones Dimensiones (A x H x P) en mm:	véase fig. 7 , página 8		
Peso:	aprox. 15 kg	aprox. 14 kg	aprox. 15 kg
Homologación/certificados:			

	ACX35		ACX40	
	28 – 30 mbar, 30 mbar, 37 mbar	50 mbar	28 – 30 mbar, 30 mbar, 37 mbar	50 mbar
N.º de art:	9105204280 9105204281 9105204282 9105204290	9105204279	9105204285 9105204287 9105204286 9105204288	9105204284
Consumo de gas:	10,5 g/h	9,9 g/h	10,5 g/h	9,9 g/h

	ACX40G
N.º de art:	9105204291 9105204289
Consumo de gas:	10,5 g/h

Por favor, leia atentamente este manual antes da colocação em funcionamento do aparelho e guarde-o em local seguro. Em caso de revenda do aparelho, entregue o manual ao novo comprador.

O fabricante não se responsabiliza por danos resultantes de uma **utilização inadequada** ou de uma **operação incorrecta**.

Índice

1	Explicação dos símbolos	85
2	Indicações de segurança	85
3	Material fornecido	90
4	Utilização adequada	90
5	Descrição técnica	90
6	Utilização	92
7	Limpeza e manutenção	99
8	Garantia	100
9	Resolução de falhas	100
10	Eliminação	101
11	Dados técnicos	102

1 Explicação dos símbolos

**AVISO!**

Indicação de segurança: o incumprimento pode provocar a morte ou ferimentos graves.

**PRECAUÇÃO!**

Indicação de segurança: o incumprimento pode provocar ferimentos.

**NOTA!**

O incumprimento pode causar danos materiais e pode prejudicar o funcionamento do produto.

**OBSERVAÇÃO**

Informações suplementares sobre a operação do produto.

2 Indicações de segurança

2.1 Segurança geral

**AVISO!**

- Nunca abra o agregado de absorção. Este encontra-se sob pressão e pode originar ferimentos durante a abertura.
- Se o aparelho de refrigeração apresentar danos visíveis não o deve colocar em funcionamento.
- Se o cabo de conexão do aparelho de refrigeração se danificar, tem de ser substituído pelo fabricante, pelo seu serviço de assistência técnica ou por uma pessoa com qualificações equivalentes para evitar perigos.
- As reparações neste aparelho de refrigeração apenas podem ser realizadas por técnicos especializados. As reparações inadequadas podem provocar perigos substanciais.

- Este aparelho de refrigeração pode ser utilizado por crianças a partir dos 8 anos, assim como por pessoas com capacidades físicas, sensoriais ou mentais reduzidas ou com insuficiente experiência e conhecimento, quando supervisionadas ou quando tenham recebido informação acerca da utilização segura do aparelho e compreendam os perigos dele resultantes.
- A limpeza e a manutenção por parte do utilizador não podem ser efetuadas por crianças sem supervisão.
- As crianças não podem brincar com o aparelho de refrigeração.
- As crianças devem ser supervisionadas para assegurar que não brincam com o aparelho de refrigeração.
- Guarde e utilize o aparelho de refrigeração fora do alcance de crianças com idade inferior a 8 anos.
- Não guarde as substâncias com risco de explosão, como por ex. latas de spray com gás inflamável, no aparelho de refrigeração.

**PRECAUÇÃO!**

- Desligue o aparelho de refrigeração da fonte de alimentação e do abastecimento de gás
 - antes de cada limpeza e conservação
 - após cada utilização
- Os géneros alimentícios devem ser armazenados exclusivamente nas embalagens originais ou em recipientes adequados.

**NOTA!**

- Não abra, em caso algum, o circuito de refrigeração.
- O líquido refrigerante no circuito de refrigeração é facilmente inflamável.
Em caso de dano no circuito de refrigeração:
 - Evite chamas abertas ou faíscas causadoras de incêndio.
 - Ventile bem o espaço.
- Compare a indicação da tensão na chapa de características com a alimentação de energia existente.
- Conecte o aparelho de refrigeração apenas do seguinte modo:
 - com o cabo de conexão de corrente contínua à tomada de bordo de corrente contínua (p. ex., isqueiro) no veículo
 - ou com o cabo de conexão de corrente alternada à rede de corrente alternada
- Nunca retire a ficha da tomada puxando pelo cabo de conexão.

- Se o aparelho de refrigeração estiver ligado à tomada de corrente contínua: Desligue o seu aparelho de refrigeração e outros consumidores da bateria do veículo antes de ligar um carregador rápido.
- Se o aparelho de refrigeração estiver ligado à tomada de corrente contínua: Corte a conexão ou desligue o aparelho de refrigeração se desligar o motor. Caso contrário, a bateria do veículo pode ficar descarregada.
- O aparelho de refrigeração não é adequado para o transporte de substâncias corrosivas ou substâncias com solventes.
- Este aparelho de refrigeração contém ciclopentano inflamável no isolamento. Os gases no material de isolamento requerem um processo de eliminação especial. No final da sua vida útil, entregue o aparelho de refrigeração num ponto de eliminação apropriado.

2.2 Segurança durante a utilização do aparelho de refrigeração



PRECAUÇÃO!

- Antes da colocação em funcionamento, certifique-se de que a conexão e a ficha estão secos.
- Opere o aparelho apenas em locais bem ventilados.
- Opere o aparelho apenas sob supervisão.
- Opere sempre o aparelho de refrigeração apenas com uma fonte de energia.



NOTA!

- Não utilize aparelhos elétricos dentro do aparelho de refrigeração, exceto se estes aparelhos elétricos tiverem sido recomendados para isso pelo fabricante.
- Não coloque o aparelho de refrigeração na proximidade de chamas abertas ou outras fontes de calor (aquecimento, radiação solar intensa, fornos a gás, etc.).
- **Perigo de sobreaquecimento!**
Tenha sempre atenção para que o calor gerado durante o funcionamento seja dissipado adequadamente. Certifique-se de que o aparelho de refrigeração está posicionado a uma distância suficiente de paredes ou objetos de modo a que o ar possa circular livremente.

- Tenha atenção para que as aberturas de ventilação não fiquem cobertas.
Mantenha as distâncias mínimas (fig. **1**, página 3).
- Não verta líquidos ou gelo para dentro do recipiente interior.
- Nunca mergulhe o aparelho de refrigeração em água.
- Proteja o aparelho de refrigeração e os cabos do calor e da humidade.
- Para que o líquido refrigerante possa circular corretamente, o aparelho de refrigeração não pode exceder um ângulo de inclinação de 3°. Coloque o aparelho de refrigeração em posição plana com o auxílio de um nível de bolha de água.

2.3 Segurança durante o funcionamento a corrente contínua



NOTA!

- Selecione o funcionamento a corrente contínua (funcionamento com bateria) apenas quando utiliza um monitorizador da bateria ou o gerador do veículo fornece tensão suficiente.
- Utilize apenas cabos com o corte transversal do cabo correspondente.

2.4 Segurança durante o funcionamento a corrente alternada



NOTA!

- Compare a indicação da tensão na chapa de características com a alimentação de energia existente.
- Ligue o aparelho de refrigeração à rede de corrente alternada apenas com o respetivo cabo de conexão.
- Nunca retire a ficha da tomada puxando pelo cabo de conexão.

2.5 Segurança durante o funcionamento a gás



AVISO!

- Durante o funcionamento a gás, o aparelho de refrigeração **apenas** pode ser utilizado no exterior.

- Nunca opere o aparelho de refrigeração com gás
 - em veículos rodoviários, veículos aquáticos ou em espaços fechados
 - em postos de abastecimento
 - em ferries
- **Perigo de asfixia!**

A operação do aparelho com gás num espaço não ventilado provoca insuficiência de oxigénio neste espaço.
- Certifique-se de que o espaço está suficientemente ventilado durante a operação do aparelho.
- Não opere o aparelho em zonas não ventiladas como espaços fechados, tendas, automóveis, caravanas, autocaravanas, barcos, iates ou cabines de camiões.
- Não coloque o aparelho na proximidade de materiais facilmente inflamáveis (papel, folhas secas, têxteis).
- Mantenha os objetos inflamáveis longe do queimador.
- O aparelho de refrigeração deve ser operado **exclusivamente** com a pressão indicada na chapa de características. Utilize um regulador de pressão reconhecido pela DIN-DVGW, com ajuste fixo, em conformidade com a norma DIN EN 16129.
- **Nunca** guarde as garrafas de gás liquefeito em locais sem ventilação ou abaixo do nível do solo (cavidades no solo em forma de funil).
- Proteja as garrafas de gás liquefeito da irradiação solar direta. A temperatura não deve exceder os 50 °C.
- Nunca verifique o aparelho de refrigeração quanto a fugas com uma chama aberta.
- Em caso de cheiro a gás:
 - Feche a torneira de bloqueio do abastecimento de gás e a válvula da garrafa.
 - Não acione quaisquer interruptores elétricos.
 - Extinga as chamas abertas.
 - Solicite a uma empresa especializada a verificação do sistema de gás.

**NOTA!**

- Utilize apenas gás propano ou butano (nunca gás natural).

3 Material fornecido

Quantidade	Designação
1	Geleira de absorção
1	Tabuleiro com tampa para cubos de gelo
1	Manual de instruções

4 Utilização adequada

A geleira de absorção é adequada para refrigerar géneros alimentícios.

A geleira pode ser operada com corrente contínua, corrente alternada ou gás.

O aparelho também é adequado para campismo. O aparelho não pode ser exposto à chuva.



PRECAUÇÃO! Risco para a saúde!

Verifique se a potência de refrigeração do aparelho cumpre os requisitos dos géneros alimentícios que pretende refrigerar.

5 Descrição técnica

O aparelho de refrigeração é adequado para a utilização móvel. O mesmo permite refrescar e manter os produtos frescos até, no máx., 30 °C abaixo da temperatura ambiente.

No funcionamento a gás, o aparelho de refrigeração apenas pode ser utilizado no exterior.

No funcionamento elétrico, o aparelho de refrigeração também pode ser utilizado em espaços fechados.

5.1 Conexões

Pos. na fig. 2 , página 4	Designação
1	Cabo de conexão de corrente alternada
2	Cabo de conexão de corrente contínua
3	Cobertura para elementos de comando
4	Bocal de ligação de gás (apenas para os modelos ACX35 e ACX40)
5	Cartucho de gás (apenas para o modelo ACX40G)
6	Visor da chama

5.2 Elementos de comando

Pos. na fig. 3 , página 5	Designação
1	Regulador da potência de refrigeração
2	Regulador de temperatura
3	Botão de ignição

Quando o aparelho de refrigeração está ligado à rede de corrente alternada, a potência de refrigeração pretendida é ajustada com o regulador de potência de refrigeração **(1)**:

- Para proceder ao **aumento** da potência de refrigeração, rode o regulador de potência de refrigeração **(1)** no sentido dos ponteiros do relógio.
Para obter uma potência de refrigeração máxima, rode o regulador de potência de refrigeração **(1)** no sentido dos ponteiros do relógio até ao encosto (posição "7").
- Para proceder à **diminuição** da potência de refrigeração, rode o regulador de potência de refrigeração **(1)** no sentido contrário ao dos ponteiros do relógio.
- Para desligar o aparelho de refrigeração, rode o regulador de potência de refrigeração **(1)** no sentido contrário ao dos ponteiros do relógio até ao encosto (posição "0").

Quando o aparelho de refrigeração está ligado à tomada de corrente contínua, **não** é possível ajustar a potência de refrigeração.

Se o aparelho de refrigeração for operado com gás, a potência de refrigeração pretendida é ajustada com o regulador de temperatura **(2)**.

- ▶ Para proceder ao **aumento** da potência de refrigeração, rode o regulador de temperatura **(2)** no sentido dos ponteiros do relógio.
Para obter uma potência de refrigeração máxima, rode o regulador de temperatura **(2)** para a posição máxima.
- ▶ Para proceder à **diminuição** da potência de refrigeração, rode o regulador de temperatura **(2)** no sentido contrário ao dos ponteiros do relógio.
- ▶ Para desligar o aparelho de refrigeração, rode o regulador de temperatura **(2)** no sentido dos ponteiros do relógio até ao encosto (posição “O”).

6 Utilização



PRECAUÇÃO! Risco para a saúde!

Os géneros alimentícios devem ser armazenados exclusivamente nas embalagens originais ou em recipientes adequados.



NOTA! Perigo de danos!

- Tenha atenção para que no aparelho de refrigeração apenas se encontrem objetos ou produtos que possam ser refrigerados à temperatura selecionada.
- Assegure-se de que as bebidas ou os alimentos em recipientes de vidro não arrefecem em demasia. Ao refrigerar, as bebidas ou os alimentos líquidos dilatam. Deste modo, os recipientes de vidro podem partir.
- Certifique-se de que o aparelho de refrigeração se encontra bem ventilado para que o calor de saída possa dissipar-se, caso contrário, não está garantido um funcionamento correto. Em especial, as aberturas de ventilação não podem ser cobertas.

**OBSERVAÇÃO**

- Por motivos de higiene, antes de colocar o novo aparelho de refrigeração em funcionamento, deve limpar o seu interior e exterior com um pano húmido (ver também capítulo “Limpeza e manutenção” na página 99).
- Antes do início da viagem, refrigere o aparelho de refrigeração com gás ou ligado à rede de alimentação durante cerca de 24 horas. Assim é possível alcançar mais rapidamente a potência de refrigeração pretendida no local de utilização.
- A potência de refrigeração pode ser influenciada pela
 - temperatura ambiente
 - pela quantidade dos géneros alimentícios a serem conservados
 - pela frequência de abertura da tampa
- Pode haver formação de alguns pingos de água no interior do aparelho de refrigeração se este tiver refrigerado durante algum tempo. Isso é normal, pois a humidade presente no ar condensa-se e transforma-se em pingos de água quando a temperatura arrefece no aparelho de refrigeração. O aparelho de refrigeração não está com defeito. Limpe-o, se necessário, com um pano seco.

- Pressione a cobertura (fig. **2** 3, página 4) dos elementos de comando para a abrir.
- Para fechar a cobertura (fig. **2** 3, página 4) dos elementos de comando, pressione-a na direção da tampa até que esta encaixe.

6.1 Sugestões para poupar energia

- Escolha um local de utilização bem arejado e protegido de raios solares.
- Primeiro, deixe as refeições quentes arrefecer antes de as manter frescas.
- Não abra a geleira mais do que as vezes necessárias.
- Não deixe a geleira aberta mais tempo do que o necessário.

6.2 Utilizar a geleira no funcionamento a corrente contínua

- ▶ Coloque o aparelho de refrigeração sobre uma superfície estável e plana.
- ▶ Ligue o cabo de conexão de corrente contínua (fig. **2** 2, página 4) à tomada de corrente contínua do veículo.
- ✓ O aparelho de refrigeração inicia a refrigeração do interior.
- ▶ Retire o cabo de conexão de corrente contínua para desligar o aparelho de refrigeração.

6.3 Conectar ao isqueiro



OBSERVAÇÃO

Se conectar a geleira ao isqueiro do seu veículo, lembre-se de que, eventualmente, terá de ligar a ignição para que o aparelho seja alimentado com corrente.

6.4 Utilizar a geleira no funcionamento a corrente alternada

- ▶ Coloque o aparelho de refrigeração sobre uma superfície estável e plana.
- ▶ Ligue o cabo de conexão de corrente alternada (fig. **2** 1, página 4) à rede de corrente alternada.
- ▶ Rode o regulador de potência de refrigeração (fig. **3** 1, página 5) para a posição pretendida.
- ✓ O aparelho de refrigeração inicia a refrigeração do interior.

6.5 Ligar as geleiras ACX35 e ACX40 a um abastecimento de gás externo (DE, A, CH)



AVISO!

O aparelho de refrigeração tem de poder ser bloqueado separadamente através de um dispositivo de bloqueio existente na conduta de gás. O dispositivo de bloqueio deve ser de fácil acesso.



NOTA!

- O aparelho de refrigeração só pode ser ligado ao abastecimento de gás por um electricista qualificado, de acordo com as regulamentações e normas em vigor.
- Utilize apenas garrafas de gás propano ou butano (nunca gás natural ou gás de cidade) com uma válvula redutora de pressão testada e uma peça de topo adequada. Compare a indicação da pressão na chapa de características com a indicação da pressão no regulador de pressão da garrafa de gás propano ou butano.
- Respeite as pressões permitidas no seu país. Utilize um regulador de pressão reconhecido pela DIN-DVGW, com ajuste fixo:
 - Na Alemanha aplica-se: DIN EN 16129.
 - Na Europa aplica-se: EN 732, EN 521 e EN 437:2003+A1:2009.
- O aparelho de refrigeração apenas pode ser operado com tubos em bom estado técnico. Substitua imediatamente os tubos porosos ou danificados.



OBSERVAÇÃO

- Utilize um regulador de pressão de gás de acordo com a pressão de gás indicada na chapa de características.

Proceda do seguinte modo (fig. **4**, página 5):

- Coloque o aparelho de refrigeração sobre uma superfície estável e plana.



AVISO!

Utilize apenas tubos testados (DIN 4815, Parte 2) com um comprimento máximo de 1,5 m.

- Ligue o tubo (**3**) ao bocal de ligação de gás (**2**) do aparelho de refrigeração. Utilize duas chaves de forquilha (**1**) com bocas de chave de 13 mm e 17 mm.

- ▶ Certifique-se de que o tubo
 - não fica preso nem dobrado
 - se encontra a uma distância segura do queimador
- ▶ Retire a capa protetora **(4)** do engate de segurança **(5)** da ligação de gás.
- ▶ Pressione a bucha de encaixe do tubo **(3)** no engate de segurança **(5)** até encaixar audivelmente.
- ▶ Abra a válvula **(6)** no engate de segurança **(5)**.
- ▶ Abra a válvula da garrafa de gás ou do depósito de gás.

**AVISO!**

Nunca verifique a estanqueidade com a chama aberta ou na proximidade de fontes de ignição.

- ▶ Verifique a estanqueidade de todas as conexões, utilizando um spray detetor de fugas.
Os pontos de conexão estão estanques se **não** formarem bolhas.

Desligar a geleira da alimentação de gás externa

- ▶ Feche a válvula **(6)** do engate de segurança **(5)** da ligação de gás.
- ▶ Desengate o tubo **(2)** deslizando a manga na direção da pega das guarnições.
- ▶ Encaixe a capa protetora **(4)** no engate de segurança **(5)**.
- ▶ Rode o regulador de temperatura (fig. **3** 2, página 5) para "O".

6.6 Ligar as geleiras ACX35 e ACX40 a uma garrafa de gás

Respeite as seguintes categorias específicas de cada país relativamente ao tipo e pressão do gás:

País	Categorias de aparelhos
Dinamarca, Finlândia, Hungria, Noruega, Polónia, Suécia	I ₃ B/P – 30 mbar
Bélgica, República Checa, França, Itália, Países Baixos, Portugal, Eslováquia, Espanha, Reino Unido	I ₃ + – 28 – 30 / 37 mbar
Áustria, Alemanha, Luxemburgo, Suíça	I ₃ B/P – 50 mbar

- Ligue a geleira ACX35 e ACX40 ao tubo de gás (fig. **6**, página 7) e à garrafa de gás (fig. **7**, página 8).



NOTA!

- Após a conexão do aparelho ao abastecimento de gás, verifique a estanqueidade do tubo de gás, em todos os pontos de conexão (todas as uniões roscadas, uniões de tubos flexíveis com braçadeiras, pontos de união da garrafa de gás) com um agente formador de espuma, por exemplo, solução saponácea.
- Proceda a uma inspeção visual do tubo flexível (despiste de fendas, fissuras, desgaste decorrente de condições climatéricas ou outros danos).
- Um tubo flexível danificado deve ser substituído de imediato por um tubo flexível novo.

6.7 Ligar o cartucho de gás à geleira ACX40G



AVISO!

- Respeite as instruções de tratamento e armazenamento do cartucho de gás.
- Certifique-se de que as conexões do cartucho de gás e do aparelho de refrigeração não estão sujas.



OBSERVAÇÃO

O aparelho de refrigeração é adequado para a utilização com os cartuchos de gás com autobloqueio do tipo CAMPINGAZ CP250.

- Pressione o cartucho de gás a partir de baixo na conexão do aparelho de refrigeração (fig. **5**, página 6).



AVISO!

Nunca verifique a estanqueidade com a chama aberta ou na proximidade de fontes de ignição.

- Verifique a estanqueidade de todas as conexões, utilizando um spray detetor de fugas.
Os pontos de conexão estão estanques se **não** formarem bolhas.

Antes de qualquer movimento do aparelho de refrigeração:

- Remova o cartucho de gás.

6.8 Utilizar a geleira no funcionamento a gás

- Rode o regulador de temperatura (fig. **3** 2, página 5) para a posição máxima.
- Prima o regulador de temperatura e mantenha-o premido.
- Prima durante cerca de 10 segundos o botão de ignição (fig. **3** 3, página 5) várias vezes em sequência rápida, até que a chama acenda.
- ✓ Após uma ignição bem-sucedida, é possível ver a chama no visor (fig. **2** 6, página 4).
- Mantenha o regulador de temperatura pressionado durante mais 20 segundos.

6.9 Desligar a geleira

- Rode a válvula de gás no aparelho e na garrafa de gás.

6.10 Descongelar a geleira

**NOTA!**

Não utilize ferramentas mecânicas para remover as camadas de gelo ou para libertar objetos congelados.

**OBSERVAÇÃO**

Com o tempo, forma-se gelo nas aletas de refrigeração existentes no interior do aparelho de refrigeração. Quando essa camada de gelo tiver aprox. 3 mm, o aparelho de refrigeração deve ser descongelado.

- ▶ Interrompa a alimentação de tensão e de gás.
- ▶ Esvazie o aparelho de refrigeração.
- ▶ Coloque um pano no espaço de refrigeração para recolher o excesso de água.
- ▶ Deixe a tampa aberta.
- ▶ Seque o espaço de refrigeração com um pano.

7 Limpeza e manutenção

**AVISO!**

Antes de cada limpeza e conservação, separe o aparelho da rede.

**NOTA! Perigo de danos!**

- Nunca limpe a geleira debaixo de água corrente nem dentro de água de lavar a loiça.
- Não utilize produtos de limpeza abrasivos ou objectos duros para a limpeza, uma vez que podem danificar a geleira.

- ▶ De vez em quando, limpe o interior e o exterior do aparelho com um pano húmido.
- ▶ Certifique-se que as aberturas de ventilação e extracção de ar do aparelho estão livres de pó e sujidade para que, durante o funcionamento, o ar quente possa ser extraído e o aparelho não seja danificado.

8 Garantia

É válido o prazo de garantia legal. Se o produto estiver com defeito, por favor, dirija-se à representação do fabricante no seu país (endereços, ver verso do manual) ou ao seu revendedor.

Para fins de reparação ou de garantia, terá de enviar os seguintes documentos em conjunto:

- uma cópia da factura com a data de aquisição,
- um motivo de reclamação ou uma descrição da falha.

9 Resolução de falhas

Falha	Possível causa	Sugestão de solução
O aparelho de refrigeração não funciona.	A geleira não foi corretamente instalada.	Controle se o aparelho se encontra na posição horizontal. Controle se está garantida uma ventilação suficiente.
	O circuito de refrigeração está avariado.	A reparação apenas pode ser realizada por um serviço de assistência técnica autorizado.
No funcionamento a corrente contínua: O aparelho de refrigeração não funciona (ficha inserida na tomada).	A tomada de corrente contínua existente no veículo não tem tensão.	Na maioria dos veículos, a ignição tem de estar ligada para que a tomada de corrente contínua tenha tensão elétrica.
	O casquilho da tomada de corrente contínua está sujo. Isto resulta num mau contacto elétrico.	Se a ficha ficar muito quente na tomada de corrente contínua, é necessário limpar o casquilho ou é possível que a ficha não esteja montada corretamente.
	O fusível da ficha de corrente contínua está queimado.	Substitua o fusível (fig. 6 1, página 7) da ficha de corrente contínua por um fusível equivalente.
	O fusível do veículo está queimado.	Substitua o fusível do veículo da tomada de corrente contínua (normalmente 15 A) (para isso, consulte o manual de instruções do seu automóvel).

Falha	Possível causa	Sugestão de solução
No funcionamento a corrente alternada: O aparelho de refrigeração não funciona (ficha inserida na tomada).	A tomada de corrente alternada está sem tensão elétrica.	Tente novamente noutra tomada.
No funcionamento a gás: O aparelho de refrigeração não funciona (aparelho de refrigeração ligado ao gás).	O aparelho de refrigeração não está corretamente ligado ao gás.	<p>Controle se está garantida uma alimentação de gás correta.</p> <p>Controle se a válvula da garrafa de gás está aberta.</p> <p>Controle se ainda existe gás na garrafa.</p> <p>Controle se foram ligadas várias fontes de energia em simultâneo.</p> <p>Para proceder à inflamação, mantenha o regulador de temperatura pressionado durante um período de tempo mais prolongado.</p>
O aparelho de refrigeração deixa de funcionar após um longo período de inatividade.	–	<p>Inverta a posição do aparelho de refrigeração desligado e aguarde durante aproximadamente cinco minutos.</p> <p>Volte a virar o aparelho de refrigeração e ligue-o de novo.</p>



10 Eliminação

- ▶ Sempre que possível, coloque o material de embalagem no respectivo contentor de reciclagem.



Para colocar o aparelho definitivamente fora de funcionamento, por favor, informe-se junto do centro de reciclagem mais próximo ou revendedor sobre as disposições de eliminação aplicáveis.

11 Dados técnicos

	ACX35	ACX40	ACX40G
Caudal térmico nominal Butano:	144 W		
Caudal térmico mínimo Butano:	123 W		–
Tensão de conexão:	12 V=== 220 – 240 V~, 50/60 Hz		
Consumo:	75 W	85 W	
Potência de refrigeração:	máx. 30 °C abaixo da temperatura ambiente		
Volume bruto:	33 l	41 l	
Volume útil:	31 l	40 l	
Consumo de energia:	1,4 kWh/24 h	1,6 kWh/24 h	
Classe de climatização:	N		
Temperatura ambiente:	16 a 32 °C		
Emissões acústicas:	0 dB		
Refrigerante	159 g H ₂ O + 86 g NH ₃		
Dimensões (L x A x P) em mm:	ver fig. 7 , página 8		
Peso:	aprox. 15 kg	aprox. 14 kg	aprox. 15 kg
Verificação/certificado:	 		

	ACX35		ACX40	
	28 – 30 mbar, 30 mbar, 37 mbar	50 mbar	28 – 30 mbar, 30 mbar, 37 mbar	50 mbar
N.º art.:	9105204280 9105204281 9105204282 9105204290	9105204279	9105204285 9105204287 9105204286 9105204288	9105204284
Consumo de gás:	10,5 g/h	9,9 g/h	10,5 g/h	9,9 g/h

	ACX40G
N.º art.:	9105204291 9105204289
Consumo de gás:	10,5 g/h

Prima di effettuare la messa in funzione leggere accuratamente questo manuale di istruzioni, conservarlo e, in caso di trasmissione dell'apparecchio consegnarlo all'utente successivo.

Il produttore declina ogni responsabilità per danni risultanti da un **uso non conforme alla destinazione** o **da un impiego scorretto**.

Indice

1	Spiegazione dei simboli	105
2	Istruzioni per la sicurezza	105
3	Dotazione	109
4	Conformità d'uso	110
5	Descrizione tecnica.	110
6	Impiego	112
7	Pulizia e cura	119
8	Garanzia	119
9	Risoluzione dei guasti	120
10	Smaltimento	121
11	Specifiche tecniche.	122

1 Spiegazione dei simboli

**AVVERTENZA!**

Avviso di sicurezza: la mancata osservanza di questo avviso può causare ferite gravi anche mortali.

**ATTENZIONE!**

Avviso di sicurezza: la mancata osservanza di questo avviso può essere causa di lesioni.

**AVVISO!**

La mancata osservanza di questa nota può causare danni materiali e compromettere il funzionamento del prodotto.

**NOTA**

Informazioni integranti relative all'impiego del prodotto.

2 Istruzioni per la sicurezza

2.1 Sicurezza generale

**AVVERTENZA!**

- Non aprire mai il gruppo di assorbimento perché è sotto alta pressione e, se aperto, può causare lesioni.
- Se il frigorifero portatile presenta danni visibili, non metterlo in funzione.
- Se il cavo di collegamento di questo apparecchio viene danneggiato, esso deve essere sostituito dal produttore, dal suo servizio assistenza clienti o da personale ugualmente qualificato, al fine di evitare pericoli.
- Il frigorifero portatile può essere riparato solo da personale specializzato. Possono insorgere gravi pericoli in seguito a riparazioni non eseguite in maniera corretta.

- Il frigorifero portatile può essere usato da bambini a partire dagli 8 anni in su e da persone con ridotte capacità fisiche, sensoriali o mentali oppure inesperti o con conoscenze insufficienti, se non sono lasciati soli o se sono stati istruiti sull'utilizzo sicuro dell'apparecchio e hanno compreso i pericoli che ne conseguono.
- La pulizia e la manutenzione da parte dell'utente non possono essere compiute da bambini lasciati soli.
- I bambini non possono giocare con il frigorifero portatile.
- Sorvegliare i bambini per evitare che giochino con il frigorifero portatile.
- Conservare e utilizzare il frigorifero portatile lontano dalla portata dei bambini al di sotto degli 8 anni.
- Nel frigorifero portatile non conservare sostanze esplosive come ad es. bombolette spray con gas propellente infiammabile.

**ATTENZIONE!**

- Scollegare il frigorifero portatile dall'alimentazione di corrente e gas
 - prima di effettuare la pulizia e la cura
 - dopo ogni utilizzo
- I prodotti alimentari possono essere conservati solo nelle confezioni originali o in contenitori adeguati.

**AVVISO!**

- Non aprire in nessun caso il circuito di raffreddamento.
- Il refrigerante nel circuito di raffreddamento è facilmente infiammabile. In caso di danneggiamento del circuito di raffreddamento:
 - Evitare fiamme libere e scintille.
 - Areare bene l'ambiente.
- Confrontare i dati della tensione riportati sulla targhetta con quelli delle prese e degli attacchi disponibili.
- Collegare il frigorifero portatile solo nel modo seguente:
 - inserendo il cavo di collegamento della corrente continua nell'apposita presa di bordo del veicolo (per es. accendisigari)
 - oppure collegando il cavo di collegamento della corrente alternata alla rete di alimentazione in corrente alternata
- Non estrarre mai la spina dalla presa tirando il cavo di collegamento.
- Quando il frigorifero portatile è collegato a un presa per corrente continua: Staccare il frigorifero portatile e le altre utenze dalla batteria del veicolo prima di collegare il caricabatterie rapido!

- Quando il frigorifero portatile è collegato a una presa per corrente continua: interrompere il collegamento o spegnere il frigorifero se il motore viene spento. Altrimenti la batteria del veicolo si può scaricare.
- Il frigorifero portatile non è adatto per il trasporto di sostanze corrosive o solventi.
- Questo frigorifero portatile contiene nell'isolamento ciclopentano infiammabile. I gas contenuti nel materiale di isolamento richiedono un processo di smaltimento particolare. Al termine della sua vita utile, smaltire il frigorifero portatile in modo conforme.

2.2 Sicurezza durante il funzionamento del frigorifero portatile



ATTENZIONE!

- Prima della messa in funzione, assicurarsi che la linea di alimentazione e la spina siano asciutte.
- Azionare il dispositivo solo in luoghi ben aerati.
- Azionare il dispositivo solo sotto il controllo dell'utente.
- Azionare il frigorifero portatile sempre e unicamente con una sola fonte di energia.



AVVISO!

- Non utilizzare apparecchi elettrici all'interno del frigorifero portatile, ad eccezione di quelli consigliati dal produttore.
- Non collocare il frigorifero portatile nelle vicinanze di fiamme libere o altre fonti di calore (riscaldamento, intensa esposizione ai raggi solari, forni a gas ecc.).
- **Pericolo di surriscaldamento!**
Assicurarsi sempre che il calore generato durante il funzionamento fuoriesca sufficientemente. Fare in modo che la distanza fra il frigorifero portatile e le pareti o altri oggetti sia tale da permettere all'aria di circolare liberamente.
- Fare attenzione che le aperture di aerazione non vengano coperte. Rispettare le distanze minime (fig. **1**, pagina 3).
- Non versare nessun tipo di liquido o ghiaccio nel contenitore interno.
- Non immergere mai il frigorifero portatile in acqua.

- Proteggere l'apparecchio e i cavi dal caldo e dall'umidità.
- Affinché il refrigerante possa circolare correttamente, il frigorifero portatile non deve superare un angolo di inclinazione di 3°. Posizionare il frigorifero portatile in orizzontale servendosi di una livella ad acqua.

2.3 Sicurezza durante il funzionamento a corrente continua



AVVISO!

- Selezionare il funzionamento a corrente continua (funzionamento a batteria) solo se viene impiegato un dispositivo di controllo automatico della batteria o se il generatore del veicolo produce sufficiente tensione.
- Impiegare solamente cavi con una sezione del cavo adeguata (vedi tabella a pagina 108).

2.4 Sicurezza durante il funzionamento a corrente alternata



AVVISO!

- Confrontare i dati della tensione riportati sulla targhetta con quelli delle prese e degli attacchi disponibili.
- Collegare il frigorifero portatile alla rete di alimentazione in corrente alternata usando esclusivamente il cavo previsto per l'allacciamento.
- Non estrarre mai la spina dalla presa tirando il cavo di collegamento.

2.5 Sicurezza durante il funzionamento a gas



AVVERTENZA!

- In caso di funzionamento a gas, il frigorifero portatile può essere utilizzato **esclusivamente** all'aria aperta.
- Non azionare mai il frigorifero portatile con gas
 - in veicoli stradali, natanti o ambienti chiusi
 - nei distributori di benzina
 - sui traghetti
- **Pericolo di asfissia!**
Il funzionamento del dispositivo con gas in un ambiente non aerato causa mancanza di ossigeno.

- Accertarsi che l'area sia sufficientemente aerata mentre il dispositivo è in funzione.
- Non utilizzare il dispositivo in ambienti non aerati come stanze chiuse, tende da campeggio, veicoli, roulotte, camper, navi, yacht, barche e cabine di autocarri.
- Non mettere il dispositivo in prossimità di materiali infiammabili (carta, fogliame secco, prodotti tessili).
- Tenere lontani gli oggetti infiammabili dal bruciatore.
- Il frigorifero portatile deve essere azionato **esclusivamente** con la pressione indicata sulla targhetta. Impiegare un regolatore di pressione, a regolazione fissa, con certificazione DIN-DVGW in conformità a DIN EN 16129.
- Non conservare **mai** le bombole di gas liquido in luoghi non aerati o al di sotto del livello del terreno (avvallamenti del terreno a forma di imbuto).
- Proteggere le bombole di gas liquido dalla diretta esposizione ai raggi solari. La temperatura non deve superare i 50 °C.
- Non usare mai fiamme libere per controllare eventuali difetti di tenuta nel frigorifero portatile.
- In caso di odore di gas:
 - Chiudere il rubinetto di intercettazione dell'alimentazione del gas e la valvola della bombola.
 - Non accendere nessun interruttore.
 - Spegnerne eventuali fiamme libere.
 - Far verificare l'impianto a gas da un esperto autorizzato.



AVVISO!

- Impiegare solo propano o butano (non metano).

3 Dotazione

Quantità	Denominazione
1	Frigorifero portatile ad assorbimento
1	Bacinella con coperchio per la produzione di cubetti di ghiaccio
1	Istruzioni per l'uso

4 Conformità d'uso

Il frigorifero portatile ad assorbimento è adatto per raffreddare generi alimentari.

Il frigorifero portatile può essere azionato con corrente continua, corrente alternata o gas.

L'apparecchio è adatto anche per il campeggio. Non esporre l'apparecchio alla pioggia.



ATTENZIONE! Pericolo per la salute!

Accertarsi che la capacità di raffreddamento del dispositivo sia conforme ai requisiti degli alimenti da raffreddare.

5 Descrizione tecnica

Il frigorifero è adatto per essere impiegato anche per l'uso mobile. Può raffreddare o mantenere freddi alimenti fino a un massimo di 30 °C al di sotto della temperatura ambiente.

Il frigorifero portatile con funzionamento a gas deve essere utilizzato solo all'aria aperta.

Il frigorifero portatile con funzionamento elettrico può essere utilizzato anche in ambienti chiusi.

5.1 Collegamenti

Pos. in fig. 2 , pagina 4	Denominazione
1	Cavo di collegamento della corrente alternata
2	Cavo di collegamento della corrente continua
3	Copertura per elementi di comando
4	Bocchettone di collegamento del gas (solo ACX35, ACX40)
5	Cartuccia di gas (solo ACX40G)
6	Spioncino per controllo visivo della fiamma

5.2 Elementi di comando

Pos. in fig. 3 , pagina 5	Denominazione
1	Regolatore della capacità di raffreddamento
2	Termoregolatore
3	Pulsante di accensione

Se il frigorifero portatile è collegato alla rete di alimentazione alternata, la capacità di raffreddamento desiderata viene regolata con il regolatore della capacità di raffreddamento **(1)**:

- Per **augmentare** la capacità di raffreddamento, ruotare il regolatore della capacità di raffreddamento **(1)** in senso orario.
Per ottenere la capacità di raffreddamento massima, ruotare il regolatore della capacità di raffreddamento **(1)** fino all'arresto in senso orario (posizione "7").
- Per ridurre la **capacità** di raffreddamento, ruotare il regolatore della capacità di raffreddamento **(1)** in senso antiorario.
- Per disattivare il frigorifero portatile, ruotare il regolatore della capacità di raffreddamento **(1)** in senso antiorario fino all'arresto (posizione "0").

Se il frigorifero portatile è collegato alla presa a corrente continua, la capacità di raffreddamento **non** può essere regolata.

Se il frigorifero portatile è collegato alla rete di alimentazione alternata, la capacità di raffreddamento desiderata viene regolata con il termoregolatore **(2)**.

- Per **augmentare** la capacità di raffreddamento, ruotare il termoregolatore **(2)** in senso orario.
Per raggiungere la capacità di raffreddamento massima, ruotare il termoregolatore **(2)** al punto di impostazione massima.
- Per ridurre la **capacità** di raffreddamento, ruotare il termoregolatore **(2)** in senso antiorario.
- Per disattivare il frigorifero portatile, ruotare il termoregolatore **(2)** in senso antiorario fino all'arresto (posizione "0").

6 Impiego



ATTENZIONE! Pericolo per la salute!

I prodotti alimentari possono essere conservati solo nelle confezioni originali o in contenitori adeguati.



AVVISO! Pericolo di danni!

- Assicurarsi che nel frigorifero si trovino solo oggetti o prodotti che possono essere raffreddati alla temperatura selezionata.
- Prestare attenzione a non raffreddare eccessivamente bevande o vivande liquide conservate in contenitori di vetro, in quanto esse si dilatano se congelate, provocando la rottura dei contenitori di vetro.
- Assicurarsi che il frigorifero sia ben aerato, in modo tale che il calore generato possa fuoriuscire; in caso contrario non è più garantito un funzionamento corretto. In particolare, fare attenzione che le aperture di aerazione non vengano coperte.



NOTA

- Per motivi igienici, prima della messa in funzione iniziale del frigorifero, pulirne l'interno e l'esterno con un panno umido (vedi anche capitolo "Pulizia e cura" a pagina 119).
- Iniziare a raffreddare il frigorifero portatile circa 24 ore prima di partire per il viaggio, allacciandolo alla rete o al gas. In questo modo è possibile ottenere più rapidamente la capacità di raffreddamento desiderata sul luogo di utilizzo.
- La capacità di raffreddamento può essere influenzata
 - dalla temperatura ambiente
 - dalla quantità di alimenti da conservare
 - dalla frequenza dell'apertura del coperchio
- Se si raffredda per un periodo lungo è possibile che alcune gocce d'acqua possano depositarsi all'interno del frigorifero. Questo è normale poiché l'umidità dell'aria si condensa in gocce d'acqua se la temperatura all'interno del frigorifero si abbassa. Il frigorifero non è guasto. Eliminarle se necessario con un panno asciutto.

- Per aprire la copertura (fig. **2** 3, pagina 4) per gli elementi di comando, premere sulla stessa.
- Per chiudere la copertura (fig. **2** 3, pagina 4) per gli elementi di comando, premere sulla stessa in direzione coperchio fino all'arresto.

6.1 Suggerimenti per risparmiare energia

- Scegliere un luogo di impiego ben aerato e riparato dai raggi solari.
- Prima di immagazzinare cibi caldi nell'apparecchio, lasciarli prima raffreddare.
- Non aprire il frigorifero più spesso del necessario.
- Non lasciare il frigorifero aperto più del necessario.

6.2 Utilizzare il frigorifero portatile con corrente continua

- Collocare il frigorifero portatile su una base piana e stabile.
- Collegare il cavo di collegamento per corrente continua (fig. **2** 2, pagina 4) alla presa di corrente continua del veicolo.
- ✓ Il vano interno del frigorifero inizia a raffreddarsi.
- Per spegnere il frigorifero, estrarre il cavo di collegamento per corrente continua.

6.3 Collegamento all'accendisigari



NOTA

Se il frigorifero viene collegato all'accendisigari del veicolo, fare attenzione se è necessario inserire l'accensione per alimentare l'apparecchio con la corrente.

6.4 Utilizzare il frigorifero portatile con corrente alternata

- Collocare il frigorifero portatile su una base piana e stabile.
- Collegare il cavo di collegamento per corrente alternata (fig. **2** 1, pagina 4) alla rete di alimentazione in corrente alternata.
- Ruotare il regolatore della capacità di raffreddamento (fig. **3** 1, pagina 5) nella posizione desiderata.
- ✓ Il vano interno del frigorifero inizia a raffreddarsi.

6.5 Collegare il frigorifero portatile ACX 35, ACX40 a un'alimentazione del gas esterna (DE, A, CH)



AVVERTENZA!

Il frigorifero portatile deve poter essere bloccato separatamente mediante un dispositivo di blocco nel tubo del gas. Il dispositivo di blocco deve essere facilmente accessibile.



AVVISO!

- Il frigorifero portatile può essere collegato all'alimentazione del gas solo da uno specialista in conformità alle prescrizioni e alle norme vigenti.
- Impiegare solo bombole di gas propano o butano (non metano, né gas di città) con valvola di riduzione della pressione certificata e con un cappuccio appropriato. Confrontare i dati della pressione riportati sulla targhetta con quelli indicati sul regolatore di pressione della bombola di gas propano o butano.
- Attenersi ai valori di pressione consentiti dal rispettivo Paese di appartenenza. Impiegare un regolatore di pressione, a regolazione fissa, con certificazione DIN-DVGW.
 - Per la Germania vale: DIN EN 16129.
 - Per l'Europa valgono: EN 732, EN 521 e EN 437:2003+A1:2009.
- Il frigorifero portatile deve essere azionato solo con tubi flessibili tecnicamente intatti. Sostituire immediatamente i tubi flessibili porosi o danneggiati.



NOTA

- Utilizzare un regolatore della pressione del gas conforme alla pressione del gas indicata sulla targhetta.

Procedere come segue (fig. **4**, pagina 5):

- Collocare il frigorifero portatile su una base piana e stabile.



AVVERTENZA!

Impiegare solo tubi flessibili certificati (DIN 4815 parte 2) con una lunghezza massima di 1,5 m.

- Collegare il tubo flessibile (**3**) al bocchettone del collegamento del gas (**2**) del frigorifero portatile.

Utilizzare a questo scopo due chiavi fisse (**1**) con aperture di 13 mm e 17 mm.

- Accertarsi che il tubo flessibile
 - non sia stato bloccato o piegato
 - e si trovi a una distanza di sicurezza dal bruciatore
- Estrarre il tappo di protezione (4) dal giunto di allacciamento di sicurezza (5) del collegamento del gas.
- Premere la boccola ad incastro del tubo flessibile (3) nel giunto di allacciamento di sicurezza (5) finché non si innesta con uno scatto udibile.
- Aprire la valvola (6) sul giunto di allacciamento di sicurezza (5).
- Aprire la valvola della bombola o del serbatoio del gas.

**AVVERTENZA!**

Non controllare mai la tenuta in presenza di fiamme libere o in prossimità di fonti di accensione.

- Controllare se tutti i collegamenti sono a tenuta utilizzando uno spray rilevatore di perdite.
I punti di collegamento sono ermetici se **non** si formano bolle.

Scollegare il frigorifero portatile dall'alimentazione del gas esterna

- Chiudere la valvola (6) del giunto di allacciamento di sicurezza (5) del collegamento del gas.
- Staccare il tubo flessibile (2) spostando il manicotto a innesto in direzione maniglia del rubinetto.
- Inserire il tappo di protezione (4) sul giunto di allacciamento di sicurezza (5).
- Ruotare il termoregolatore (fig. 3 2, pagina 5) su "O".

6.6 Collegare il frigorifero portatile ACX35, ACX40 a una bombola del gas

Osservare le seguenti categorie nazionali specifiche per tipo di gas e pressione del gas:

Paese	Categorie dei dispositivi
Danimarca, Finlandia, Ungheria, Norvegia, Polonia, Svezia	I ₃ B/P – 30 mbar
Belgio, Repubblica Ceca, Francia, Italia, Paesi Bassi, Portogallo, Slovacchia, Spagna, Regno Unito	I ₃ + – 28 – 30 / 37 mbar
Austria, Germania, Lussemburgo, Svizzera	I ₃ B/P – 50 mbar

- Collegare il frigorifero portatile ACX35, ACX40 al flessibile del gas (fig. **6**, pagina 7) e alla bombola del gas (fig. **7**, pagina 8).



AVVISO!

- Dopo aver collegato l'apparecchio all'alimentazione del gas, controllare la tenuta del tubo del gas su tutti i punti di contatto (tutti i raccordi filettati, i raccordi di collegamento dei tubi flessibili con fascette, il collegamento con la bombola del gas) con un mezzo schiumogeno, ad es. con acqua saponata.
- Eseguire anche un controllo visivo del tubo flessibile (per verificare che non siano presenti crepe, alterazioni, danni).
- Sostituire immediatamente il tubo flessibile danneggiato con uno nuovo.

6.7 Collegare la cartuccia del gas al frigorifero portatile ACX40G



AVVERTENZA!

- Attenersi alle istruzioni di trattamento e stoccaggio della cartuccia del gas.
- Accertarsi che i collegamenti della cartuccia di gas e del frigorifero portatile siano puliti.



NOTA

Il frigorifero portatile è adatto all'azionamento con cartucce di gas autobloccanti di modello CAMPINGAZ CP250.

- Premere la cartuccia di gas dal basso nel collegamento del frigorifero portatile (fig. **5**, pagina 6).



AVVERTENZA!

Non controllare mai la tenuta in presenza di fiamme libere o in prossimità di fonti di accensione.

- Controllare se tutti i collegamenti sono a tenuta utilizzando uno spray rilevatore di perdite.
I punti di collegamento sono ermetici se **non** si formano bolle.

Prima di muovere il frigorifero portatile:

- Estrarre la cartuccia del gas.

6.8 Utilizzare il frigorifero portatile con gas

- Ruotare il termoregolatore (fig. **3** 2, pagina 5) sul punto di impostazione massima.
- Premere e tenere premuto il termoregolatore.
- Dopo ca. 10 secondi premere rapidamente per diverse volte consecutive il tasto di accensione (fig. **3** 3, pagina 5) finché non si accende la fiamma.
- ✓ Dopo avvenuta accensione, la fiamma è visibile nello spioncino per controllo visivo della fiamma (fig. **2** 6, pagina 4).
- Tenere premuto il termoregolatore altri 20 secondi.

6.9 Come spegnere il frigorifero

- Chiudere ruotando la valvola del gas sul dispositivo e sulla bombola di gas.

6.10 Sbrinare il frigorifero portatile



AVVISO!

Non impiegare mai attrezzi meccanici per rimuovere gli strati di ghiaccio o per liberare oggetti congelati.



NOTA

Con il tempo si forma la brina sulle alette di raffreddamento all'interno del frigorifero portatile. Quando questo strato di brina raggiunge circa 3 mm, si consiglia di scongelare il frigorifero portatile.

- Interrompere l'alimentazione di tensione e di gas.
- Svuotare il frigorifero portatile.
- Appoggiare un asciugamano nel vano refrigerato per raccogliere l'acqua in eccesso.
- Lasciare il coperchio aperto.
- Asciugare il vano refrigerato con un panno.

7 Pulizia e cura

**AVVERTENZA!**

Staccare l'apparecchio dalla rete ogni volta che si effettua la pulizia e la cura.

**AVVISO! Pericolo di danni!**

- Non lavare mai il frigorifero sotto acqua corrente e non immergerlo in acqua per risciaccarlo.
- Per la pulizia non impiegare detergenti corrosivi oppure oggetti ruvidi, perché potrebbero danneggiare il frigorifero.

- Pulire l'interno e l'esterno dell'apparecchio di tanto in tanto con un panno umido.
- Assicurarsi che le aperture di aerazione e disaerazione dell'apparecchio siano prive di polvere e sporcizia in modo da permettere, al calore generato durante il funzionamento, di fuoriuscire e non danneggiare l'apparecchio.

8 Garanzia

Vale il termine di garanzia previsto dalla legge. Qualora il prodotto risultasse difettoso, La preghiamo di rivolgersi alla filiale del produttore del suo Paese (l'indirizzo si trova sul retro del manuale di istruzioni), oppure al rivenditore specializzato di riferimento.

Per la riparazione e per il disbrigo delle condizioni di garanzia è necessario inviare la seguente documentazione:

- una copia della fattura con la data di acquisto del prodotto,
- un motivo su cui fondare il reclamo, oppure una descrizione del guasto.

9 Risoluzione dei guasti

Guasto	Possibile causa	Proposta di soluzione
Il frigorifero non funziona.	Il frigorifero portatile non è stato posizionato correttamente.	Controllare se il dispositivo è in posizione orizzontale. Controllare se è garantita un'aerazione sufficiente.
	Il circuito di raffreddamento è difettoso.	I lavori di riparazione devono essere effettuati solo da un centro autorizzato per il Servizio Assistenza Clienti.
Con funzionamento a corrente continua: Il frigorifero portatile non funziona (la spina è inserita).	Nella presa di corrente continua del veicolo non c'è tensione.	Nella maggior parte dei veicoli è necessario che l'interruttore di accensione sia inserito perché alla presa di corrente continua possa arrivare tensione.
	La presa di corrente continua è sporca. Questo provoca un contatto elettrico sbagliato.	Se la spina inserita nella presa di corrente continua si scalda molto, significa che è necessario pulirla o che probabilmente non è montata in modo corretto.
	Il fusibile della spina di corrente continua è bruciato.	Sostituire il fusibile (fig. 6 1, pagina 7) della spina per corrente continua con un fusibile equivalente.
	Il fusibile del veicolo è bruciato.	Sostituire il fusibile del veicolo della presa di corrente continua (solitamente di 15 A; osservare inoltre il manuale di istruzioni del proprio veicolo).
Con funzionamento a corrente alternata: Il frigorifero portatile non funziona (la spina è inserita).	Nella presa di corrente alternata non c'è tensione.	Provare a collegare il dispositivo a un'altra presa.

Guasto	Possibile causa	Proposta di soluzione
<p>Con funzionamento a gas: Il frigorifero portatile non funziona (il frigorifero portatile è collegato al gas).</p>	<p>Il frigorifero portatile non è collegato correttamente al gas.</p>	<p>Controllare se è garantito il corretto rifornimento di gas. Controllare se la valvola della bombola del gas è aperta. Controllare se nella bombola c'è ancora gas. Controllare se diverse fonti di energia sono collegate contemporaneamente. Tenere premuto più a lungo il termoregolatore per l'accensione.</p>
<p>Dopo un periodo di inutilizzo prolungato, il frigorifero portatile non si avvia.</p>	<p>–</p>	<p>Prima di collegare il frigorifero portatile con una fonte di energia, capovolgerlo in modo che la parte superiore sia rivolta verso il basso e aspettare cinque minuti. Riportare il frigorifero portatile alla posizione iniziale e attivarlo nuovamente.</p>



10 Smaltimento

- Raccogliere il materiale di imballaggio possibilmente negli appositi contenitori di riciclaggio.



Quando il prodotto viene messo fuori servizio definitivamente, informarsi al centro di riciclaggio più vicino, oppure presso il proprio rivenditore specializzato, sulle prescrizioni adeguate concernenti lo smaltimento.

11 Specifiche tecniche

	ACX35	ACX40	ACX40G
Carico del calore nominale Butano:	144 W		
Carico del calore minimo Butano:	123 W		–
Tensione di allacciamento:	12 V=== 220 – 240 V~, 50/60 Hz		
Potenza assorbita:	75 W	85 W	
Capacità di raffreddamento:	fino a max 30 °C al di sotto della temperatura ambiente		
Capacità lorda:	33 l	41 l	
Volume utile:	31 l	40 l	
Consumo energetico:	1,4 kWh/24 h	1,6 kWh/24 h	
Classe climatica:	N		
Temperatura ambiente:	da 16 a 32 °C		
Emissioni acustiche:	0 dB		
Refrigerante	159 g H ₂ O + 86 g NH ₃		
Dimensioni (L x H x P) in mm:	vedi fig. 7 , pagina 8		
Peso:	ca. 15 kg	ca. 14 kg	ca. 15 kg
Certificati di controllo:	 		

	ACX35		ACX40	
	28 – 30 mbar, 30 mbar, 37 mbar	50 mbar	28 – 30 mbar, 30 mbar, 37 mbar	50 mbar
N. art.:	9105204280 9105204281 9105204282 9105204290	9105204279	9105204285 9105204287 9105204286 9105204288	9105204284
Consumo di gas:	10,5 g/h	9,9 g/h	10,5 g/h	9,9 g/h

	ACX40G
N. art.:	9105204291 9105204289
Consumo di gas:	10,5 g/h

Lees deze handleiding voor de ingebruikname zorgvuldig door en bewaar deze. Geef de handleiding bij doorgeven van het toestel door aan de gebruiker.

De fabrikant kan niet aansprakelijk worden gesteld voor schade die door **gebruik tegen de voorschriften in** of door **verkeerde bediening** wordt veroorzaakt.

Inhoudsopgave

1	Verklaring van de symbolen	125
2	Veiligheidsinstructies	125
3	Omvang van de levering	129
4	Gebruik volgens bestemming	129
5	Technische beschrijving	130
6	Bediening	131
7	Reiniging en onderhoud	137
8	Garantie	137
9	Verhelpen van storingen	138
10	Afvoer	139
11	Technische gegevens	140

1 Verklaring van de symbolen

**WAARSCHUWING!**

Veiligheidsaanwijzing: Het niet naleven kan leiden tot overlijden of ernstig letsel.

**VOORZICHTIG!**

Veiligheidsaanwijzing: Het niet naleven kan leiden tot letsel.

**LET OP!**

Het niet naleven ervan kan leiden tot materiële schade en de werking van het product beperken.

**INSTRUCTIE**

Aanvullende informatie voor het bedienen van het product.

2 Veiligheidsinstructies

2.1 Algemene veiligheid

**WAARSCHUWING!**

- Open het absorptieaggregaat nooit. Het staat onder hoge druk en kan letsel veroorzaken, als het wordt geopend.
- Als het toestel zichtbaar is beschadigd, mag het niet in gebruik worden genomen.
- Als de aansluitkabel van dit koelapparaat wordt beschadigd, moet deze ter voorkoming van gevaar door de fabrikant, diens klantenservice of een gelijkwaardig gekwalificeerd persoon worden vervangen.
- Reparaties aan dit koelapparaat mogen uitsluitend door vakmonteurs worden uitgevoerd. Door onvakkundige reparaties kunnen grote gevaren ontstaan.
- Dit koelapparaat kan door kinderen vanaf 8 jaar en ouder evenals door personen met verminderde fysieke, zintuiglijke of geestelijke vermogens of tekortschietende ervaring en kennis gebruikt worden, als ze worden begeleid of hun is uitgelegd hoe ze het koelapparaat veilig kunnen gebruiken. Ook dienen ze inzicht te hebben in de gevaren die het gebruik van het toestel met zich meebrengt.

- Reiniging en gebruikeronderhoud mogen niet door kinderen zonder begeleiding worden uitgevoerd.
- Kinderen mogen niet met het koelapparaat spelen.
- Er moet op worden gelet dat kinderen niet met het koelapparaat spelen.
- Bewaar en gebruik het koelapparaat buiten het bereik van kinderen onder 8 jaar.
- Bewaar geen explosiegevaarlijke stoffen, zoals spuitbussen met brandbaar drijfgas, in het koelapparaat.

**VOORZICHTIG!**

- Scheid het koelapparaat van de stroom- en gastoevoer
 - voor iedere reiniging en ieder onderhoud
 - na elk gebruik
- Levensmiddelen mogen alleen in de originele verpakking of in geschikte bakken worden bewaard.

**LET OP!**

- Open in geen geval het koelcircuit.
- Het koudemiddel in het koelcircuit is licht ontvlambaar. Bij een beschadiging van het koelcircuit:
 - Vermijd open vuur en ontstekingsvonken.
 - Ventileer de ruimte goed.
- Vergelijk de spanning op het typeplaatje met de aanwezige energievoorziening.
- Sluit het koelapparaat alleen als volgt aan:
 - met de gelijkstroom-aansluitkabel op de gelijkstroom-boordcontactdoos (bijvoorbeeld sigarettenaansteker) in het voertuig
 - of met de wisselstroom-aansluitkabel op het wisselstroomnet
- Trek de stekker nooit aan de aansluitkabel uit het stopcontact.
- Als het koelapparaat op het gelijkstroom-stopcontact is aangesloten: Ontkoppel uw koelapparaat en andere verbruikers van de accu voordat u een snellader aansluit.
- Als het koelapparaat op het gelijkstroom-stopcontact is aangesloten: Ontkoppel de verbinding of schakel het koelapparaat uit, als u de motor uitschakelt. Anders kan de voertuigaccu leeg raken.
- Het koelapparaat is niet geschikt voor het transport van bijtende of oplosmiddelhoudende stoffen.

- Dit koelapparaat bevat in de isolatie brandbaar cyclopentaan. De gasen in het isoleringsmateriaal vereisen een bijzonder afvoerproces. Voer het koelapparaat aan het einde van zijn levensduur volgens de voorschriften af.

2.2 Veiligheid bij gebruik van het koelapparaat



VOORZICHTIG!

- Let er voor de ingebruikneming op dat toevoerleiding en stekker droog zijn.
- Gebruik het apparaat alleen op goed geventileerde plaatsen.
- Gebruik het apparaat alleen onder toezicht.
- Gebruik het koelapparaat alleen met één enkele energiebron.



LET OP!

- Gebruik geen elektrische apparaten in het koelapparaat, behalve als deze elektrische apparaten daarvoor door de fabrikant worden aanbevolen.
- Plaats het koelapparaat niet in de buurt van open vuur of andere warmtebronnen (verwarming, sterke zonnestraling, gasovens enz.).
- **Oververhittingsgevaar!**
Let er altijd op dat de warmte die bij het gebruik ontstaat goed afgevoerd kan worden. Zorg ervoor dat het koelapparaat op voldoende afstand tot wanden en voorwerpen staat, zodat de lucht kan circuleren.
- Let erop dat de ventilatieopeningen niet worden afgedekt. Houd de minimumafstand aan (afb. **1**, pagina 3).
- Vul het binnenreservoir niet met vloeistoffen of ijs.
- Dompel het koelapparaat nooit onder in water.
- Bescherm het koelapparaat en de kabels tegen hitte en vocht.
- Voor een optimale circulatie van het koudemiddel mag het koelapparaat een hellingshoek van hooguit 3° hebben. Plaats hiervoor het koelapparaat met een waterpas horizontaal.

2.3 Veiligheid tijdens bedrijf met gelijkstroom



LET OP!

- Kies gebruik met gelijkstroom (accubedrijf) alleen als u een accu-monitor gebruikt of de voertuiggenerator voldoende spanning levert.
- Gebruik alleen kabels met de juiste kabeldiameter.

2.4 Veiligheid tijdens bedrijf met wisselstroom



LET OP!

- Vergelijk de spanning op het typeplaatje met de aanwezige energievoorziening.
- Sluit het koelapparaat alleen met de bijbehorende aansluitkabel aan op het wisselstroomnet.
- Trek de stekker nooit aan de aansluitkabel uit het stopcontact.

2.5 Veiligheid tijdens bedrijf met gas



WAARSCHUWING!

- Het koelapparaat mag bij gebruik met gas **uitsluitend** buiten worden gebruikt.
- Gebruik het koelapparaat nooit met gas
 - in straatvoertuigen, watervoertuigen of gesloten ruimtes
 - op tankstations
 - op ponten
- **Gevaar voor verstikking!**
Gebruik van het apparaat met gas in een ongeventileerd bereik leidt tot zuurstoftekort in dit bereik.
- Zorg ervoor dat het bereik voldoende geventileerd is, als het apparaat in bedrijf is.
- Gebruik het apparaat niet in ongeventileerde bereiken zoals gesloten ruimtes, tenten, voertuigen, campers, caravans, schepen, jachten, boten en vrachtwagencabines.
- Plaats het apparaat niet in de buurt van ontvlambare materialen (papier, droge bladeren, textiel).
- Houd ontvlambare voorwerpen uit de buurt van de brander.
- Het koelapparaat mag **uitsluitend** met de op het typeplaatje aangegeven druk worden gebruikt. Gebruik een vast ingestelde DIN-DVGW-erkende drukregelaar conform DIN EN 16129.

- Bewaar de flessen met vloeibaar gas **nooit** op niet-geventileerde plaatsen of onder grondniveau (trechtersvormige kuilen in de grond).
- Bescherm flessen met vloeibaar gas tegen directe zonnestralen. De temperatuur mag niet hoger zijn dan 50 °C.
- Test het koelapparaat nooit met open vuur op ondichtheid.
- Bij gasgeur:
 - Sluit de afsluitkraan van de gasverzorging en de flesklep.
 - Bedien geen elektrische schakelaars.
 - Blus open vuur.
 - Laat de gasinstallatie door een vakbedrijf controleren.

**LET OP!**

- Gebruik uitsluitend propaan- of butaangas (geen aardgas).

3 Omvang van de levering

Hoeveelheid	Aanduiding
1	Absorptie-koelbox
1	Schaal met deksel voor het maken van ijsblokjes
1	Gebruiksaanwijzing

4 Gebruik volgens bestemming

De absorptie-koelbox is geschikt voor het koelen van levensmiddelen.

De koelbox kan met gelijkstroom, wisselstroom of gas worden gebruikt.

Het toestel is ook voor op de camping geschikt. Het toestel mag niet aan regen worden blootgesteld.

**VOORZICHTIG! Gevaar voor de gezondheid!**

Controleer of het koelvermogen van het apparaat voldoet aan de eisen van de levensmiddelen die u wilt koelen.

5 Technische beschrijving

Het koelapparaat is geschikt voor mobiel gebruik. Het kan uren tot max. 30 °C onder omgevingstemperatuur afkoelen of koel houden.

Het koelapparaat mag bij gebruik met gas uitsluitend buiten worden gebruikt.

Het koelapparaat mag bij gebruik met elektriciteit ook in gesloten ruimtes worden gebruikt.

5.1 Aansluitingen

Pos. in afb. 2 , pagina 4	Aanduiding
1	Wisselstroom-aansluitkabel
2	Gelijkstroom-aansluitkabel
3	Afdekking voor bedienelementen
4	Gas-aansluitpunten (alleen ACX35, ACX40)
5	Gaspatroon (alleen ACX40G)
6	Vlamvenster

5.2 Bedieningselementen

Pos. in afb. 3 , pagina 5	Aanduiding
1	Koelvermogenregelaar
2	Temperatuurregelaar
3	Ontstekingstoets

Als het koelapparaat op het wisselstroomnet is aangesloten, wordt het gewenste koelvermogen met de koelvermogenregelaar **(1)** ingesteld:

- Om het koelvermogen te **verhogen**, draait u de koelvermogenregelaar **(1)** rechtsom.

Voor het maximale koelvermogen draait u de koelvermogenregelaar **(1)** helemaal rechtsom (positie „7“).

- ▶ Om het koelvermogen te **verlagen**, draait u de koelvermogenregelaar(1) linksom.
- ▶ Om het koelapparaat uit te schakelen, draait u de koelvermogenregelaar(1) helemaal linksom (positie „0”).

Als het koelapparaat op de gelijkstroomcontactdoos is aangesloten, kan het koelvermogen **niet** worden ingesteld.

Als het koelapparaat met gas wordt gebruikt, wordt het gewenste koelvermogen met de temperatuurregelaar (2) ingesteld.

- ▶ Om het koelvermogen te **verhogen**, draait u de temperatuurregelaar (2) rechtsom.
Voor het maximale koelvermogen draait u de temperatuurregelaar (2) in de hoogste instelling.
- ▶ Om het koelvermogen te **verlagen**, draait u de temperatuurregelaar (2) linksom.
- ▶ Om het koelapparaat uit te schakelen, draait u de temperatuurregelaar (2) helemaal rechtsom (positie „0”).

6 Bediening



VOORZICHTIG! Gevaar voor de gezondheid!

Levensmiddelen mogen alleen in de originele verpakking of in geschikte bakken worden bewaard.



LET OP! Gevaar voor beschadiging!

- Zorg ervoor dat er zich alleen voorwerpen of waren in het koelapparaat bevinden die op de gekozen temperatuur gekoeld mogen worden.
- Zorg ervoor dat drank of voedsel in glazen flessen niet te sterk afkoelt. Bij het bevriezen zetten drank of vloeibare levensmiddelen uit. Hierdoor kunnen de glazen flessen kapot gaan.
- Zorg ervoor dat het koelapparaat goed geventileerd wordt, zodat de weggetrokken warmte kan worden afgevoerd. Anders is een optimale werking niet gegarandeerd. Met name de ventilatieopeningen mogen niet worden afgedekt.



INSTRUCTIE

- Voordat u het nieuwe koelapparaat in gebruik neemt, moet u het om hygiënische redenen van binnen en van buiten reinigen met een vochtige doek (zie ook hoofdstuk „Reiniging en onderhoud“ op pagina 137).
- Koel het koelapparaat voor het begin van de reis ongeveer 24 uur aan het net of met gas voor. Hierdoor heeft u op de plaats van opstelling sneller het gewenste koelvermogen.
- Het koelvermogen kan worden beïnvloed door
 - de omgevingstemperatuur
 - de hoeveelheid levensmiddelen die geconserveerd dienen te worden
 - het aantal keren dat de deksel wordt geopend
- Een paar waterdruppels kunnen zich afzetten binnen het koelapparaat, als die voor langere tijd heeft gekoeld. Dat is normaal, aangezien het vocht in de lucht tot waterdruppels condenseert, als de temperatuur in het koelapparaat afkoelt. Het koelapparaat is niet defect. Wis het eventueel af met een droge doek.

- Druk op de afdekking (afb. **2** 3, pagina 4) voor de bedienelementen, om deze te openen.
- Druk de afdekking (afb. **2** 3, pagina 4) voor de bedienelementen richting deksel tot deze vergrendelt, om de afdekking te sluiten.

6.1 Tips om energie te sparen

- Kies een goed geventileerde en tegen zonnestralen beschermde plaats.
- Laat warme spijzen eerst afkoelen, voordat u ze in het toestel koel houdt.
- Open het koeltoestel niet vaker dan nodig.
- Laat het koeltoestel niet langer open dan nodig is.

6.2 Koelbox met gelijkstroom gebruiken

- Plaats het koelapparaat op een vaste, effen ondergrond.
- Sluit de gelijkstroomaansluitkabel (afb. **2** 2, pagina 4) aan op de gelijkstroom-contactdoos van het voertuig.
- ✓ Het koelapparaat start met het koelen van de binnenruimte.
- Trek de gelijkstroom-aansluitkabel eruit om het koelapparaat uit bedrijf te nemen.

6.3 Aansluiten op de sigarettenaansteker



INSTRUCTIE

Let erop dat u eventueel het contact moet inschakelen om het apparaat van stroom te voorzien, als u het koeltoestel aansluit op de sigarettenaansteker van uw voertuig.

6.4 Koelbox met wisselstroom gebruiken

- ▶ Plaats het koelapparaat op een vaste, effen ondergrond.
- ▶ Sluit de wisselstroomaansluitkabel (afb. **2** 1, pagina 4) aan op het wisselstroomnet.
- ▶ Draai de koelvermogenregelaar (afb. **3** 1, pagina 5) in de gewenste stand.
- ✓ Het koelapparaat start met het koelen van de binnenruimte.

6.5 Koelbox ACX35, ACX40 op een externe gastoevoer aansluiten (DE, A, CH)



WAARSCHUWING!

Het koelapparaat moet door een afsluitinrichting in de gasleiding afzonderlijk kunnen worden afgesloten. De afsluitinrichting moet goed toegankelijk zijn.



LET OP!

- Het koelapparaat mag alleen door een vakman volgens de geldende voorschriften en normen op de gasvoorziening worden aangesloten.
- Gebruik uitsluitend propaan- of butaangasflessen (geen aardgas of stadsgas) met gekeurd drukreducerend ventiel en passend kopstuk. Vergelijk de druk op het typeplaatje met de druk op de drukregelaar van de propaan- of butaangasfles.
- Neem de in uw land toegestane drukwaarden in acht. Gebruik een vast ingestelde DIN-DVGW-erkende drukregelaar:
 - Voor Duitsland geldt: DIN EN 16129.
 - Voor Europa geldt: EN 732, EN 521 en EN 437:2003+A1:2009.
- Het koelapparaat mag alleen met technisch onberispelijke slangleidingen worden gebruikt. Vervang poreuze of beschadigde slangleidingen onmiddellijk.

**INSTRUCTIE**

- Gebruik een gasdrukregelaar overeenkomstig de gasdruk die op het typeplaatje is aangegeven.

Ga als volgt te werk (afb. **4**, pagina 5):

- Plaats het koelapparaat op een vaste, effen ondergrond.

**WAARSCHUWING!**

Gebruik uitsluitend gekeurde slangleidingen (DIN 4815 deel 2) met een maximale lengte van 1,5 m.

- Verbind de slangleiding (**3**) met de gasaansluiting (**2**) van het koelapparaat. Gebruik hiervoor twee steeksleutels (**1**) met de breedtes 13 mm en 17 mm.
- Zorg ervoor dat de slangleiding
 - niet ingeklemd of geknikt is
 - op veilige afstand van de brander is
- Trek de beschermkap (**4**) van de veiligheid-aansluitkoppeling (**5**) van de gasaansluiting.
- Druk de steekmof van de slangleiding (**3**) in de veiligheid-aansluitkoppeling (**5**) tot deze hoorbaar vergrendelt.
- Open de klep (**6**) van de veiligheid-aansluitkoppeling (**5**).
- Open de gasfles- of gashouderklep.

**WAARSCHUWING!**

Controleer de dichtheid nooit met open vuur of in de buurt van ontstekingsbronnen.

- Controleer alle verbindingen met lekspray op lekdichtheid. De verbindingen zijn dicht, als **geen** belletjes zichtbaar zijn.

Koelbox van externe gastoevoer scheiden

- Sluit de klep (**6**) van de veiligheid-aansluitkoppeling (**5**) van de gasaansluiting.
- Koppel de slangleiding (**2**) los, door de schuifhuls richting greep te verschuiven.
- Steek de beschermkap (**4**) op de veiligheid-aansluitkoppeling (**5**).
- Draai de temperatuurregelaar (afb. **3** 2, pagina 5) op „O”.

6.6 Koelbox ACX35, ACX40 op een gasfles aansluiten

Neem de volgende nationaal specifieke categorieën met betrekking tot gassoort en gasdruk in acht:

Land	Apparaatcategorieën
Denemarken, Finland, Hongarije, Noorwegen, Polen, Zweden	I ₃ B/P – 30 mbar
België, Tsjechische Republiek, Frankrijk, Italië, Nederland, Portugal, Slowakije, Spanje, Verenigd Koninkrijk	I ₃ + – 28 – 30 / 37 mbar
Oostenrijk, Duitsland, Luxemburg, Zwitserland	I ₃ B/P – 50 mbar

- Sluit de koelbox ACX35, ACX40 aan op de gas slang (afb. **6**, pagina 7) en de gasfles (afb. **7**, pagina 8).



LET OP!

- Controleer na de aansluiting van het apparaat op de gastoevoer de dichtheid van de gasleiding aan alle verbindingpunten (alle schroefdraadverbindingen, slangaansluitverbindingen met klemmen, verbinding met de gasfles) met een schuimvormend middel bijvoorbeeld met zeepoplossing.
- Voer ook een visuele controle van de slang uit (op scheuren, vertering, beschadiging).
- Vervang een gebrekkige slang direct door een nieuwe.

6.7 Gaspatroon op koelbox ACX40G aansluiten



WAARSCHUWING!

- Neem de behandelings- en opslagaanwijzingen van de gaspatroon in acht.
- Zorg ervoor dat de aansluitingen van de gaspatroon en het koelapparaat schoon zijn.



INSTRUCTIE

Het koelapparaat is geschikt voor gebruik met zelfbeveiligende gaspatronen van het type CAMPINGAZ CP250.

- Druk de gaspatroon van onderen in de aansluiting van het koelapparaat (afb. **5**, pagina 6).

**WAARSCHUWING!**

Controleer de dichtheid nooit met open vuur of in de buurt van ontstekingsbronnen.

- Controleer alle verbindingen met lekspray op lekdichtheid. De verbindingen zijn dicht, als **geen** belletjes zichtbaar zijn.

Voor elke beweging van het koelapparaat:

- Neem de gaspatroon eruit.

6.8 Koelbox met gas gebruiken

- Draai de temperatuurregelaar (afb. **3** 2, pagina 5) op de hoogste stand.
- Druk op de temperatuurregelaar en houd deze ingedrukt.
- Druk na ca. 10 seconden meerdere keren snel op de ontstekingstoets (afb. **3** 3, pagina 5) tot de vlam ontsteekt.
- ✓ Na succesvolle ontsteking is de vlak in het vlamvenster zichtbaar (afb. **2** 6, pagina 4).
- Houd de temperatuurregelaar nog 20 seconden ingedrukt.

6.9 Koelbox uitschakelen

- Draai de gasklep van het apparaat en van de gasklap dicht.

6.10 Koelbox ontdooien

**LET OP!**

Gebruik geen mechanisch gereedschap voor het verwijderen van ijslagen of het losmaken van vastgevroren voorwerpen.

**INSTRUCTIE**

Na verloop van tijd vormt zich rijp op de koelribben in het koelapparaat. Als deze rijplaag ongeveer 3 mm bedraagt, moet het koelapparaat worden ontdooid.

- Onderbreek de spanning- en gastoevoer.
- Leeg het koelapparaat.

- Leg een doek in de koelruimte om overtollig water op te vangen.
- Laat de deksel geopend.
- Veeg de koelruimte met een doek droog.

7 Reiniging en onderhoud



WAARSCHUWING!

Scheid voor elke reiniging en verzorging het toestel van het net.



LET OP! Gevaar voor beschadiging!

- Reinig het koeltoestel nooit onder stromend water of in afwaswater.
- Gebruik voor het reinigen geen bijtende schoonmaakmiddelen of harde voorwerpen, aangezien het koeltoestel hierdoor beschadigd zou kunnen raken.

- Reinig het toestel van binnen en buiten af en toe met een vochtige doek.
- Zorg ervoor dat de ventilatieopeningen van het toestel vrij zijn van stof en verontreinigingen, zodat de bij het gebruik ontstane warmte kan worden afgevoerd en het toestel niet beschadigd raakt.

8 Garantie

De wettelijke garantieperiode is van toepassing. Als het product defect is, wendt u zich tot het filiaal van de fabrikant in uw land (adressen zie achterkant van de handleiding) of tot uw speciaalzaak.

Voor de afhandeling van de reparatie of garantie dient u de volgende documenten mee te sturen:

- een kopie van de factuur met datum van aankoop,
- reden van de klacht of een beschrijving van de storing.

9 Verhelpen van storingen

Storing	Mogelijke oorzaak	Voorstel tot oplossing
Het koelapparaat werkt niet.	De koelbox is niet correct opgesteld.	Controleer of het apparaat waterpas staat. Controleer of er voldoende ventilatie is.
	De koelkring is defect.	De reparatie kan alleen door een geautoriseerd servicebedrijf uitgevoerd worden.
Bij gebruik met gelijkstroom: Het koelapparaat werkt niet (stekker in het stopcontact).	Aan de gelijkstroomcontactdoos in het voertuig is geen spanning.	In de meeste voertuigen moet de contactschakelaar ingeschakeld zijn om de gelijkstroomcontactdoos van spanning te voorzien.
	De fitting van de gelijkstroomcontactdoos is vervuild. Dit heeft een slecht elektrisch contact tot gevolg.	Als de stekker in gelijkstroomcontactdoos heel warm wordt, moet de fitting worden gereinigd of is de stekker mogelijk niet juist gemonteerd.
	De zekering van de gelijkstroomstekker is doorgebrand.	Vervang de zekering (afb. 6 1, pagina 7) van de gelijkstroomstekker door een gelijkwaardige zekering.
	De voertuigzekering is doorgebrand.	Vervang de voertuigzekering van de gelijkstroomcontactdoos (normaal 15 A) (neem hiervoor de bedieningshandleiding van uw voertuig in acht).
Bij gebruik met wisselstroom: Het koelapparaat werkt niet (stekker in het stopcontact).	Op de wisselstroomcontactdoos staat geen spanning.	Probeer een ander stopcontact.

Storing	Mogelijke oorzaak	Voorstel tot oplossing
Bij gebruik met gas: Het koelapparaat werkt niet (koelapparaat is op gas aangesloten).	Het toestel is niet correct op het gas aangesloten.	<p>Controleer of de gastoevoer optimaal functioneert.</p> <p>Controleer of de klep van de gasfles open is.</p> <p>Controleer of er nog gas in de fles is.</p> <p>Controleer of meerdere energiebronnen gelijktijdig zijn aangesloten.</p> <p>Houd de temperatuurregelaar voor het ontsteken langer ingedrukt.</p>
Het koelapparaat start niet na langere tijd niet gebruikt te zijn.	–	<p>Draai het koelapparaat zonder aangesloten energiebronnen om, en wacht ongeveer vijf minuten.</p> <p>Draai het koelapparaat weer om en schakel het opnieuw in.</p>


10 Afvoer

- Laat het verpakkingsmateriaal indien mogelijk recylen.



Als u het product definitief buiten bedrijf stelt, informeer dan bij het dichtstbijzijnde recyclingcentrum of uw speciaalzaak naar de betreffende afvoervoorschriften.

11 Technische gegevens

	ACX35	ACX40	ACX40G
Nominale warmtebelasting Butaan:	144 W		
Minimale warmtebelasting Butaan:	123 W		–
Aansluitspanning:	12 V $\overline{=}$ 220 – 240 V \sim , 50/60 Hz		
Opgenomen vermogen:	75 W	85 W	
Koelvermogen:	max. 30 °C onder omgevingstemperatuur		
Bruto-inhoud:	33 l	41 l	
Nuttige inhoud:	31 l	40 l	
Energieverbruik:	1,4 kWh/24 h	1,6 kWh/24 h	
Klimaatklasse:	N		
Omgevingstemperatuur:	16 tot 32 °C		
Geluidsemisatie:	0 dB		
Koelmiddel	159 g H ₂ O + 86 g NH ₃		
Afmetingen (b x h x d) in mm:	zie afb. 7 , pagina 8		
Gewicht:	ca. 15 kg	ca. 14 kg	ca. 15 kg
Keurmerk/certificaat:			

	ACX35		ACX40	
	28 – 30 mbar, 30 mbar, 37 mbar	50 mbar	28 – 30 mbar, 30 mbar, 37 mbar	50 mbar
Artikelnr.:	9105204280 9105204281 9105204282 9105204290	9105204279	9105204285 9105204287 9105204286 9105204288	9105204284
Gasverbruik:	10,5 g/h	9,9 g/h	10,5 g/h	9,9 g/h

	ACX40G
Artikelnr.:	9105204291 9105204289
Gasverbruik:	10,5 g/h

Læs denne vejledning omhyggeligt igennem før ibrugtagning, og gem den. Giv den til brugeren, hvis du giver apparatet videre.

Producenten hæfter ikke for skader, der er forårsaget af **ukorrekt brug** eller **forkert betjening**.

Indholdsfortegnelse

1	Forklaring af symbolerne	143
2	Sikkerhedshenvisninger	143
3	Leveringsomfang	147
4	Korrekt brug	147
5	Teknisk beskrivelse	148
6	Betjening	149
7	Rengøring og vedligeholdelse	155
8	Garanti	155
9	Udbedring af fejl	156
10	Bortskaffelse	157
11	Tekniske data	157

1 Forklaring af symbolerne

**ADVARSEL!**

Sikkerhedshenvisning: Manglende overholdelse kan medføre død eller alvorlig kvæstelse.

**FORSIGTIG!**

Sikkerhedshenvisning: Manglende overholdelse kan medføre kvæstelser.

**VIGTIGT!**

Manglende overholdelse kan medføre materielle skader og begrænse produktets funktion.

**BEMÆRK**

Supplerende informationer om betjening af produktet.

2 Sikkerhedshenvisninger

2.1 Generel sikkerhed

**ADVARSEL!**

- Åbn aldrig absorptionsaggregatet. Det står under tryk og kan forårsage kvæstelser, når det åbnes.
- Hvis køleapparatet har synlige beskadigelser, må du ikke tage det i brug.
- Hvis dette køleapparats tilslutningskabel beskadiges, skal det udskiftes af producenten, dennes kundeservice eller en lignende kvalificeret person for at undgå farer.
- Reparationer på dette køleapparat må kun foretages af fagfolk. Ved ukorrekte reparationer kan der opstå betydelige farer.
- Dette køleapparat kan anvendes af børn over 8 år og derudover af personer med begrænsede fysiske, sanse- eller mentale evner eller uden erfaring eller viden, hvis de er under opsyn eller blev instrueret i sikker brug af køleapparatet og forstår farerne, der følger heraf.
- Rengøring og brugerens vedligeholdelse må ikke udføres af børn uden opsyn.

- Børn må ikke lege med køleapparatet.
- Børn bør være under opsyn for at sikre, at de ikke leger med køleapparatet.
- Opbevar og anvend køleapparatet uden for børns rækkevidde (under 8 år).
- Opbevar ikke eksplosive stoffer, som f.eks. spraydåser med drivgas, i køleapparatet.

**FORSIGTIG!**

- Afbryd køleapparatet fra strøm- og gasforsyningen
 - før rengøring og vedligeholdelse
 - efter brug
- Levnedsmidler må kun opbevares i original emballage eller egnede beholdere.

**VIGTIGT!**

- Åbn under ingen omstændigheder kølekredsløbet.
- Kølemidlet i kølekredsløbet er letantændeligt.
Ved en beskadigelse af kølekredsløbet:
 - Undgå åben ild og antændelsesgnister.
 - Udluft rummet grundigt.
- Sammenlign spændingsangivelsen på typeskiltet med energiforsyningen, der er til rådighed.
- Tilslut kun køleapparatet på følgende måde:
 - til den interne jævnstrømsstikdåse (f.eks. cigarettænderen) i køretøjet med jævnstrøms tilslutningskablet
 - eller til vekselstrømnettet med vekselstrøms tilslutningskablet
- Træk aldrig stikket ud af stikdåsen med tilslutningskablet.
- Når køleapparatet er tilsluttet til jævnstrømsstikdåsen: Afbryd kølecontaineren og andre forbrugere fra køretøjsbatteriet, før du tilslutter en hurtigoplader.
- Når køleapparatet er tilsluttet til jævnstrømsstikdåsen: Afbryd forbindelsen, eller slå køleapparatet fra, når motoren standses. I modsat fald kan køretøjsbatteriet blive afladet.
- Køleapparatet er ikke egnet til transport af stoffer, der er ætsende eller indeholder opløsningsmidler.

- Dette køleapparat indeholder brændbart cyklopentan i isoleringen. Gasserne i isoleringsmaterialet kræver en særlig bortskaffelsesmetode. Aflever køleapparatet til korrekt bortskaffelse ved afslutningen af dets levetid.

2.2 Sikkerhed under anvendelse af køleapparatet



FORSIGTIG!

- Kontrollér før ibrugtagning, at ledningen og stikket er tørre.
- Anvend kun apparatet på steder, der er godt ventileret.
- Anvend kun apparatet under opsyn.
- Tilslut altid kun køleapparatet til en energikilde.



VIGTIGT!

- Anvend ikke el-apparater i køleapparatet, undtagen hvis producenten anbefaler disse el-apparater hertil.
- Stil ikke køleapparatet i nærheden af åben ild eller andre varmekilder (varmeapparater, stærk sol, gasovne osv.).
- **Fare for overophedning!**
Sørg altid for, at varme, der opstår under driften, kan føres tilstrækkeligt bort. Sørg for, at køleapparatet har tilstrækkelig afstand til vægge og genstande, så luften kan cirkulere.
- Ventilationsåbningerne må ikke tildækkes.
Overhold minimumafstandene (fig. **1**, side 3).
- Fyld ikke væsker eller is i den indvendige beholder.
- Dyp aldrig køleapparatet i vand.
- Beskyt køleapparatet og kablerne mod varme og fugtighed.
- For at kølemidlet kan cirkulere korrekt, må køleapparatet ikke overskride en hældningsvinklen på 3°. Placér køleapparatet vandret ved hjælp af et vaterpas.

2.3 Sikkerhed under driften med jævnstrøm



VIGTIGT!

- Vælg kun drift med jævnstrøm (batterifunktion), hvis du anvender en batteriovervågning eller hvis køretøjets generator leverer tilstrækkelig spænding.
- Anvend kun kabler med det pågældende kabeltværsnit (se tabel på side 145).

2.4 Sikkerhed under driften med vekselstrøm



VIGTIGT!

- Sammenlign spændingsangivelsen på typeskiltet med energiforsyningen, der er til rådighed.
- Tilslut kun køleapparatet til vekselstrømsnettet med det tilhørende tilslutningskabel.
- Træk aldrig stikket ud af stikdåsen med tilslutningskablet.

2.5 Sikkerhed under driften med gas



ADVARSEL!

- Køleapparatet må **udelukkende** anvendes i det fri ved anvendelse med gas.
- Anvend aldrig køleapparatet med gas
 - i biler, både eller lukkede rum
 - ved benzintanke
 - på færger
- **Fare for kvælning!**
Anvendelsen af apparatet med gas i et område, der ikke er ventileret, medfører iltmangel i dette område.
- Sørg for, at området er ventileret tilstrækkeligt, mens apparatet er i drift.
- Anvend ikke apparatet i områder, der ikke er ventileret, som f.eks. Lukkede rum, telte, biler, autocampere, campingvogne, skibe, yachter, både og lastbilførerrhuse.
- Opstil ikke apparatet i nærheden af brændbare materialer (papir, tørt løv, tekstilprodukter).
- Hold brændbare genstande væk brænderen.
- Køleapparatet må **udelukkende** anvendes med det tryk, der er angivet på typeskiltet. Anvend en fastindstillet DIN-DVGW-godkendt trykregulering iht. DIN EN 16129.
- Opbevar **aldrig** F-gasflasker på steder, der ikke er ventileret, eller under gulvniveau (tragtformede fordybninger i jorden).
- Beskyt F-gasflasker mod direkte sol. Temperaturen må ikke overskride 50 °C.
- Kontrollér aldrig, om køleapparatet er utæt, med åben flamme.

- Ved gaslugt:
 - Luk gasforsyningens spærrehane og flaskeventilen.
 - Tryk ikke på en elektrisk kontakt.
 - Sluk åben ild.
 - Lad en fagvirksomhed kontrollere gasanlægget.

**VIGTIGT!**

- Anvend udelukkende propan- eller butangas (ikke naturgas).

3 Leveringsomfang

Mængde	Betegnelse
1	Absorptionskøleboks
1	Skål med låg til at lave isterninger
1	Betjeningsvejledning

4 Korrekt brug

Absorptionskøleboksen egner sig til at køle levnedsmidler.

Køleboksen kan anvendes som med jævnstrøm, vekselstrøm eller gas.

Apparatet er også egnet i forbindelse med camping. Apparatet må ikke udsættes for regn.

**FORSIGTIG! Sundhedsfare!**

Kontrollér, om apparatets kølekapacitet svarer til kravene for fødevarerne, som du vil køle.

5 Teknisk beskrivelse

Køleapparatet er egnet til mobil anvendelse. Det kan afkøle eller holde varer kolde indtil maks. 30 °C under udenomstemperaturen.

Køleapparatet må kun anvendes i det fri under gasdrift.

Køleapparatet må også anvendes i lukkede rum under elektrisk drift.

5.1 Tilslutninger

Pos. på fig. 2 , side 4	Betegnelse
1	Vekselstrøm-tilslutningskabel
2	Jævnstrømstilslutningskabel
3	Afdækning til betjeningselementer
4	Gastilslutningsstuds (kun ACX35, ACX40)
5	Gaspatron (kun ACX40G)
6	Flammerude

5.2 Betjeningselementer

Pos. på fig. 3 , side 5	Betegnelse
1	Køleeffektregulering
2	Temperaturregulering
3	Tændknap

Hvis køleapparatet er tilsluttet til vekselstrømnettet, indstilles den ønskede kølekapacitet med kølekapacitetreguleringen (**1**):

- For at **forøge** kølekapaciteten skal du dreje kølekapacitetreguleringen (**1**) med uret.
Drej kølekapacitetreguleringen (**1**) med uret indtil anslag for den maks. køleeffekt (Position „7“).
- For at **reducere** kølekapaciteten skal du dreje kølekapacitetreguleringen (**1**) mod uret.

- ▶ Drej kølekapacitetsreguleringen (1) mod uret indtil anslag for at slukke køleapparatet (position „0“).

Hvis køleapparatet er tilsluttet til jævnstrømsstikdåsen, kan køleeffekten **ikke** indstilles.

Hvis køleapparatet anvendes med gas, indstilles den ønskede kølekapacitet med temperaturreguleringen (2).

- ▶ For at **forøge** kølekapaciteten skal du dreje temperaturreguleringen (2) med uret.
Drej temperaturreguleringen (2) til den maksimale indstilling for at få den maksimale kølekapacitet.
- ▶ For at **reducere** kølekapaciteten skal du dreje temperaturreguleringen (2) mod uret.
- ▶ For at slukke køleapparatet skal du dreje temperaturreguleringen (2) med uret indtil anslag (position „O“).

6 Betjening



FORSIGTIG! Sundhedsfare!

Levnedsmidler må kun opbevares i original emballage eller egnede beholdere.



VIGTIGT! Fare for beskadigelse!

- Sørg for, at der kun er genstande eller varer i køleapparatet, der må afkøles til den valgte temperatur.
- Vær opmærksom på, at drikkevarer eller mad i glasbeholdere ikke afkøles for kraftigt. Drikkevarer og mad med stort væskeindhold udvider sig, når de fryses. Derved kan glasbeholdere blive ødelagt.
- Sørg for, at køleapparatet ventileres godt, så den afledte varme kan føres bort. I modsat fald er en korrekt funktion ikke sikret. Især må ventilationsåbningerne ikke tildækkes.

**BEMÆRK**

- Før du tager køleapparatet i brug, bør du af hygiejniske årsager rengøre det indvendigt og udvendigt med en fugtig klud (se også kapitlet „Rengøring og vedligeholdelse“ på side 155).
- Foretag en forkøling af køleapparatet i ca. 24 timer med tilslutning til nettet eller med gas, før en rejse påbegyndes. Derved har du på anvendelsesstedet hurtigere den ønskede kølekapacitet.
- Kølekapaciteten kan påvirkes af
 - udenomstemperaturen
 - mængden af levnedsmidlerne, der skal konserveres
 - hvor tit låget åbnes
- Der kan sætte sig et par vanddråber inde i køleapparatet, når det har kølet i længere tid. Det er normalt, fordi fugtigheden i luften kondenserer til vanddråber, når temperaturen i køleapparatet afkøler. Køleapparatet er ikke defekt. Tør det evt. op med en tør klud.

- Tryk på afdækningen (fig. **2** 3, side 4) til betjeningsselementerne for at åbne den.
- Tryk afdækningen (fig. **2** 3, side 4) til betjeningsselementerne i retning af låget, indtil den går i indgreb, for at lukke den.

6.1 Tips til energibesparelse

- Vælg et anvendelsessted, der er godt ventileret og beskyttet mod sol.
- Lad først varm mad afkøle, før du holder den kold i apparatet.
- Åbn ikke køleapparatet hyppigere end nødvendigt.
- Lad ikke køleapparatet forblive åbent længere end nødvendigt.

6.2 Anvendelse af køleboksen i jævnstrømsdrift

- Stil køleapparatet på et fast, jævnt underlag.
- Tilslut jævnstrømsstilslutningskablet (fig. **2** 2, side 4) til jævnstrømsstikdåsen i køretøjet.
- ✓ Køleapparatet starter med at køle det indvendige rum.
- Træk jævnstrømsstilslutningskablet ud for at tage køleapparatet ud af drift.

6.3 Tilslutning til cigarettænderen

**BEMÆRK**

Når du tilslutter køleapparatet til cigarettænderen i køretøjet, skal du evt. slå tændingen til, så apparatet forsynes med strøm.

6.4 Anvendelse af køleboksen i vekselstrømsdrift

- ▶ Stil køleapparatet på et fast, jævnt underlag.
- ▶ Tilslut vekselstrømstilslutningskablet (fig. **2** 1, side 4) til vekselstrømsnettet.
- ▶ Drej køleeffektreguleringen (fig. **3** 1, side 5) til den ønskede stilling.
- ✓ Køleapparatet starter med at køle det indvendige rum.

6.5 Tilslutning af køleboksen ACX35, ACX40 til en ekstern gasforsyning (DE, A, CH)

**ADVARSEL!**

Køleapparatet skal kan kunne spærres separat med en afspærringsanordning i gasledningen. Der skal være nem adgang til afspærringsanordningen.

**VIGTIGT!**

- Køleapparatet må kun tilsluttes til gasforsyningen af en fagmand i henhold til de gældende forskrifter og standarder.
- Anvend kun propan- eller butangasflasker (ikke naturgas eller bygas) med godkendt trykreduktionsventil og passende topstykke. Sammenlign trykangivelsen på typeskiltet med trykangivelsen på propan- eller butangasflaskens trykregulering.
- Overhold de tryk, der er tilladt i dit land. Anvend en fastindstillet, DIN-DVGW-godkendt trykregulering.
 - For Tyskland gælder: DIN EN 16129.
 - For Europa gælder: EN 732, EN 521 og EN 437:2003+A1:2009.
- Køleapparatet må kun anvendes med teknisk fejlfri slangeledninger. Udskift straks porøse eller beskadigede slangeledninger.

**BEMÆRK**

- Anvend en gastrykregulering i overensstemmelse med gastrykket, der er anført på typeskiltet.

Gå frem på følgende måde (fig. **4**, side 5):

- Stil køleapparatet på et fast, jævnt underlag.

**ADVARSEL!**

Anvend kun kontrollerede slangeforbindelser (DIN 4815, del 2) med en maks. længde på 1,5 m.

- Forbind slangeledningen (**3**) med køleapparatets gastilslutningsstuds (**2**).
Anvend hertil to gaffelnøgler (**1**) med nøglestørrelserne 13 mm og 17 mm.
- Sørg for, at slangeledningen
 - ikke klemmes eller knækkes
 - ligger med en sikker afstand til brænderen
- Træk beskyttelseskappen (**4**) af gastilslutningens sikkerhedstilslutningskobling (**5**).
- Tryk stikmuffen på slangeledningen (**3**) ind i sikkerhedstilslutningskoblingen (**5**), indtil du kan høre, at den går i indgreb.
- Åbn ventilen (**6**) på sikkerhedstilslutningskoblingen (**5**).
- Åbn gasflaske- eller gasbeholderventilen.

**ADVARSEL!**

Kontrollér aldrig tætheden, når flammer brænder, eller i nærheden af antændelseskilder.

- Foretag en tæthedskontrol af alle forbindelser med læksøgningsspray.
Forbindelsesstederne er tætte, hvis der **ikke** dannes bobler.

Afbrydelse af køleboksen fra en ekstern gasforsyning

- Luk ventilen (**6**) på gastilslutningens sikkerhedstilslutningskobling (**5**).
- Frakobl slangeledningen (**2**) ved at skubbe skydemuffen i retning af armaturgrebet.
- Sæt beskyttelseskappen (**4**) på sikkerhedstilslutningskoblingen (**5**).
- Drej temperaturreguleringen (fig. **3** 2, side 5) til „O“.

6.6 Tilslutning af køleboksen ACX35, ACX40 til en gasflaske

Vær opmærksom på følgende landespecifikke kategorier for gastype og gastryk:

Land	Udstyrskategorier
Danmark, Finland, Ungarn, Norge, Polen, Sverige	I ₃ B/P – 30 mbar
Belgien, Tjekkiet, Frankrig, Italien, Nederlandene, Portugal, Slovakiet, Spanien, Storbritannien	I ₃ + – 28 – 30 / 37 mbar
Østrig, Tyskland, Luxemburg, Schweiz	I ₃ B/P – 50 mbar

- Tilslut køleboksen ACX35, ACX40 til gasslangen (fig. **6**, side 7) og til gasflasken (fig. **7**, side 8).



VIGTIGT!

- Kontrollér med et skummende middel, f.eks. en sæbeopløsning, at gasledningen er tæt på alle forbindelsessteder (alle gevindforbindelser, slangetilslutningsforbindelser med spændebånd, forbindelse med gasflaske), når apparatet er blevet tilsluttet til gasforsyningen.
- Gennemfør også en visuel kontrol af slangen (at der ikke findes revner, forvitring, beskadigelse).
- Udskift straks en defekt slange med en ny.

6.7 Tilslutning af gaspatron til køleboksen ACX40G



ADVARSEL!

- Overhold behandlings- og opbevaringsanvisningerne for gaspatronen.
- Kontrollér, at tilslutningerne på gaspatronen og køleapparatet er fri for tilsmudsninger.



BEMÆRK

Køleapparatet er egnet til drift med selvblåsende gaspatroner af typen CAMPINGAZ CP250.

- Tryk gaspatronen ned og ind i tilslutningen på køleapparatet (fig. **5**, side 6).



ADVARSEL!

Kontrollér aldrig tætheden, når flammer brænder, eller i nærheden af antændelseskilder.

- Foretag en tæthedskontrol af alle forbindelser med læksøgningsspray. Forbindelsesstederne er tætte, hvis der **ikke** dannes bobler.

Før hver bevægelse af køleapparatet:

- Tag gaspatronen ud.

6.8 Anvendelse af køleboksen i gasdrift

- Drej temperaturreguleringen (fig. **3** 2, side 5) til den maksimale indstilling.
- Tryk på temperaturreguleringen, og hold den trykket ind.
- Tryk efter ca. 10 sekunder flere gange efter hinanden på tændknappen (fig. **3** 3, side 5), indtil flammen tænder.
- ✓ Når flammen er tændt, kan den ses i flammeruden (fig. **2** 6, side 4).
- Hold temperaturreguleringen trykket ind i endnu 20 sekunder.

6.9 Frakobling af køleboksen

- Luk gasventilen på apparatet og på gasflasken.

6.10 Afrimning af køleboksen



VIGTIGT!

Anvend ikke mekanisk værktøj til at fjerne islag eller til at løsne fastfrosne genstande.



BEMÆRK

Med tiden dannes der rim på køleribberne inde i køleapparatet. Når rimlaget er ca. 3 mm, skal du afrime køleapparatet.

- Afbryd spændings- og gastilførslen.
- Tøm køleapparatet.
- Læg en klud i kølerummet for at opsamle overskydende vand.
- Lad låget stå åbent.
- Tør kølerummet af med en klud.

7 Rengøring og vedligeholdelse

**ADVARSEL!**

Afbryd før rengøring og vedligeholdelse apparatet fra nettet.

**VIGTIGT! Fare for beskadigelse!**

- Rengør aldrig køleapparatet under rindende vand eller i opvaskevand.
- Anvend ikke skrappe rengøringsmidler eller hårde genstande ved rengøringen, da de kan beskadige køleapparatet.

- Rengør af og til apparatet indvendigt og udvendigt med en fugtig klud.
- Sørg for, at apparatets ventilations- og udluftningsåbninger er fri for støv og urenheder, så varmen, der opstår under driften, kan ledes bort, og apparatet ikke tager skade.

8 Garanti

Den lovbestemte garantiperiode gælder. Hvis produktet er defekt, skal du kontakte producentens afdeling i dit land (adresser, se vejledningens bagside) eller din forhandler.

Ved reparation eller krav om garanti skal du medsende følgende bilag:

- En kopi af regningen med købsdato
- En reklamationsgrund eller en fejlbeskrivelse

9 Udbedring af fejl

Fejl	Mulig årsag	Løsningsforslag
Køleapparatet fungerer ikke.	Køleboksen blev ikke opstillet korrekt.	Kontrollér, om apparatet står vandret. Kontrollér, om en tilstrækkelig ventilation er sikret.
	Kølekredsen er defekt.	Reparationen kan kun foretages af en tilladt kundeservice.
Ved jævnstrømsdrift: Køleapparatet fungerer ikke (stikket er sat i).	Der er ikke strøm på jævnstrømsstikdåsen i køretøjet.	I de fleste køretøjer skal tændingen være slået til, for at jævnstrømsstikdåsen har spænding.
	Jævnstrømsstikdåsens fatning er snavset. Konsekvensen er en dårlig elektrisk forbindelse.	Hvis stikket bliver meget varmt i jævnstrømsstikdåsens fatning, skal fatningen enten rengøres, eller stikket er muligvis ikke samlet rigtigt.
	Jævnstrømsstikkets sikring er brændt over.	Udskift jævnstrømsstikdåsens sikring (fig. 6 1, side 7) med en sikring af samme værdi.
	Køretøjets sikring er sprunget.	Udskift køretøjets sikring til jævnstrømsstikdåsen (normalt 15 A) (se køretøjets betjeningsvejledning).
Ved vekselstrømsdrift: Køleapparatet fungerer ikke (stikket er sat i).	Vekselstrømsstikdåsen har ikke spænding.	Forsøg med en anden stikdåse.
Ved gasdrift: Køleapparatet fungerer ikke (køleapparatet er tilsluttet til gas).	Køleapparatet er ikke tilsluttet korrekt til gassen.	Kontrollér, om der er sikret en fejlfri gasforsyning. Kontrollér, om gasflaskens ventil er åbnet. Kontrollér, om der stadig er gas i flasken. Kontrollér, om der er tilsluttet flere energikilder samtidigt. Hold temperaturreguleringen trykket ind længere for at tænde.
Køleapparatet starter ikke, efter at den ikke har været anvendt i længere tid.	–	Stil køleapparatet på hovedet uden tilsluttede energikilder, og vent i ca. fem minutter. Vend køleapparatet om igen, og tænd det igen.

10 Bortskaffelse

- Bortskaf så vidt muligt emballagen sammen med det tilsvarende genbrugsaffald.



Hvis du tager produktet endegyldigt ud af drift, skal du kontakte det nærmeste recyclingcenter eller din faghandel for at få de pågældende forskrifter om bortskaffelse.

11 Tekniske data

	ACX35	ACX40	ACX40G
Nominel varmebelastning Butan:	144 W		
Minimal varmebelastning Butan:	123 W		-
Tilslutningsspænding:	12 V $\overline{=}$ 220 – 240 V \sim , 50/60 Hz		
Effektforbrug:	75 W	85 W	
Kølekapacitet:	Maks. 30 °C under udenomstemperaturen		
Bruttoindhold:	33 l	41 l	
Nettoindhold:	31 l	40 l	
Energiforbrug:	1,4 kWh/24 h	1,6 kWh/24 h	
Klimaklasse:	N		
Udenomstemperatur:	16 til 32 °C		
Lydemissioner:	0 dB		
Kølemiddel	159 g H ₂ O + 86 g NH ₃		
Mål (B x H x T) i mm:	se fig. 7 , side 8		
Vægt:	ca. 15 kg	ca. 14 kg	ca. 15 kg
Godkendelse/certifikat:			

	ACX35		ACX40	
	28 – 30 mbar, 30 mbar, 37 mbar	50 mbar	28 – 30 mbar, 30 mbar, 37 mbar	50 mbar
Art.nr:	9105204280 9105204281 9105204282 9105204290	9105204279	9105204285 9105204287 9105204286 9105204288	9105204284
Gasforbrug:	10,5 g/h	9,9 g/h	10,5 g/h	9,9 g/h

	ACX40G
Art.nr:	9105204291 9105204289
Gasforbrug:	10,5 g/h

Läs igenom anvisningarna noga innan apparaten tas i drift. Spara bruksanvisningen för senare bruk. Överlämna bruksanvisningen till den nya ägaren vid ev. vidareförsäljning.

Tillverkaren ansvarar inte för skador som uppstår p.g.a. **icke ändamålsenlig användning** eller **felaktig hantering/skötsel**.

Innehållsförteckning

1	Förklaring av symboler	160
2	Säkerhetsanvisningar	160
3	Leveransomfattning.	164
4	Ändamålsenlig användning	164
5	Teknisk beskrivning.	164
6	Användning.	166
7	Rengöring och skötsel	172
8	Garanti	172
9	Felsökning	172
10	Avfallshantering.	173
11	Tekniska data.	174

1 Förklaring av symboler

**VARNING!**

Observera: Beaktas anvisningen ej kan det leda till dödsfara eller svåra skador.

**AKTA!**

Observera: Beaktas anvisningen ej kan det leda till kroppsskador.

**OBSERVERA!**

Om anvisningarna inte beaktas kan det leda till materialskador och produktens funktion kan påverkas negativt.

**ANVISNING**

Kompletterande information om användning av produkten.

2 Säkerhetsanvisningar

2.1 Allmän säkerhet

**VARNING!**

- Öppna aldrig absorptionsaggregatet. Det står under högt tryck och kan ge upphov till skador om det öppnas.
- Om kylan uppvisar synliga skador får den inte användas.
- Om kylens anslutningskabel skadas måste den, av säkerhetsskäl, bytas ut av tillverkaren, tillverkarens kundtjänst eller annan behörig person.
- Reparationer på kylan får endast utföras av behörigt fackfolk. Icke fackmässiga reparationer kan leda till att allvarliga risker uppstår.
- Kylan kan användas av barn från 8 år samt av personer med fysiska, sensoriska eller mentala funktionshinder och personer som saknar erfarenhet och kunskap under förutsättning att de använder den under uppsikt eller fått instruktioner om hur kylan används på ett säkert sätt och känner till eventuella risker i samband med användningen.
- Rengöring och underhåll får inte genomföras av barn utan uppsikt.
- Barn får inte leka med kylan.
- Barn bör hållas under uppsikt, så att de inte leker med kylan.

- Förvara och använd kylan utom räckhåll för barn under 8 år.
- Lagra inga ämnen som kan explodera i kylan, som t.ex. sprayburkar med brännbar drivgas.

**AKTA!**

- Koppla bort kylan från ström- och gasförsörjningen
 - före rengöring och underhåll
 - efter varje användning
- Livsmedel får endast förvaras i originalförpackningarna eller i andra lämpliga behållare.

**OBSERVERA!**

- Öppna aldrig kylkretsloppet.
- Kylmedlet i kylkretsloppet är lättantändligt.
Vid skador på kylkretsloppet:
 - Undvik öppen eld och gnistbildning.
 - Ventilera rummet nog.
- Jämför spänningssuppgifterna på typskylten med elförsörjningen på plats.
- Anslut endast kylan på följande sätt:
 - med den medföljande likströmsanslutningskabeln till likströmsuttaget (t.ex. cigarettuttaget) i fordonet
 - eller med växelströmskabeln till växelström (elnät)
- Dra aldrig ut stickkontakten ur uttaget genom att dra i anslutningskabeln.
- När kylan är ansluten till ett likströmsuttag: Koppla bort kylan och andra förbrukare från fordonsbatteriet innan en snabbbladdare ansluts.
- När kylan är ansluten till ett likströmsuttag: skilj apparaten från elnätet eller stäng av den när motorn stängs av. Annars kan fordonsbatteriet laddas ur.
- Kylan är inte ämnad för transport av frätande ämnen och ämnen som innehåller lösningsmedel.
- Denna kyls isolering innehåller brännbart cyklopentan. Gaserna i isoleringsmaterialet gör att materialet kräver särskild hantering. Lämna in kylan till en lämplig återvinningscentral när den inte ska användas längre.

2.2 Säkerhet vid drift av kylan



AKTA!

- Kontrollera, innan apparaten tas i drift, att elkabeln och stickkontakten är torra.
- Använd endast kylan i väl ventilerade utrymmen.
- Håll alltid apparaten under uppsikt när den används.
- Använd endast en energikälla åt gången till kylan.



OBSERVERA!

- Använd inga elektriska apparater för arbeten inne i kylan. Undantag: apparaterna rekommenderas för sådan användning av tillverkaren.
- Ställ inte upp kylan i närheten av öppen eld eller andra värmekällor (värmeelement, starkt solljus, gasspisar osv.).
- **Risk för överhettning!**
Se till att värmen som alstras under användningen kan avledas ordentligt. Kylan måste ha tillräckligt stort avstånd till väggen/andra föremål, så att luften kan cirkulera fritt.
- Se till att ventilationsöppningarna inte täcks över. Håll minimiavstånden (bild **1**, sida 3).
- Fyll inte innerfacket med vätskor eller is.
- Doppa aldrig ned kylan i vatten.
- Skydda kylan och kablarna mot värme och fukt.
- För att köldmediet ska kunna cirkulera på ett korrekt sätt får kylan inte överskrida en lutningsvinkel på 3°. För att göra detta, ställ upp kylan vågrätt med hjälp av ett vattenpass.

2.3 Säkerhet när likström används



OBSERVERA!

- Låt endast kylskåpet gå med likström (batteri) i kombination med en batterivakt eller när fordonets generator levererar tillräckligt med spänning.
- Använd endast kablar med passande kabelarea (se tabell på sida 162).

2.4 Säkerhet när växelström används



OBSERVERA!

- Jämför spänningsuppgifterna på typskylten med elförsörjningen på plats.
- Anslut endast kylan till växelströmsnätet med tillhörande anslutningskabel.
- Dra aldrig ut stickkontakten ur uttaget genom att dra i anslutningskabeln.

2.5 Säkerhet när gas används



VARNING!

- När kylan används med gas får den **endast** användas utomhus.
- Använd aldrig kylan med gas
 - i väg- eller vattenfordon eller i slutna utrymmen
 - på bensinstationer
 - på färjor
- **Kvävningsrisk!**
Om apparaten ska användas med gas i ej ventilerade utrymmen leder det till syrebrist i dessa utrymmen.
- Säkerställ att utrymmet är tillräckligt väl ventilerat medan apparaten används.
- Använd inte apparaten i ej ventilerade utrymmen som slutna rum, tält, fordon, husbilar, husvagnar, fartyg, nöjesbåtar, andra båtar eller lastbilshytter.
- Ställ inte upp apparaten i närheten av antändligt material (papper, torra löv, textilier).
- Håll brännbara föremål borta från brännaren.
- Kylan får **endast** användas med det tryck som anges på typskylten. Använd en fast inställd, DIN-DVGW-godkänd tryckregulator enligt DIN EN 16129.
- Lagra **aldrig** gasolflaskor i ej ventilerade utrymmen eller under markytan (trattformiga jordhålor).
- Se till att gasolflaskorna skyddas mot direkt solljus. Temperaturen får inte överskrida 50 °C.
- Använd aldrig öppen låga för att kontrollera om det finns läckage på kylan.

- Vid gaslukt:
 - Stäng kranen för gasförsörjning och flaskventilen.
 - Tryck inte på några elektriska strömbrytare.
 - Släck öppna lågor.
 - Låt en specialist undersöka gasanläggningen.

**OBSERVERA!**

- Använd bara propan- eller butangas (inte naturgas).

3 Leveransomfattning

Mängd	Beteckning
1	Absorptionskylbox
1	Låda med lock för att göra isbitar
1	Bruksanvisning

4 Ändamålsenlig användning

Absorptionskylboxen är avsedd för kylning av livsmedel.

Kylboxen kan användas med likström, växelström eller gas.

Den är även avsedd för campingändamål. Produkten måste skyddas mot regn.

**AKTA! Hälsorisk!**

Kontrollera om apparatens kyleffekt uppfyller kraven för de livsmedel du vill hålla kalla.

5 Teknisk beskrivning

Kylen är lämpad för mobil användning. Den kyler och håller varorna kalla till maximalt 30 °C under omgivningstemperaturen.

Kylen får endast användas med gas utomhus.

Om kylen används med eldrift får den även användas i slutna utrymmen.

5.1 Anslutningar

Pos. på bild 2 , sida 4	Beteckning
1	Växelströmskabel
2	Likströmskabel
3	Kåpa för reglage
4	Gasanslutning (endast ACX 35, ACX 40)
5	Gaspatron (endast ACX 40G)
6	Synglas för låga

5.2 Reglage, komponenter

Pos. på bild 3 , sida 5	Beteckning
1	Kyleffektreglage
2	Termostat
3	Tändningsknapp

Om kylan är ansluten till växelström (elnät), ställs önskad kyleffekt in med kyleffektsreglaget (**1**):

- ▶ För att **höja** kyleffekten vrids kyleffektsreglaget (**1**) medurs.
Vrid för maximal kyleffekt kyleffektsreglaget (**1**) medurs till ändläget (position "7").
- ▶ För att **sänka** kyleffekten vrids kyleffektsreglaget (**1**) moturs.
- ▶ Vrid för att stänga av kylan kyleffektsreglaget (**1**) moturs till ändläget (position "0").

Om kylan är ansluten till likströmsuttaget går det **inte** att ställa in kyleffekten.

Om kylan används med gas, ställs önskad kyleffekt in med termostaten (**2**).

- ▶ För att **höja** kyleffekten vrids termostaten (**2**) medurs.
För maximal kyleffekt vrider man termostaten (**2**) till det högsta inställningsläget.

- För att **sänka** kyleffekten vrider man termostaten (**2**) moturs.
- Vrid för att stänga av kylan termostaten (**2**) medurs till ändläget (position "O").

6 Användning



AKTA! Hälsorisk!

Livsmedel får endast förvaras i originalförpackningarna eller i andra lämpliga behållare.



OBSERVERA! Risk för skador!

- Se till att det endast finns föremål resp. varor i kylan som får kylas till den inställda temperaturen.
- Se till att vätskor eller matvaror i glasbehållare inte kyls ned för mycket. Vätskor expanderar under frysning. Glasbehållarna kan då gå sönder.
- Kylan måste ha god ventilation så att värmen avleds ordentligt, annars kan inte funktionen säkerställas. Särskilt ventilationsöppningarna får inte vara övertäckta.



ANVISNING

- Innan den nya kylapparaten tas i drift ska den, av hygieniska skäl, torkas av in- och utvändigt med en fuktig trasa (se även kapitel "Rengöring och skötsel" på sidan 172).
- Börja kyla kylan med gas eller el ca 24 timmar före resan. På så sätt nås önskad kyleffekt snabbare när man har kommit fram.
- Kyleffekten kan påverkas av
 - omgivningstemperaturen
 - mängden livsmedel
 - hur ofta locket öppnas
- När den har varit i kylläget en längre tid kan det bildas några vattendroppar i kylan. Detta är bara normalt eftersom fukten i luften kondenserar när temperaturen i kylan sjunker. Det betyder inte att kylan är defekt. Torka vid behov bort vattnet med en torr trasa.

- Tryck på kåpan (bild **2** 3, sida 4) för reglagen, för att öppna den.
- Tryck på kåpan (bild **2** 3, sida 4) för reglagen mot locket tills den hakar fast när du ska stänga den.

6.1 Tips för energibesparing

- Välj en uppställningsplats med god ventilation som är skyddad mot direkt solljus.
- Låt varm mat svalna innan den läggs in i kylapparaten.
- Öppna inte kylapparaten oftare än nödvändigt.
- Låt inte kylskåpsdörren stå öppen längre än nödvändigt.

6.2 Använda kylboxen i likströmsläge

- Ställ kylan på ett fast och jämnt underlag.
- Anslut likströmsanslutningskabeln (bild **2** 2, sida 4) till likströmsuttaget i fordonet.
- ✓ Kylan startar och kyls invändigt.
- Dra ut likströmsanslutningskabeln för att stänga av kylan.

6.3 Ansluta till cigarettändaren



ANVISNING

Vid anslutning till fordonets cigarettuttag: beakta att tändningen ev. måste slås på för att försörja kylapparaten med ström.

6.4 Använda kylboxen i växelströmsläge

- Ställ kylan på ett fast och jämnt underlag.
- Anslut växelströmsanslutningskabeln (bild **2** 1, sida 4) till växelström (elnätet).
- Ställ kyleffektreglaget (bild **3** 1, sida 5) i önskat läge.
- ✓ Kylan startar och kyls invändigt.

6.5 Ansluta kylbox ACX 35, ACX40 till en extern gasförsörjning (DE, A, CH)



VARNING!

Kylen måste kunna spärras separat genom en spärranordning i gasledningen. Spärranordningen måste sitta på ett ställe som är lätt att komma åt.



OBSERVERA!

- Kylen får endast anslutas till gasförsörjningen av utbildad personal. De gällande föreskrifterna och normerna måste följas.
- Använd endast propan- eller butangasflaskor (inte naturgas eller stadsgas) med provade och godkända tryckreduceringsventiler och passande kopplingsdel. Jämför tryckangivelsen på typskylten med tryckuppgifterna på propan- eller butangasflaskans tryckreglerare.
- Beakta gällande bestämmelser om tryckvärden. Använd en fast inställd, DIN-DVGW-godkänd tryckregulator:
 - För Tyskland gäller: DIN EN 16129.
 - För Europa gäller: EN 732, EN 521 och EN 437:2003+A1:2009.
- Kylen får endast användas med tekniskt felfria slangledningar. Byt omedelbart ut porösa eller skadade slangledningar.



ANVISNING

- Använd en gastyckregulator som passar till gastycket som står angivet på typskylten.

Gör enligt på följande sätt (bild **4**, sida 5):

- Ställ kylen på ett fast och jämnt underlag.



VARNING!

Använd endast provade och godkända slangledningar (DIN 4815 del 2) med en längd på maximalt 1,5 m.

- Anslut slangledningen (**3**) till kylens gasanslutning (**2**).
Använd här två U-nycklar (**1**) med nyckelvidd 13 mm och 17 mm.
- Se till att slangledningen
 - inte kläms eller viks
 - ligger på säkert avstånd från brännaren
- Dra av skyddshättan (**4**) från gasanslutningens säkerhetskoppling (**5**).

- ▶ Tryck in slangledningens instickshylsa (3) i säkerhetskopplingen (5), tills den hakar fast så det hörs.
- ▶ Öppna ventilen (6) på säkerhetskopplingen (5).
- ▶ Öppna gasflaske- eller gasbehållarventilen.

**VARNING!**

Kontrollera aldrig tätheten i närheten av öppna lågor eller tändkällor.

- ▶ Kontrollera tätheten på alla anslutningar/kopplingar med läckspray. Anslutningsställena är täta när **inga** bubblor bildas.

Koppla bort kylboxen från extern gasförsörjning

- ▶ Stäng ventilen (6) för gasanslutningens säkerhetskoppling (5).
- ▶ Koppla bort slangledningen (2) genom att föra skjuthylsan mot armaturhandtaget.
- ▶ Sätt skyddshättan (4) på säkerhetskopplingen (5).
- ▶ Vrid termostaten (bild 3 2, sida 5) till "O".

6.6 Ansluta kylbox ACX35, ACX40 till en gasflaska

Beakta följande landsspecifika kategorier gällande gastyp och gstryck:

Land	Apparatkategorier
Danmark, Finland, Ungern, Norge, Polen, Sverige	I ₃ B/P – 30 mbar
Belgien, Tjeckien, Frankrike, Italien, Nederländerna, Portugal, Slovakien, Spanien, Storbritannien	I ₃ + – 28 – 30 / 37 mbar
Österrike, Tyskland, Luxemburg, Schweiz	I ₃ B/P – 50 mbar

- ▶ Anslut kylboxen ACX35, ACX40 till gasslangen (bild 6, sida 7) och till gasflaskan (bild 7, sida 8).

**OBSERVERA!**

- Kontrollera när apparaten har anslutits till gasförsörjningen att gasledningen är tät vid alla anslutningsställen (alla gängförbindningar, slanganslutningar med klämmor, anslutning till gasflaskan). Kontrollera med hjälp av ett skummande medel, t.ex. såpa.
- Gör även en okulärbesiktning av slangen (för att se om det finns sprickor, uppluckringar eller andra skador på den).
- Byt omedelbart ut en skadad slang mot en ny.

6.7 Ansluta gaspatron till kylbox ACX40G

**VARNING!**

- Beakta gaspatronens handhavande- och förvaringsanvisningar.
- Säkerställ att gaspatronens och kylens anslutningar är fria från smuts.

**ANVISNING**

Kylen passar att användas med självlåsand gaspatroner av typen CAMPINGAZ CP250.

- Tryck in gaspatronen nerifrån i kylens anslutning (bild **5**, sida 6).

**VARNING!**

Kontrollera aldrig tätheten i närheten av öppna lågor eller tändkällor.

- Kontrollera tätheten på alla anslutningar/kopplingar med läckspray. Anslutningsställena är täta när **inga** bubblor bildas.

Innan kylen flyttas:

- Ta ut gaspatronen.

6.8 Använda kylboxen i gasläge

- ▶ Vrid termostaten (bild **3** 2, sida 5) till det högsta inställningsläget.
- ▶ Tryck på termostaten och håll den intryckt.
- ▶ Tryck efter ca 10 sekunder på tändningsknappen (bild **3** 3, sida 5) flera gånger i snabb följd tills lågan tänds.
- ✓ Om tändningen har gått bra syns lågan i synglaslet (bild **2** 6, sida 4).
- ▶ Håll termostaten nedtryckt i ytterligare 20 sekunder.

6.9 Stänga av kylboxen

- ▶ Stäng gasventilen på apparaten och på gasflaskan.

6.10 Avfrostas kylboxen



OBSERVERA!

Avlägsna aldrig isbeläggningar eller fastfrusna föremål med mekaniska verktyg.



ANVISNING

Efterhand kan frost bildas på kylflänsarna inuti kylan. När detta frostsikt når 3 mm tjocklek bör kylan frostas av.

- ▶ Avbryt spännings- och gastillförseln.
- ▶ Töm kylan.
- ▶ Lägg in en trasa i kylutrymmet så att smältvatten sugts upp.
- ▶ Låt locket vara öppet.
- ▶ Torka kylutrymmet med en trasa tills det är torrt.

7 Rengöring och skötsel



VARNING!

Koppla alltid bort apparaten från elnätet före rengöring och skötsel.



OBSERVERA! Risk för skador!

- Rengör aldrig kylapparaten under rinnande vatten eller i diskvatten.
- Använd inga skarpa rengöringsmedel eller hårda föremål vid rengöring, det kan skada kylapparaten.

- Rengör apparaten då och då in- och utvändigt med en fuktig trasa.
- Kontrollera att luftnings-/ventilationsöppningarna är rena från damm och annat smuts så att värmen i vid användning kan avledas ordentligt så att produkten inte skadas.

8 Garanti

Den lagstadgade garantitiden gäller. Om produkten är defekt: kontakta tillverkarens kontor i ditt land (adresser, se bruksanvisningens baksida) eller återförsäljaren.

Vid reparations- resp. garantiärenden ska följande skickas med:

- en kopia på fakturan med inköpsdatum,
- en reklambeskrivning/felbeskrivning.

9 Felsökning

Fel	Möjlig orsak	Lösning
Kylen fungerar inte.	Kylboxen har inte ställts upp som den ska.	Kontrollera att apparaten står vågrätt. Kontrollera att det finns god ventilation.
	Kylkretsen är defekt.	Reparationer får endast utföras av auktoriserad kundservice.

Fel	Möjlig orsak	Lösning
I likströmsläge: Kylan fungerar inte (kontakten är isatt).	Det finns ingen spänning i fordonets uttag för likström.	På de flesta fordon finns det ingen spänning i uttaget för likström om tändningen inte har slagits på.
	Hållaren på uttaget för likström är smutsig. Det ger dålig elektrisk kontakt.	Om stickkontakten blir mycket varm i uttaget för likström, måste antingen hållaren rengöras eller så är stickkontakten möjligtvis inte korrekt ansluten.
	Likströmskontaktens säkring har gått.	Byt likströmskontaktens säkring (bild 6 1, sida 7) mot en likvärdig säkring.
	Fordonets säkring utlöst.	Byt fordonssäkringen i likströmsuttaget (vanligtvis 15 A, se fordonets bruksanvisning).
I växelströmsläge: Kylan fungerar inte (kontakten är isatt).	Det finns ingen spänning i växelströmsuttaget.	Prova med ett annat uttag.
I gasläge: Kylan fungerar inte (kylan är ansluten till gas).	Kylan är inte ansluten till gasen på rätt sätt.	Kontrollera att gasförsörjningen fungerar felfritt. Kontrollera att ventilen på gasflaskan är öppen. Kontrollera att det finns gas i flaskan. Kontrollera om flera energikällor är anslutna samtidigt. Håll termostaten intryckt lite längre för antändningen.
Kylan startar inte efter en längre tids avstängning.	–	Ställ kylan, utan anslutna energikällor, upp och ned och vänta ca fem minuter. Vänd på kylan igen och starta den på nytt.

10 Avfallshantering

- Lämna om möjligt förpackningsmaterialet till återvinning.



När produkten slutgiltigt tas ur bruk: informera dig om gällande bestämmelser hos närmaste återvinningscentral eller hos återförsäljaren.

11 Tekniska data

	ACX35	ACX40	ACX40G
Nominell värmebelastning Butan:	144 W		
Minimal värmebelastning Butan:	123 W		–
Anslutningsspänning:	12 V $\overline{=}$ 220 – 240 V \sim , 50/60 Hz		
Effektbehov:	75 W	85 W	
Kyleffekt:	Max. 30 °C under omgivningstemperatur		
Bruttovolym:	33 l	41 l	
Nyttovolym:	31 l	40 l	
Energiförbrukning:	1,4 kWh/24 h	1,6 kWh/24 h	
Klimatklass:	N		
Omgivningstemperatur:	16 till 32 °C		
Ljudemission:	0 dB		
Köldmedium	159 g H ₂ O + 86 g NH ₃		
Mått (B x H x D) i mm:	Se bild 7 , sida 8		
Vikt:	ca 15 kg	ca 14 kg	ca 15 kg
Provning/certifikat:			

	ACX35		ACX40	
	28 – 30 mbar, 30 mbar, 37 mbar	50 mbar	28 – 30 mbar, 30 mbar, 37 mbar	50 mbar
Art.nr:	9105204280 9105204281 9105204282 9105204290	9105204279	9105204285 9105204287 9105204286 9105204288	9105204284
Gasförbrukning:	10,5 g/h	9,9 g/h	10,5 g/h	9,9 g/h

	ACX40G
Art.nr:	9105204291 9105204289
Gasförbrukning:	10,5 g/h

Les bruksanvisningen nøye før du tar i bruk apparatet, og ta vare på den. Hvis apparatet selges videre, må man sørge for å gi bruksanvisningen videre også.

Produsenten påtar seg intet ansvar for skader som skyldes **ikke tiltenkt bruk** eller **feil bruk**.

Innholdsfortegnelse

1	Symbolforklaring	177
2	Sikkerhetsregler	177
3	Leveringsomfang	181
4	Tiltenkt bruk	181
5	Teknisk beskrivelse	182
6	Betjening	183
7	Rengjøring og stell	189
8	Garanti	189
9	Utbedring av feil	189
10	Avfallshåndtering	190
11	Tekniske spesifikasjoner	191

1 Symbolforklaring

**ADVARSEL!**

Sikkerhetsregel: Hvis man ikke overholder denne regelen, kan det føre til død eller alvorlig skade.

**FORSIKTIG!**

Sikkerhetsregel: Hvis man ikke overholder denne regelen, kan det føre til personskader.

**PASS PÅ!**

Hvis man ikke overholder denne regelen, kan det føre til materielle skader og skade funksjonen til produktet.

**MERK**

Utfyllende informasjon om bruk av produktet.

2 Sikkerhetsregler

2.1 Generell sikkerhet

**ADVARSEL!**

- Absorbsjonsaggregatet må aldri åpnes. Det står under høytrykk og kan forårsake personskader hvis det åpnes
- Kjøleapparatet må ikke tas i bruk hvis det har synlige skader.
- Hvis tilkoblingskabelen på kjøleapparatet blir skadet, må den erstattes av produsent, kundeservice eller annen kvalifisert person for å unngå farlige situasjoner.
- Reparasjoner på dette kjøleapparatet må kun utføres av fagfolk. Feil reparasjoner kan føre til betydelige skader.
- Dette kjøleapparatet kan brukes av barn fra 8 år og oppover, og av personer med nedsatte fysiske, sensoriske eller mentale evner eller manglende erfaring og kunnskap, når de er under tilsyn eller har fått opplæring i sikker bruk av kjøleapparatet og hvilke farer som er forbundet med det.
- Rengjøring og vedlikehold må ikke utføres av barn uten at de er under oppsikt.

- Barn må ikke leke med kjøleapparatet.
- Barn skal være under tilsyn for å sikre at de ikke leker med kjøleapparatet.
- Oppbevar og bruk kjøleapparatet slik at det ikke er tilgjengelig for barn under 8 år.
- Ikke lagre eksplosjonsfarlige stoffer som f.eks. spraybokser med drivgass i kjøleapparatet.

**FORSIKTIG!**

- Koble kjøleapparatet fra strøm- og gassforsyningen
 - før rengjøring og stell
 - hver gang etter bruk
- Næringsmidler må oppbevares i originalforpakning eller i egnede beholdere.

**PASS PÅ!**

- Kjølekretsløpet må ikke åpnes under noen omstendigheter.
- Kjølemiddelet i kjølekretsløpet er lett antennelig.
Ved skader på kjølekretsløpet:
 - Unngå åpen ild og gnister.
 - Sørg for god ventilasjon i rommet.
- Sammenlign spenningsspesifikasjonene på merkeskiltet med tilgjengelig strømtilførsel.
- Koble til kjøleapparatet på følgende måte:
 - Til likestrøm-kontakten (f.eks. sigarettener) i kjøretøyet med likestrøm-tilkoblingskabelen
 - Eller til vekselstrømnettet med vekselstrøm-tilkoblingskabelen
- Trekk aldri støpslet ut av stikkkontakten etter ledningen.
- Hvis kjøleapparatet er koblet til vekselstrøm-stikkkontakten: Koble kjøleapparatet og andre forbrukere fra kjøretøybatteriet før du kobler til hurtigladeren.
- Hvis kjøleapparatet er koblet til vekselstrøm-stikkkontakten: Koble fra forbindelsen eller slå av kjøleapparatet når du slår av motoren. Hvis ikke kan kjøretøybatteriet lades ut.
- Kjøleapparatet er ikke egnet for transport av etsende eller løsemiddelholdige stoffer.

- Dette kjøleapparatet har brennbart syklopentan i isoleringen. Gassene i isolasjonsmaterialet krever en spesiell bortskaffingsprosess. Etter endt levetid skal kjøleapparatet bortskaffes på forskriftsmessig måte.

2.2 Sikkerhet ved bruk av kjøleapparatet



FORSIKTIG!

- Før du tar apparatet i bruk, må du passe på at ledningen og støpslet er tørre.
- Bruk apparatet kun på steder med god lufting.
- Bruk apparatet kun under oppsikt.
- Bruk kjøleapparatet alltid med bare én energikilde.



PASS PÅ!

- Ikke bruk elektriske apparater inne i kjøleapparatet med mindre produsenten anbefaler slik bruk av slike apparatene.
- Ikke plasser kjøleapparatet i nærheten av åpen ild eller andre varmekilder (oppvarming, sterk solbestråling, gassovner osv.).
- **Fare for overoppheting!**
Påse at varme som oppstår under drift alltid blir tilstrekkelig ventilert bort. Påse at kjøleapparatet står langt nok unna vegger eller gjenstander, slik at luften kan sirkulere.
- Pass på at lufteåpningene ikke blir blokkert. Overhold minsteavstandene (fig. 1, side 3).
- Fyll ikke væsker eller is i den innvendige beholderen.
- Dypp aldri kjøleapparatet i vann.
- Beskytt kjøleapparatet og kabelen mot varme og fuktighet.
- For at kuldemedlet skal kunne sirkulere korrekt skal kjøleapparatet ikke helle mere enn 3°. Plasser kjøleapparatet vannrett ved hjelp av et vater.

2.3 Sikkerhet ved drift med likestrøm



PASS PÅ!

- Velg drift med likestrøm (batteridrift) kun når du bruker batterivakt, eller når kjøretøygeneratoren leverer tilstrekkelig spenning.
- Bruk kun kabel med tilstrekkelig kabelvernsnitt (se tabell på side 179).

2.4 Sikkerhet ved drift med vekselstrøm



PASS PÅ!

- Sammenlign spenningsspesifikasjonene på merkeskiltet med tilgjengelig strømtilførsel.
- Bruk bare den tilhørende tilkoblingskabelen for å koble kjøleapparatet til vekselstrømnettet.
- Trekk aldri støpslet ut av stikkontakten etter ledningen.

2.5 Sikkerhet ved drift med gass



ADVARSEL!

- Kjøleapparatet må **utelukkende** benyttes i friluft ved drift med gass.
- Driv aldri kjøleapparatet med gass
 - i kjøretøy som kjører på vei, i båter eller i lukkede rom
 - ved bensinstasjoner
 - på ferger
- **Kvelningsfare!**
Drift av apparatet med gass i et uventilert område fører til surstoffmangel i nevnte område.
- Sørg for at området er tilstrekkelig ventilert mens apparatet er i drift.
- Ikke bruk apparatet i områder som ikke er ventilert, slik som i lukkede rom, telt, biler, bobiler, campingvogner, skip, yachter, båter og lastebilførerhus.
- Sett ikke apparatet i nærheten av lettantennelige materialer (papir, tørt løv, tekstiler).
- Hold brennbare gjenstander borte fra brenneren.
- Kjøleapparatet må **kun** drives med trykket som er oppgitt på typeskiltet. Bruk en fast innstilt DIN-DVGW-godkjent trykkregulator iht. DIN EN 16129.
- Oppbevar **aldri** {35} {36} flasker med flytende gass på steder uten lufting eller under bakkenivå (traktformede grøfter).
- Utsett ikke flasker med flytende gass for direkte sollys. Temperaturen må ikke overskride 50 °C.
- Kontroller aldri at kjøleapparatet er tett ved hjelp av åpen ild.

- Ved gasslukt:
 - Lukk sperrekranen på gassforsyningen og flaskeventilen.
 - Ikke bruk elektriske brytere.
 - Slukk all åpen ild.
 - Få gassanlegget sjekket av en fagperson.

**PASS PÅ!**

- Bruk kun propan- eller butangass (ikke naturgass).

3 Leveringsomfang

Antall	Betegnelse
1	Absorberkjøleboks
1	Skål med lokk for å lage isbiter
1	Bruksanvisning

4 Tiltentkt bruk

Absorberkjøleboksen er beregnet på nedkjøling av matvarer.

Kjøleboksen kan drives med likestrøm, vekselstrøm eller gass.

Apparatet er også egnet til camping-bruk. Apparatet må ikke utsettes for regn.

**FORSIKTIG! Helsefare!**

Kontroller at kjøleeffekten til kjøleapparatet er i henhold til kravene for matvarene du ønsker å kjøle.

5 Teknisk beskrivelse

Kjøleapparatet er egnet for mobil bruk. Det kan avkjøle eller holde varer kalde inntil maks. 30 °C under omgivelsestemperaturen.

Kjøleapparatet må bare benyttes ute i det fri ved gassdrift.

Kjøleapparatet kan ved elektrisk drift også brukes i lukkede rom.

5.1 Kontakter

Pos. i fig. 2 , side 4	Beskrivelse
1	Vekselstrøm-tilkoblingskabel
2	Likestrøm-tilkoblingskabel
3	Deksel for betjeningsselementer
4	Gastilkoblingsstuss (kun ACX35, ACX40)
5	Gasspatron (kun ACX40G)
6	Flamme-seglass

5.2 Betjeningsselementer

Pos. i fig. 3 , side 5	Beskrivelse
1	Kjøleeffektregulator
2	Temperaturregulator
3	Tenningsbryter

Hvis kjøleapparatet er tilkoblet til vekselstrømnettet stilles den ønskede kjøleeffekten inn med kjøleeffektregulatoren (**1**):

- For å **øke** kjøleeffekten dreier du kjøleeffektregulatoren (**1**) med urviseren. For maksimal kjøleeffekt dreier du kjøleeffektregulatoren (**1**) med urviseren helt til den stopper (posisjon «7»).
- For å **redusere** kjøleeffekten dreier du kjøleeffektregulatoren (**1**) mot urviseren.
- For å slå av kjøleapparatet dreier du kjøleeffektregulatoren (**1**) mot urviseren til den stopper (posisjon «0»).

Når kjøleapparatet er koblet til likestrøm-stikkkontakten, kan **ikke** kjøleeffekten stilles inn.

Hvis kjøleapparatet drives med gass stilles den ønskede kjøleeffekten inn ved hjelp av temperaturregulatoren (**2**).

- ▶ For å **øke** kjøleeffekten dreier du temperaturregulatoren (**2**) med urviseren. For maksimal kjøleeffekt dreier du temperaturregulatoren (**2**) til den høyeste innstillingen.
- ▶ For å **redusere** kjøleeffekten dreier du temperaturregulatoren (**2**) mot urviseren.
- ▶ For å slå av kjøleapparatet dreier du temperaturregulatoren (**2**) mot urviseren til den stopper (posisjon «O»).

6 Betjening



FORSIKTIG! Helsefare!

Næringsmidler må oppbevares i originalforpakning eller i egnede beholdere.



PASS PÅ! Fare for skade!

- Pass på at kun gjenstander hhv. varer som tåler nedkjøling til innstilt temperatur befinner seg i kjøleapparatet.
- Påse at drikke eller matvarer i glassbeholdere ikke blir for mye avkjølt. Ved frysing utvider drikke og flytende matvarer seg. Dermed kan glassbeholderne bli ødelagt.
- Pass på at kjøleapparatet får tilstrekkelig lufting, slik at varmen som trekkes inn kan ledes bort, hvis ikke er ikke feilfri funksjon garantert. Pass spesielt på at lufteåpningene ikke tildekkes.

**MERK**

- Før det nye kjøleapparatet tas i bruk, skal man av hygieniske årsaker rengjøre det innvendig og utenpå med en fuktig klut (se også kapittel «Rengjøring og stell» på side 189).
- Avkjøl kjøleapparatet drevet fra nettet eller med gass i omlag 24 timer før reisen starter. Dermed oppnår du raskere ønsket kjøleeffekt på stedet den skal brukes.
- Kjøleeffekten kan bli påvirket av
 - omgivelsestemperaturen
 - mengden matvarer som skal kjøles
 - hvor ofte lokket blir åpnet
- Det kan danne seg et par vandrdåper på innsiden av kjøleapparatet når det har kjølt seg ned over lengre tid. Dette er normalt fordi fuktigheten i luften kondenserer til vandrdåper når temperaturen i kjøleapparatet avkjøles. Kjøleapparatet er ikke defekt. Tørk det evt. bort med en tørr klut.

- Trykk på dekselet (fig. **2** 3, side 4) for betjeningsselementene for å åpne det.
- Trykk på dekselet (fig. **2** 3, side 4) for betjeningsselementene i retning av lokket helt til det smekker i lås for å lukke det.

6.1 Tips for energisparing

- Velg et montasjested som har god ventilasjon og er beskyttet mot solstråling.
- Avkjøl varm mat før du plasserer den i apparatet for avkjøling.
- Ikke åpne kjøleapparatet lenger enn nødvendig.
- Ikke la kjøleskapet stå lenger åpent enn nødvendig.

6.2 Bruke kjøleboksen i likestrømsdrift

- Sett kjøleapparatet på et stødig, jevnt underlag.
- Koble likestrøm-tilkoblingskabelen (fig. **2** 2, side 4) til likestrømkontakten i kjøretøyet.
- ✓ Kjøleapparatet starter med nedkjøling av det innvendige rommet.
- Trekk ut likestrømtilkoblingskabelen for å ta kjølesystemet ut av drift.

6.3 Tilkobling til sigarettenner



MERK

Når du kobler kjøleapparatet til sigaretteneren på kjøretøyet, må du slå på tenningen slik at apparatet får strøm.

6.4 Bruke kjøleboksen i vekselstrømsdrift

- ▶ Sett kjøleapparatet på et stødig, jevnt underlag.
- ▶ Koble vekselstrøm-tilkoblingskabelen (fig. **2** 1, side 4) til vekselstrømnettet.
- ▶ Drei kjøleeffektregulatoren (fig. **3** 1, side 5) til ønsket stilling.
- ✓ Kjøleapparatet starter med nedkjøling av det innvendige rommet.

6.5 Koble kjøleboks ACX 35, ACX40 til en ekstern gassforsyning (DE, AT, CH)



ADVARSEL!

Kjøleapparatet må kunne sperres av separat ved hjelp av en stengeinnretning i gassledningen. Stengeinnretningen må være lett tilgjengelig.



PASS PÅ!

- Kjøleapparatet skal bare kobles til gassforsyningen av en fagperson og i henhold til gjeldende forskrifter og standarder.
- Bruk kun propan- eller butangassflasker (ikke naturgass eller kullgass) med testet trykkreduksjonsventil og et passende toppstykke. Sammenlikne trykkangivelsen på typeskiltet med trykkangivelsen på trykkregulatoren på propan- eller butangassflasken.
- Følg de trykkene som er tillatt i ditt land. Bruk en fast innstilt DIN-DVGW-godkjent trykkregulator:
 - I Tyskland: DIN EN 16129.
 - I Europa: EN 732, EN 521 og EN 437:2003+A1:2009.
- Kjøleapparatet må bare brukes med teknisk plettfriske slangeledninger. Erstatt porøse eller skadde slangeledninger umiddelbart.



MERK

- Bruk en gasstrykkregulator som svarer til det gasstrykket som er oppgitt på merkeskiltet.

Gå fram på følgende måte (fig. **4**, side 5):

- Sett kjøleapparatet på et stødig, jevnt underlag.

**ADVARSEL!**

Bruk kun testede slangeledninger (DIN 4815 del 2) med maks. lengde på 1,5 m.

- Forbind slangeledningen (**3**) med gasstilkoblingsstussen (**2**) på kjøleapparatet. Bruk to fastnøkler (**1**) med nøkkelbredde 13 mm og 17 mm til dette.
- Påse at slangeledningen
 - ikke blir klemt eller skarpt bøyd
 - ligger i sikker avstand fra brenneren
- Dra beskyttelseshetten (**4**) av fra sikkerhetstilkoblingen (**5**) på gasstilkoblingen.
- Trykk niplene til slangeledningene (**3**) inn i sikkerhetstilkoblingen (**5**) helt til de hørbart smekker i lås.
- Åpne ventilen (**6**) på sikkerhetstilkoblingen (**5**).
- Åpne gassflaske- eller gassbeholderventilen.

**ADVARSEL!**

Sjekk aldri at flasken er tett ved hjelp av åpen flamme eller i nærheten av tennkilder.

- Kontroller om alle forbindelser er tette med lekkasjesøkespray. Forbindelsespunktene er tette hvis det **ikke** danner seg noen bobler.

Koble kjøleboksen fra ekstern gassforsyning

- Lukk ventilen (**6**) på sikkerhetstilkoblingen (**5**) til gasstilkoblingen.
- Koble fra slangeledningen (**2**) ved å skyve skyvehylsen i retning armaturhåndtaket.
- Sett beskyttelseshetten (**4**) inn på sikkerhetstilkoblingen (**5**).
- Still temperaturregulatoren (fig. **3** 2, side 5) på «O».

6.6 Koble kjøleboks ACX 35, ACX40 til en gassflaske

Ta hensyn til følgende nasjonale kategorier med hensyn til type gass og gasstrykk:

Land	Apparatkategori
Danmark, Finland, Ungarn, Norge, Polen, Sverige	I ₃ B/P – 30 mbar
Belgia, Tsjekkia, Frankrike, Italia, Nederland, Portugal, Slovakia, Spania, Storbritannia	I ₃ + – 28 – 30 / 37 mbar
Østerrike, Tyskland, Luxembourg, Sveits	I ₃ B/P – 50 mbar

- Koble kjøleboks ACX35, ACX40 til gasslangen (fig. **6**, side 7) og gassflasken (fig. **7**, side 8).



PASS PÅ!

- Etter at apparatet er koblet til gasstilførselen, må du kontrollere at gassledningen er tett på alle tilkoblingsstedene (alle gjengeforbindelser, slangetilkoblingsforbindelser med fester, forbindelse til gassflasken) med et middel som danner skum, f.eks. med såpe.
- Kontroller også slangen visuelt (at det ikke er sprekker, klimapåvirkning og at det ikke forekommer skader).
- Bytt straks ut en defekt slange i en ny.

6.7 Tilkoble gasspatroner til kjøleboks ACX40G



ADVARSEL!

- Ta hensyn til behandlings- og lagringsinstruksene til gasspatronen.
- Forsikre deg om at tilkoblingene på gasspatronen og kjøleapparatet er rene.



MERK

Kjøleapparatet er egnet for bruk med selvsikrende gasspatroner av typen CAMPINGAZ CP250.

- Trykk gasspatronen inn i kontakten på kjøleapparatet (fig. **5**, side 6) nedenfra.



ADVARSEL!

Sjekk aldri at flasken er tett ved hjelp av åpen flamme eller i nærheten av tennkilder.

- Kontroller om alle forbindelser er tette med lekkasjesøkespray.
Forbindelsespunktene er tette hvis det **ikke** danner seg noen bobler.

Før hver bevegelse på kjøleapparatet:

- Ta av gasspatronen.

6.8 Bruke kjøleboksen i gassdrift

- Drei temperaturregulatoren (fig. **3** 2, side 5) til høyeste innstilling.
- Trykk inn temperaturregulatoren og hold den inn.
- Etter ca. 10 sekunder trykker du tenningsbryteren (fig. **3** 3, side 5) flere ganger etter hverandre helt til flammen tenner.
- ✓ Etter vellykket tenning kan flammen sees i flamme-seglasset (fig. **2** 6, side 4).
- Hold temperaturregulatoren inntrykket i ytterligere 20 sekunder.

6.9 Slå av kjøleboksen

- Skru igjen gassventilen på apparatet og på gassflasken.

6.10 Tine av kjøleboksen



PASS PÅ!

Bruk aldri mekaniske verktøy til å fjerne islag eller for å løsne fastfrosne gjenstander.



MERK

Over tid dannes det rim på kjøleribbene inne i kjøleapparatet. Når dette rimsjiktet er omtrent 3 mm, skal man tine av kjøleapparatet.

- Avbryt spennings- og gasstilførselen.
- Tøm kjøleapparatet.
- Legg en klut i fryserommet for å samle opp vann.
- La lokket stå åpent.
- Tørk av kjølerommet med en klut.

7 Rengjøring og stell



ADVARSEL!

Skill apparatet fra strømmettet før rengjøring og stell.



PASS PÅ! Fare for skade!

- Kjøleapparatet må aldri rengjøres under rennende vann eller spyles.
- Bruk ikke slipende vaskemidler eller harde gjenstander til rengjøring, da det kan skade kjøleapparatet.

- Rengjør apparatet innvendig og utvendig fra tid til annen med en fuktig klut.
- Påse at ventilasjonsåpningene på apparatet er fri for støv og forurensinger, slik at varmen som oppstår under drift kan ledes bort og apparatet ikke tar skade.

8 Garanti

Lovmessig garantitid gjelder. Hvis produktet skulle være defekt, kontakter du produsentens filial i ditt land (du finner adressene på baksiden av veiledningen) eller til din faghandler.

Ved henvendelser vedrørende reparasjon eller garanti, må du sende med følgende dokumentasjon:

- kopi av kvitteringen med kjøpsdato,
- årsak til reklamasjonen eller beskrivelse av feilen.

9 Utbedring av feil

Feil	Mulig årsak	Forslag til løsning
Kjølesystemet fungerer ikke.	Kjøleboksen er satt opp feil.	Kontroller om apparatet står vannrett. Kontroller at det er sørget for nok lufting.
	Kjølekretsen er defekt.	Reparasjonen kan kun utføres av en godkjent kundeservicebedrift.

Feil	Mulig årsak	Forslag til løsning
Ved likestrømsdrift: Kjøleapparatet fungerer ikke (støpslet er plagget inn).	Det er ikke noen spenning i likestrømsstikkkontakten i kjøretøyet.	I de fleste kjøretøyer må tenningen være på for at likestrømsstikkkontakten skal ha spenning.
	Kontakten til likestrømsstikkkontakten er tilsmusset. Dette fører til dårlig elektrisk kontakt.	Hvis pluggen i likestrømsstikkkontakten blir svært varm, må enten kontakten gjøres ren, eller så er pluggen muligens ikke korrekt montert.
	Sikringen til likestrømspluggen har gått.	Bytt sikringen (fig. 6 1, side 7) til likestrømsstikkkontakten med en tilsvarende sikring.
	Kjøretøysikringen har gått.	Skift ut kjøretøysikringen til likestrømsstikkkontakten (vanligvis 15 A) (følg bruksanvisningen til kjøretøyet).
Ved vekselstrømsdrift: Kjøleapparatet fungerer ikke (støpslet er plagget inn).	Vekselstrømsstikkkontakten har ikke spenning.	Prøv å koble til en annen stikkontakt.
Ved gassdrift: Kjøleapparatet fungerer ikke (kjøleapparatet er tilkoblet til gass).	Kjøleapparatet er ikke riktig tilkoblet til gass.	Kontroller om det er sørget for en feilfri gassforsyning. Kontroller om ventilen på gassflasken er åpen. Kontroller om det er gass på flasken. Kontroller om flere energikilder er tilkoblet samtidig. Hold temperaturregulatoren lenger inne for å tenne.
Kjøleapparatet starter ikke lenger når det er lenge siden det har vært brukt.	–	Sett kjøleapparatet på hodet og vent i ca. fem minutter - det skal ikke være tilkoblet noen energikilder. Snu kjøleapparatet og slå det på igjen.

10 Avfallshåndtering

- Lever emballasje til resirkulering så langt det er mulig.



Når du tar produktet ut av drift for siste gang, må du sørge for å få informasjon om deponeringsforskrifter hos nærmeste resirkuleringsstasjon eller hos din forhandler.

11 Tekniske spesifikasjoner

	ACX35	ACX40	ACX40G
Nominell varmebelastning Butan:	144 W		
Minste varmebelastning Butan:	123 W		–
Tilkoblingsspenning:	12 V $\overline{=}$ 220 – 240 V \sim , 50/60 Hz		
Effektforbruk:	75 W	85 W	
Kjøleeffekt:	maks. 30 °C under omgivelsestemperatur		
Bruttoinnhold:	33 l	41 l	
Nytteinnhold:	31 l	40 l	
Energiforbruk:	1,4 kWh/24 t	1,6 kWh/24 t	
Klimaklasse:	N		
Omgivelsestemperatur:	16 til 32 °C		
Støyutslipp:	0 dB		
Kjølemiddel	159 g H ₂ O + 86 g NH ₃		
Mål B x H x D i mm:	Se fig. 8 , side 9		
Vekt:	ca. 15 kg	ca. 14 kg	ca. 15 kg
Test/Sertifikat:			

	ACX35		ACX40	
	28 – 30 mbar, 30 mbar, 37 mbar	50 mbar	28 – 30 mbar, 30 mbar, 37 mbar	50 mbar
Art.nr:	9105204280 9105204281 9105204282 9105204290	9105204279	9105204285 9105204287 9105204286 9105204288	9105204284
Gassforbruk:	10,5 g/h	9,9 g/h	10,5 g/h	9,9 g/h

	ACX40G
Art.nr:	9105204291 9105204289
Gassforbruk:	10,5 g/h

Lue tämä ohje huolellisesti läpi ennen käyttöönottoa ja säilytä ohje hyvin. Jos myyt tuotteen eteenpäin, anna ohje tällöin edelleen uudelle käyttäjälle.

Valmistaja ei ota vastuuta vahingoista, jotka aiheutuvat **epäasianmukaisesta käytöstä** tai **väärästä käytöstä**.

Sisällysluettelo

1	Symbolien selitykset	194
2	Turvallisuusohjeet	194
3	Toimituskokonaisuus	198
4	Käyttötarkoitus	198
5	Tekninen kuvaus	199
6	Käyttö	200
7	Puhdistus ja hoito	206
8	Tuotevastuu	206
9	Häiriöiden poistaminen	207
10	Hävittäminen	208
11	Tekniset tiedot	208

1 Symbolien selitykset

**VAROITUS!**

Turvallisuusohje: Huomiotta jättäminen voi aiheuttaa hengenvaaran tai vakavan loukkaantumisen.

**HUOMIO!**

Turvallisuusohje: Huomiotta jättäminen voi johtaa loukkaantumiseen.

**HUOMAUTUS!**

Huomiotta jättäminen voi johtaa materiaalivaurioihin ja haitata tuotteen toimintaa.

**OHJE**

Tuotteen käyttöä koskevia lisätietoja.

2 Turvallisuusohjeet

2.1 Yleinen turvallisuus

**VAROITUS!**

- Älä milloinkaan avaa absorptioaggregaattia. Se on korkean paineen alainen ja voi aiheuttaa loukkaantumisia, jos se avataan.
- Kylmälaitetta ei saa ottaa käyttöön, jos siinä on näkyviä vaurioita.
- Jos tämän kylmälaitteen liitännäjohto vaurioituu, tulee valmistajan tai valtuutetun asiakaspalvelun tai vastaavasti pätevän henkilön vaihtaa se vaaran välttämiseksi.
- Ainoastaan ammattilaiset saavat korjata tätä kylmälaitetta. Epäasianmukaisista korjauksista saattaa aiheutua huomattavia vaaroja.
- Tätä kylmälaitetta saavat käyttää valvonnan alaisuudessa vähintään 8-vuotiaat lapset samoin kuin henkilöt, joiden fyysiset, aistinvaraiset tai henkiset valmiudet ovat rajoittuneet tai joilta puuttuu käytön vaatima kokemus tai tietämys, siinä tapauksessa, että he ovat saaneet laitteen turvallista käyttöä koskevan perehdytyksen ja tämän perusteella ymmärtävät laitteen käytöstä aiheutuvat vaarat.
- Lapset eivät saa puhdistaa laitetta tai tehdä käyttäjähuoltoa ilman valvontaa.

- Lapset eivät saa leikkiä kylmälaitteella.
- Lapsia tulee valvoa sen varmistamiseksi, etteivät he leiki kylmälaitteella.
- Säilytä ja käytä kylmälaitetta alle 8-vuotiaiden lasten ulottumattomissa.
- Älä säilytä kylmälaitteessa mitään räjähdysalttiita tavaroita kuten esim. suihkepurkkeja, joissa on palavaa ponneainetta.



HUOMIO!

- Irrota kylmälaitte sähkö- ja kaasunsyötöstä
 - ennen jokaista puhdistusta tai huoltoa
 - jokaisen käytön jälkeen
- Elintarvikkeita saa säilyttää vain alkuperäispakkauksissa tai tarkoitukseen sopivissa astioissa.



HUOMAUTUS!

- Älä missään tapauksessa avaa jäähdytyskiertoa.
- Jäähdytyskierron sisältämä kylmäaine on helposti syttyvää. Kylmäainekierron vahingoituttua:
 - Ehkäise avotulen ja sytytyskipinöiden esiintyminen.
 - Tuuleta tila huolellisesti.
- Vertaa tyyppikilven jännitetietoja käytettävissä olevaan energiansyöttöön.
- Liitä kylmälaitte vain seuraavalla tavalla:
 - ajoneuvon tasavirtapistorasiaan (esim. tupakansytytin) tasavirtaliitäntäjohdolla
 - vaihtovirtaverkkoon vaihtovirtaliitäntäjohdolla
- Älä ota pistoketta koskaan pois pistorasiasista johdosta vetämällä.
- Jos kylmälaitte on liitetty tasavirtapistorasiaan: Irrota kylmälaitte ja muut sähköä käyttävät laitteet ajoneuvon akusta ennen pikalaturin liittämistä.
- Jos kylmälaitte on liitetty tasavirtapistorasiaan: Irrota liitäntä tai sammuta kylmälaitte, kun sammutat moottorin. Muuten ajoneuvon akku voi purkautua.
- Kylmälaitte ei sovi syövyttävien tai liuotainainepitoisten aineiden kuljettamiseen.
- Tämän kylmälaitteen erityksessä on palavaa syklopentaania. Eristysmateriaalin kaasut vaativat erityisen hävittämismenetelmän. Vie kylmälaitte käyttöiän täytyttyä asianmukaiseen hävityspisteeseen.

2.2 Kylmälaitteen käyttöturvallisuus



HUOMIO!

- Huolehdi ennen laitteen käyttöönottoa siitä, että johto ja pistoke ovat kuivia.
- Käytä laitetta vain hyvin tuuletetuissa paikoissa.
- Käytä laitetta vain valvotusti.
- Käytä laitetta aina vain yhden energialähteen avulla.



HUOMAUTUS!

- Älä käytä kylmälaitteen sisällä sähkölaitteita, ellei valmistaja suosittele näitä sähkölaitteita tähän tarkoitukseen.
- Älä aseta kylmälaitetta alttiiksi avotulelle tai muille lämpölähteille (lämmitys, voimakas auringonpaiste, kaasuuunit jne.).
- **Ylikuumenemisvaara!**
Huolehdi aina siitä, käytössä syntyvä lämpö saadaan johdettua riittävän hyvin pois. Huolehdi siitä, että kylmälaite on riittävän etäällä seinistä tai esineistä, jotta ilma pääsee kiertämään.
- Huolehdi siitä, ettei tuuletusaukkoja peitetä.
Noudata vähimmäisetäisyyksiä (kuva **1**, sivulla 3).
- Älä laita sisäastiaan minkäänlaisia nesteitä tai jäätä.
- Älä koskaan upota kylmälaitetta veteen.
- Suojaa kylmälaite ja kaapelit kuumuudelta ja kosteudelta.
- Jotta kylmäaine voi kiertää asianmukaisesti, kylmälaitteen kallistuskulma ei saa olla suurempi kuin 3°. Aseta kylmälaite vatupassin avulla vaakasuoraan.

2.3 Turvallisuus tasavirtakäytössä



HUOMAUTUS!

- Valitse tasavirtakäyttö (akkukäyttö) ainoastaan, kun käytät akkuvahitia tai ajoneuvon generaattori tuottaa tarpeeksi jännitettä.
- Käytä ainoastaan kaapeleita, joiden poikkipinta on riittävän suuri (ks. taulukko sivulla 196).

2.4 Turvallisuus vaihtovirtakäytössä



HUOMAUTUS!

- Vertaa tyyppikilven jännitetietoja käytettävissä olevaan energiansyöttöön.
- Liitä kylmälaite vaihtovirtaverkkoon vain siihen kuuluvalla liitäntäjohdolla.
- Älä ota pistoketta koskaan pois pistorasiasta johdosta vetämällä.

2.5 Turvallisuus kaasukäytössä



VAROITUS!

- Kylmälaitetta saa käyttää kaasun avulla **ainoastaan** ulkotiloissa.
- Älä käytä kylmälaitetta koskaan kaasulla
 - ajoneuvoissa, vesikulkuneuvoissa tai suljetuissa tiloissa
 - huoltoasemilla
 - lautoilla
- **Tukehtumisvaara!**
Laitteen käyttäminen kaasulla tuulettamattomassa tilassa synnyttää happikadon.
- Varmista, että tilassa on riittävä tuuletus laitteen käytön aikana.
- Älä käytä laitetta tuulettamattomissa tiloissa kuten suljetuissa tiloissa, teltoissa, moottoriajoneuvoissa, matkailuautoissa, asuntovaunuissa, laivoissa, jahdeissa, veneissä ja kuorma-auton hytissä.
- Älä aseta laitetta helposti syttyvien materiaalien lähelle (paperi, kuivat lehdet, tekstiilit).
- Pidä palavat esineet kaukana polttimesta.
- Kylmälaitetta saa käyttää **ainoastaan** tyyppikilvessä mainitulla paineella. Käytä kiinteästi säädettyä DIN-DVGW-hyväksyttyä paineensäädintä, joka vastaa normia DIN EN 16129.
- Nestekaasupulloja **ei koskaan** saa säilyttää tuulettamattomissa paikoissa tai maan pinnan alapuolella (suppilomaiset kuopat).
- Suojaa nestekaasupullot suoralta auringonpaisteelta. Lämpötila ei saa ylittää 50 °C:ta.
- Älä koskaan etsi kylmälaiteesta vuotoja avoliekin avulla.

- Jos tunnet kaasunhajua:
 - Sulje kaasunsyötön sulkuhana ja pullon venttiili.
 - Älä käytä sähkökytkimiä.
 - Sammuta avoliekit.
 - Tarkastuta kaasulaite ammattiliikkeellä.



HUOMAUTUS!

- Käytä vain propaani- tai butaanikaasua (ei maakaasua).

3 Toimituskokonaisuus

Määrä	Nimitys
1	Absorbtio-kylmälaatikko
1	Kenno jääkuutioiden valmistamista varten
1	Käyttöohje

4 Käyttötarkoitus

Absorptio-kylmälaatikko sopii elintarvikkeiden jäähdyttämiseen.

Kylmälaatikkoa voidaan käyttää tasavirralla, vaihtovirralla tai kaasulla.

Laitte sopii myös camping-käyttöön. Laitetta ei saa asettaa alttiiksi sateelle.



HUOMIO! Terveysriski!

Tarkista, vastaako laitteen jäähdytysteho niiden elintarvikkeiden vaatimuksia, joita haluat jäähdyttää.

5 Tekninen kuvaus

Kylmälaite sopii liikkuvaan käyttöön. Se voi jäähdyttää tuotteet jopa 30 °C ympäristön lämpötilaa kylmemmiksi tai pitää ne kylminä.

Kylmälaitetta saa käyttää kaasulla vain ulkotiloissa.

Kylmälaitetta saa käyttää sähköllä myös suljetuissa tiloissa.

5.1 Liitännät

Kohta – kuva 2 , sivulla 4	Nimitys
1	Vaihtovirtaliitântäjohto
2	Tasavirtaliitântäjohto
3	Käyttölaitteiden kate
4	Kaasun liitântäistukka (vain ACX35, ACX40)
5	Kaasupatruuna (vain ACX40G)
6	Liekki-ikkuna

5.2 Käyttölaitteet

Kohta – kuva 3 , sivulla 5	Nimitys
1	Jäähdytystehosäädin
2	Lämpötilasäädin
3	Sytytyspainike

Kun kylmälaite on liitetty vaihtovirtaverkkoon, haluttu jäähdytysteho säädetään jäähdytystehosäätimellä (**1**):

- **Suurena** jäähdytystehoa kääntämällä jäähdytystehosäädintä (**1**) myötäpäivään. Maksimijäähdytystehon saat kääntämällä jäähdytystehosäädintä myötäpäivään (**1**) niin pitkälle kuin se menee (asento "7").
- **Pienennä** jäähdytystehoa kääntämällä jäähdytystehosäädintä (**1**) vastapäivään.
- Kytke kylmälaite pois päältä kääntämällä jäähdytystehosäädintä (**1**) vastapäivään niin pitkälle kuin se menee (asento "0").

Kun kylmälaite on liitetty tasavirtapistorasiaan, jäähdytystehoa **ei** voi säätää.

Kun kylmälaitetta käytetään kaasulla, haluttu jäähdytysteho säädetään lämpötilasäätimellä (2).

- ▶ **Suurena** jäähdytystehoa kääntämällä lämpötilasäädintä (2) myötöpäivään. Maksimijäähdytystehon saat asettamalla lämpötilasäätimen (2) suurimpaan asentoonsa.
- ▶ **Pienenä** jäähdytystehoa kääntämällä lämpötilasäädintä (2) vastapäivään.
- ▶ Kytke kylmälaite pois päältä kääntämällä lämpötilasäädintä (2) myötöpäivään niin pitkälle kuin se menee (asento "O").

6 Käyttö



HUOMIO! Terveysriski!

Elintarvikkeita saa säilyttää vain alkuperäispakkauksissa tai tarkoitukseen sopivissa astioissa.



HUOMAUTUS! Vaurioitumisvaara!

- Huolehdi siitä, että kylmälaiteessa on vain esineitä tai tuotteita, jotka saa jäähdyttää valittuun lämpötilaan.
- Huolehdi siitä, ettet jäähdytä lasiastioissa olevia juomia tai ruokia liian voimakkaasti. Juomat ja nestemäiset ruoat laajenevat jäätyessään. Tämä voi rikkoa lasiastian.
- Huomioi, että kylmälaite tarvitsee kunnon tuuletuksen, jotta sen synnyttämä lämpö pääsee poistumaan. Muutoin laitteen asianmukaista toimintaa ei voida taata. Erityisesti tuuletusaukkoja ei saa peittää.



OHJE

- Puhdista uusi kylmälaite hygieenisistä syistä kostealla liinalla sisältä ja ulkoa ennen laitteen käyttöön ottamista (ks. myös kap. ”Puhdistus ja hoito” sivulla 206).
- Jäähdytä kylmälaitetta noin 24 tunnin ajan ennen matkan alkua käyttämällä energialähteenä joko verkkosähköä tai kaasua. Näin haluttu jäähdytysteho on mahdollista saavuttaa nopeammin käyttöpaikassa.
- Jäähdytystehoon voi vaikuttaa
 - ympäristön lämpötila
 - säilöttävien elintarvikkeiden määrä
 - kannen avaamistiheys
- Kylmälaitteen sisään voi muodostua muutama vesipisara, jos se jäähtyy pidemmän aikaa. Tämä on tavallista, koska ilman kosteus kondensoituu vesipisaroiksi, kun lämpötila kylmälaiteessa alenee. Kylmälaite ei ole rikki. Pyyhi se tarvittaessa kuivalla liinalla.

- Paina käyttölaitteiden kantta (kuva **2** 3, sivulla 4) sen avaamiseksi.
- Sulje käyttölaitteiden kansi (kuva **2** 3, sivulla 4) painamalla sitä kannen suuntaan, kunnes se lokahtaa kiinni.

6.1 Vinkkejä energian säästämiseen

- Valitkaa asennuspaikka, joka on hyvin tuuletettu ja suojassa auringonpaisteelta.
- Antakaa lämminten ruokien jäähtyä ennen niiden säilyttämistä laitteessa kylminä.
- Älkää avatko kylmälaitetta tarpeettoman usein.
- Älä jätä jäähdytyslaitetta auki pidemmäksi ajaksi kuin tarpeen.

6.2 Kylmälaatikon käyttäminen tasavirralla

- Aseta kylmälaite tukevalle, tasaiselle alustalle.
- Liitä tasavirtaliitäntäjohto (kuva **2** 2, sivulla 4) ajoneuvon tasavirtapistoraasiaan.
- ✓ Kylmälaite alkaa jäähdyttää sisätilaansa.
- Vedä tasavirtaliitäntäjohto irti kylmälaitteen poistamiseksi käytöstä.

6.3 Liittäminen savukkeensytyttimeen



OHJE

Huomaa, että virran täytyy mahdollisesti olla virransyöttöä varten päällä, kun kylmälaite liitetään ajoneuvon savukkeensytyttimeen.

6.4 Kylmälaatikon käyttäminen vaihtovirralla

- Aseta kylmälaite tukevalle, tasaiselle alustalle.
- Liitä vaihtovirtaliitäntäjohto (kuva **2** 1, sivulla 4) vaihtovirtaverkkoon.
- Käännä jäähdytystehosäädin (kuva **3** 1, sivulla 5) haluamaasi asentoon.
- ✓ Kylmälaite alkaa jäähdyttää sisätilaansa.

6.5 Kylmälaatikon ACX35, ACX40 liittäminen ulkoiseen kaasunsyöttöön (DE, A, CH)



VAROITUS!

Kylmälaite tulee voida sulkea erikseen kaasujohdossa olevalla sulkulaitteella. Sulkulaitteen tulee olla helposti tavoitettavissa.



HUOMAUTUS!

- Kylmälaitteen saa liittää kaasunsyöttöön ainoastaan ammattilainen voimassa olevien määräysten ja normien mukaan.
- Käytä vain propaani- tai butaanikaasupulloja (ei maakaasua tai kaupunkikaasua), joissa on tarkastettu paineenalennusventtiili ja sopiva pääkappale. Vertaa tyyppikilven painetietoja propaani- tai butaanikaasupullon paineensäätimen painetietoihin.
- Ota huomioon omassa maassasi sallitut paineet. Käytä kiinteästi säädettyä DIN-DVGW-hyväksyttyä paineensäädintä:
 - Saksassa pätee: DIN EN 16129.
 - Euroopassa pätee: EN 732, EN 521 ja EN 437:2003+A1:2009.
- Kylmälaitetta saa käyttää vain teknisesti moitteettomien letkujen avulla. Vaihda hapertuneet tai vaurioituneet letkut välittömästi.



OHJE

- Käytä kaasunpainesäädintä, joka vastaa tyyppikilvessä ilmoitettua painetta.

Menettele seuraavasti (kuva **4**, sivulla 5):

- Aseta kylmälaite tukevalle, tasaiselle alustalle.



VAROITUS!

Käytä vain (standardin DIN 4815, osa 2 mukaisesti) hyväksytyjä letkujohdtimeja, joiden pituus on enintään 1,5 m.

- Liitä letkujohdin (**3**) kylmälaitteen kaasuliitäntästukkkaan (**2**).
Käytä tähän kahta kiintoavainta (**1**), joiden koot ovat 13 mm ja 17 mm.
- Huolehdi siitä, että letkujohdin
 - ei joudu puristuksiin tai taitteelle
 - on riittävän kaukana polttimesta
- Vedä suojakorkki (**4**) pois kaasuliitäntän turvaliitimestä (**5**).
- Paina kaasujohtimen pistoketta (**3**) kaasuliitäntän turvaliittimeen (**5**), kunnes se loksahtaa kuuluvasti.
- Avaa venttiili (**6**) turvaliitimestä (**5**).
- Avaa kaasupullo- tai kaasusäiliöventtiili.



VAROITUS!

Älä tarkasta tiiviyttä koskaan avoliekillä tai sytytyslähteiden lähellä.

- Tarkasta kaikkien liitäntöjen tiiviyys vuodonetsintäsuihkeella.
Liitoskohdat ovat tiiviitä, kun kuplia **ei** muodostu.

Kylmälaatikon irrottaminen ulkoisesta kaasunsyötöstä

- Sulje venttiili (**6**) kaasunsyötön turvaliitimestä (**5**).
- Irrota letkujohdin (**2**) työntämällä liukuholkkia hanakahvaan päin.
- Laita suojakorkki (**4**) turvaliittimeen (**5**).
- Käännä lämpötilasäädin (kuva **3** 2, sivulla 5) asentoon "O".

6.6 Kylmälaatikon ACX35, ACX40 liittäminen kaasupulloon

Noudata seuraavia maakohtaisia luokkia, jotka koskevat kaasulajia ja kaasunpainetta:

Maa	Laiteluokat
Tanska, Suomi, Unkari, Norja, Puola, Ruotsi	I ₃ B/P – 30 mbar
Belgia, Tsekin tasavalta, Ranska, Italia, Hollanti, Portugali, Slovakia, Espanja, Yhdistyneet kuningaskunnat	I ₃ + – 28 – 30 / 37 mbar
Itävalta, Saksa, Luxemburg, Sveitsi	I ₃ B/P – 50 mbar

- Liitä kylmälaatikko ACX35, ACX40 kaasuletkuun (kuva **6**, sivulla 7) ja kaasupulloon (kuva **7**, sivulla 8).



HUOMAUTUS!

- Kun laite on liitetty kaasunsyöttöön, tarkasta seuraavaksi kaasujohtimen kaikkien liitoskohtien tiiviys (kaikki kierrelliitokset, letkuliitokset joissa on letkuklemmari, liitos kaasupulloon) kuplia muodostavalla aineella, esim. saippualliuoksella.
- Tarkasta letku myös silmämääräisesti (että siinä ei näy halkeamia, kulumaa eikä vaurioita).
- Vaihda viallinen letku heti uuteen.

6.7 Kaasupatruunan liittäminen kylmälaatikkoon ACX40G



VAROITUS!

- Noudata kaasupatruunan käsittely- ja säilytysohjeita.
- Varmista, että kaasupatruunan ja kylmälaitteen liitännöissä ei ole likaa.



OHJE

Kylmälaite sopii käytettäväksi itsevarmistuvilla kaasupatruunoilla, joiden tyyppi on CAMPINGAZ CP250.

- Paina kaasupatruuna alapuolelta kylmälaitteen liitántään (kuva **5**, sivulla 6).

**VAROITUS!**

Älä tarkasta tiiviyttä koskaan avoliekillä tai sytytyslähteiden lähellä.

- Tarkasta kaikkien liitäntöjen tiiviyys vuodonetsintäsuihkeella. Liitoskohdat ovat tiiviitä, kun kuplia **ei** muodostu.

Ennen kylmälaitteen jokaista liikuttelua:

- Ota kaasupatruuna pois.

6.8 Kylmälaitteen käyttäminen kaasulla

- Käännä lämpötilasäädin (kuva **3** 2, sivulla 5) asentoon suurimpaan asentoon.
- Paina lämpötilansäädintä ja pidä se painettuna.
- Paina n. 10 sekunnin kuluttua sytytyspainiketta (kuva **3** 3, sivulla 5) useita kertoja peräkkäin, kunnes liekki syttyy.
- ✓ Onnistuneen sytytyksen jälkeen liekki näkyy liekki-ikkunassa (kuva **2** 6, sivulla 4).
- Pidä lämpötilansäädin vielä 20 sekuntia painettuna.

6.9 Kylmälaitteen pois päältä kytkeminen

- Käännä laitteen ja kaasupullon kaasuventtiilit kiinni.

6.10 Kylmälaitteen sulattaminen

**HUOMAUTUS!**

Älä koskaan käytä mekaanisia työkaluja jääkerrostumisen poistoon tai kiinni jäätyneiden esineiden irrottamiseen.

**OHJE**

Ajan mittaan kylmälaitteen sisäpuolella oleviin jäähdytyslaippoihin muodostuu huurretta. Kun huurrekerros on noin 3 mm paksu, kylmälaitte on syytä sulattaa.

- Katkaise jännite- ja kaasusyöttö.
- Tyhjennä kylmälaitte.
- Sijoita kylmätilaan liina ylimääräisen veden keräämistä varten.

- Jätä kansi auki.
- Pyyhi kylmätila liinalla kuivaksi.

7 Puhdistus ja hoito



VAROITUS!

Irrota laite verkosta aina ennen puhdistusta ja huoltoa.



HUOMAUTUS! Vaurioitumisvaara!

- Älä puhdistu kylmälaitetta koskaan juoksevan veden alla tai tiskivedessä.
- Älä käytä puhdistamiseen kovia puhdistusaineita tai kovia esineitä, koska ne voivat vahingoittaa kylmälaitetta.

- Puhdistakaa laite toisinaan sisältä ja ulkoa kostealla liinalla.
- Varmista, että laitteen ilmanotto- ja poistoaukot ovat puhtaita pölystä ja liasta, jotta toiminnassa syntyvä lämpö voidaan johtaa pois ja laite ei pääse vaurioitumaan.

8 Tuotevastuu

Laitetta koskee lakisääteinen takuu-aika. Jos tuote sattuu olemaan viallinen, käänny maasi valmistajan toimipisteen puoleen (osoitteet käyttöohjeen takasivulla) tai ota yhteyttä omaan ammattikauppiaseesi.

Korjaus- ja takuukäsittelyä varten lähetä mukana seuraavat asiakirjat:

- kopio ostolaskusta, jossa näkyy ostopäivä,
- valitusperuste tai vikakuvaus.

9 Häiriöiden poistaminen

Häiriö	Mahdollinen syy	Ratkaisuehdotus
Kylmälaite ei toimi.	Kylmälaatikkoa ei ole sijoitettu oikein.	Tarkasta, onko laite vaakasuorassa. Tarkasta, onko riittävä tuuletus taattu.
	Jäähdytyskierto on rikki.	Vain valtuutettu asiakaspalveluliike voi korjata vian.
Tasavirtakäytössä: Kylmälaite ei toimi (pistoke on paikallaan).	Ajoneuvon tasavirtapistorasiasa ei ole jännitettä.	Useimmissa ajoneuvoissa virran täytyy olla päällä, jotta tasavirtapistorasiasa saa jännitettä.
	Tasavirtapistorasian kehys on likainen. Tämän vuoksi sähköinen kontakti on heikko.	Jos pistoke lämpenee tasavirtapistorasiasa hyvin lämpimäksi, joko kehys täytyy puhdistaa tai pistoketta ei ole mahdollisesti koottu oikein.
	Tasavirtapistokkeen sulake on palanut.	Vaihda tasavirtapistokkeen (kuva 6 1, sivulla 7) sulake vastaavaan sulakkeeseen.
	Ajoneuvon sulake on palanut.	Vaihda ajoneuvon tasavirtapistorasian sulake (yleensä 15 A) (noudata ajoneuvon käyttöohjeita).
Vaihtovirtakäytössä: Kylmälaite ei toimi (pistoke on paikallaan).	Vaihtovirtapistorasiasa ei ole jännitettä.	Kokeile toista pistorasiasa.
Kaasukäytössä: Kylmälaite ei toimi (kylmälaite on liitetty kaasuun).	Kylmälaitetta ei ole yhdistetty oikein kaasuun.	Tarkasta, onko moitteeton kaasun-syöttö taattu.
		Tarkista, onko kaasupullon venttiili auki. Tarkasta, onko pullossa vielä kaasua. Tarkasta, onko useita energialähteitä liitetty samanaikaisesti. Pidä lämpötilasäädin pidempään painettuna sytytystä varten.
Kylmälaite ei käynnisty enää pidemmän käyttötaujan jälkeen.	–	Aseta kylmälaite ilman liitettyä energialähdettä ylösalaisin ja odota noin viisi minuuttia. Käännä kylmälaite taas ympäri ja kytke se uudelleen päälle.

10 Hävittäminen

- Vie pakkausmateriaali mahdollisuuksien mukaan vastaavan kierrätysjätteen joukkoon.



Jos poistat tuotteen lopullisesti käytöstä, pyydä tietoa sen hävittämistä koskevista määräyksistä lähimmästä kierrätyskeskuksesta tai ammattiliikkeestäsi.

11 Tekniset tiedot

	ACX35	ACX40	ACX40G
Nimellislämpökuormitus Butaani:	144 W		
Minimilämpökuormitus Butaani:	123 W		-
Liitäntäjännite:	12 V --- 220 – 240 V \sim , 50/60 Hz		
Tehonkulutus:	75 W	85 W	
Jäähdytysteho:	maks. 30 °C alle ympäristölämpötilan		
Bruttotilavuus:	33 l	41 l	
Hyötytilavuus:	31 l	40 l	
Energiankulutus:	1,4 kWh/24 h	1,6 kWh/24 h	
Ilmastoluokka:	N		
Ympäristön lämpötila:	16 ... 32 °C		
Melupäästöt:	0 dB		
Kylmäaine	159 g H ₂ O + 86 g NH ₃		
Mitat (l x k x s), mm:	ks. kuva 8 , sivulla 9		
Paino:	n. 15 kg	n. 14 kg	n. 15 kg
Tarkastus/sertifikaatti:			

	ACX35		ACX40	
	28 – 30 mbar, 30 mbar, 37 mbar	50 mbar	28 – 30 mbar, 30 mbar, 37 mbar	50 mbar
Tuotenro:	9105204280 9105204281 9105204282 9105204290	9105204279	9105204285 9105204287 9105204286 9105204288	9105204284
Kaasunkulutus:	10,5 g/h	9,9 g/h	10,5 g/h	9,9 g/h

	ACX40G
Tuotenro:	9105204291 9105204289
Kaasunkulutus:	10,5 g/h

Przed uruchomieniem urządzenia należy uważnie przeczytać niniejszą instrukcję. Instrukcję należy zachować. W razie przekazywania urządzenia należy ją przekazać kolejnemu nabywcy.

Producent nie odpowiada za szkody powstałe w **wyniku użytkowania niezgodnego z przeznaczeniem** lub **niewłaściwej obsługi**.

Spis treści

1	Objaśnienie symboli	211
2	Wskazówki bezpieczeństwa	211
3	W zestawie	215
4	Użytkowanie zgodne z przeznaczeniem	216
5	Opis techniczny	216
6	Obsługa	218
7	Czyszczenie	224
8	Gwarancja	225
9	Usuwanie usterek	225
10	Utylizacja	226
11	Dane techniczne	227

1 Objąśnienie symboli

**OSTRZEŻENIE!**

Wskazówka dot. bezpieczeństwa: Nieprzestrzeganie może prowadzić do śmierci lub ciężkich obrażeń ciała.

**OSTROŻNIE!**

Wskazówka dot. bezpieczeństwa: Nieprzestrzeganie może prowadzić do obrażeń ciała.

**UWAGA!**

Nieprzestrzeganie może prowadzić do powstania szkód materialnych i zakłóceń w działaniu produktu.

**WSKAZÓWKA**

Informacje uzupełniające dot. obsługi produktu.

2 Wskazówki bezpieczeństwa

2.1 Ogólne informacje o bezpieczeństwie

**OSTRZEŻENIE!**

- Otwieranie agregatu absorpcyjnego jest zabronione. Ponieważ znajduje się on pod wysokim ciśnieniem, w przypadku otwarcia może spowodować obrażenia.
- Nie wolno uruchamiać urządzenia, jeśli posiada ono widoczne uszkodzenia.
- Gdy przewód przyłączeniowy tego urządzenia ulegnie uszkodzeniu, musi zostać wymieniony przez producenta, jego serwis lub podobnie wykwalifikowaną osobę, aby uniknąć zagrożenia.
- Urządzenie chłodnicze mogą naprawiać tylko odpowiednio wykwalifikowane osoby. Niefachowe naprawy mogą spowodować poważne niebezpieczeństwo.

- Dzieci od 8. roku życia i osoby o ograniczonych możliwościach fizycznych, sensorycznych lub intelektualnych oraz osoby niedysponujące stosowną wiedzą i doświadczeniem mogą używać tego urządzenia jedynie pod nadzorem innej osoby bądź po uzyskaniu od niej informacji dotyczących bezpiecznego użytkowania i wynikających z tego zagrożeń.
- Nie mogą one również czyścić i konserwować go bez nadzoru.
- Dzieci nie mogą bawić się tym urządzeniem.
- Dopilnować, by dzieci nie bawiły się tym urządzeniem.
- Urządzenie chłodnicze należy używać i przechowywać poza zasięgiem dzieci poniżej 8. roku życia.
- W urządzeniu chłodniczym nie wolno przechowywać substancji wybuchowych, np. pojemników aerozolowych z palnym gazem wyłaczającym.

**OSTROŻNIE!**

- Odłączyć urządzenia chłodnicze od zasilania prądem i gazem.
 - przed każdym czyszczeniem i konserwacją
 - po każdym użyciu
- Artykuły spożywcze mogą być przechowywane tylko w oryginalnych opakowaniach lub w odpowiednich pojemnikach.

**UWAGA!**

- W żadnym wypadku nie otwierać obiegu chłodzenia.
- Czynniki chłodzące w obiegu chłodzenia jest łatwopalny.
W razie uszkodzenia obiegu chłodzenia:
 - Unikać otwartego ognia i iskieł.
 - Dobrze wietrzyć pomieszczenie.
- Należy porównać dane dotyczące napięcia na tabliczce znamionowej z dostępnym źródłem zasilania.
- Urządzenie można podłączać wyłącznie:
 - do gniazda pokładowego prądu stałego pojazdu (np. gniazda zapalniczki) za pomocą przewodu przyłączeniowego prądu stałego
 - lub za pomocą przewodu przyłączeniowego prądu przemiennego do sieci prądu przemiennego
- Wtyczki nie wolno nigdy wyciągać z gniazdek, ciągnąc za przewód przyłączeniowy.

- Jeśli urządzenie chłodnicze jest podłączone do gniazdka prądu stałego: Przed podłączeniem do szybkiej ładowarki należy odłączyć urządzenie chłodnicze oraz inne urządzenia od akumulatora pojazdu.
- Jeśli urządzenie chłodnicze jest podłączone do gniazdka prądu stałego: Wytłaczając silnik odłączyć urządzenie lub je wyłączyć. W przeciwnym razie akumulator pojazdu może się rozładować.
- Urządzenie chłodnicze nie nadaje się do transportu substancji drażniących lub zawierających rozpuszczalniki.
- Izolacja tego urządzenia chłodniczego zawiera cyklopentan. Znajdujące się w materiale izolacyjnym gazy wymagają specjalnej procedury utylizacyjnej. Nienadające się do dalszej eksploatacji urządzenie chłodnicze należy dostarczyć do specjalistycznego zakładu utylizacyjnego.

2.2 Bezpieczeństwo podczas eksploatacji urządzenia chłodniczego



OSTROŻNIE!

- Przed użyciem należy sprawdzić, czy przewód i wtyczka są suche.
- Używać urządzenie tylko w dobrze wentylowanych pomieszczeniach.
- Używać urządzenie tylko pod nadzorem.
- Używać urządzenie chłodnicze zawsze tylko z jednym źródłem energii.



UWAGA!

- Wewnątrz urządzenia chłodniczego nie używać żadnych urządzeń elektrycznych, chyba że zostało to zalecone przez producenta.
- Nie ustawiać urządzenia w pobliżu otwartego ognia ani innych źródeł ciepła (ogrzewanie, silne promieniowanie słoneczne, piec gazowy itp.).
- **Niebezpieczeństwo przegrzania!**
Należy pamiętać, że ciepło powstające podczas eksploatacji musi być odpowiednio odprowadzane. Należy zadbać o to, aby urządzenie stało w odpowiedniej odległości od ścian lub przedmiotów, tak by możliwa była cyrkulacja powietrza.
- Uważać, aby nie zakrywać otworów wentylacyjnych. Zachować minimalne odstępny (rys. **1**, strona 3).
- Nie wypełniać wewnętrznego pojemnika cieczami lub lodem.

- Nigdy nie zanurzać urządzenia w wodzie.
- Chronić urządzenie i przewody przed gorącem i wilgocią.
- Aby czynnik chłodniczy mógł prawidłowo krążyć w układzie, kąt nachylenia urządzenia chłodniczego nie może przekraczać 3°. W tym celu ustawić urządzenie chłodnicze poziomo przy użyciu poziomicy.

2.3 Bezpieczeństwo przy korzystaniu z prądu stałego



UWAGA!

- Zasilanie prądem stałym (zasilanie z akumulatora) należy wybierać tylko wówczas, jeśli korzystają Państwo z czujnika akumulatora lub jeśli generator pojazdu zapewnia wystarczające napięcie.
- Należy zastosować przewód tylko z odpowiednim przekrojem.

2.4 Bezpieczeństwo przy korzystaniu z prądu przemiennego



UWAGA!

- Należy porównać dane dotyczące napięcia na tabliczce znamionowej z dostępnym źródłem zasilania.
- Urządzenie chłodnicze należy podłączać do sieci prądu przemiennego wyłącznie za pomocą odpowiedniego przewodu przyłączeniowego.
- Wtyczki nie wolno nigdy wyciągać z gniazdka, ciągnąc za przewód przyłączeniowy.

2.5 Bezpieczeństwo przy korzystaniu z gazu



OSTRZEŻENIE!

- Urządzenie chłodnicze w przypadku zasilania gazem można używać **wyłącznie** na wolnym powietrzu.
- Urządzenia chłodniczego zasilanego gazem nie używać
 - w pojazdach drogowych, na wodnych środkach transportu lub zamkniętych pomieszczeniach
 - na stacjach benzynowych
 - na promach
- **Niebezpieczeństwo uduszenia!**
Używanie urządzenia zasilanego gazem w niewentylowanym obszarze prowadzi do redukcji ilości tlenu na danym obszarze.

- Należy zapewnić odpowiednią wentylację pomieszczenia w trakcie używania urządzenia.
- Nie używać urządzenia na obszarach niewentylowanych, takich jak zamknięte pomieszczenia, namioty, pojazdy, kampery, przyczepy kempingowe, statki, jachty, łodzie i kabiny pojazdów ciężarowych.
- Nie stawiać urządzenia w pobliżu palnych materiałów (papier, suche liście, tekstylia).
- Łatwopalne przedmioty trzymać z dala od palnika.
- Urządzenie chłodnicze może być zasilane **wyłącznie** gazem o ciśnieniu podanym na tabliczce znamionowej. Zastosować ustawiony na stałe regulator ciśnienia z certyfikatem DIN-DVGW zgodnie z normą DIN EN 16129.
- **Nigdy** nie przechowywać butli z ciekłym gazem w niewentylowanych miejscach lub pod poziomem podłogi (stożkowe zagłębienia).
- Butle z gazem płynnym należy chronić przed nasłonecznieniem. Temperatura nie może przekraczać 50 °C.
- Nigdy nie sprawdzać szczelności urządzenia chłodniczego za pomocą otwartego ognia.
- W razie wykrycia zapachu gazu:
 - Zamknąć zawór odcinający zasilanie gazem oraz zawór butli.
 - Nie naciskać żadnych przełączników elektrycznych.
 - Zgasić wszystkie otwarte źródła ognia.
 - Zlecić kontrolę instalacji gazowej specjalistycznej firmie.



UWAGA!

- Korzystać tylko z propanu lub butanu (nie korzystać z gazu ziemnego).

3 W zestawie

Ilość	Nazwa
1	Lodówka absorbcyjna
1	Miska z pokrywą do robienia kostek lodu
1	Instrukcja obsługi

4 Użytkowanie zgodne z przeznaczeniem

Lodówka absorbcyjna nadaje się do chłodzenia produktów spożywczych.

Lodówka może być zasilana prądem stałym, prądu przemiennych lub gazem.

Urządzenie można stosować na kempingu. Nie można go wystawiać na deszcz.



OSTROŻNIE! Zagrożenie zdrowia!

Sprawdzić, czy wydajność chłodzenia urządzenia jest zgodna z wymaganiami przechowywania umieszczonych w nim produktów spożywczych.

5 Opis techniczny

To urządzenie chłodnicze jest urządzeniem przenośnym. Może ono schładzać produkty do maks. 30 °C poniżej temperatury otoczenia lub utrzymywać je w chłodzie.

To urządzenie chłodnicze w przypadku zasilana gazem można używać tylko na wolnym powietrzu.

To urządzenie chłodnicze w przypadku zasilana elektrycznego można używać w pomieszczeniach zamkniętych.

5.1 Podłączenia

Poz. na rys. 2 , strona 4	Nazwa
1	Kabel przyłączeniowy prądu przemiennego
2	Kabel przyłączeniowy prądu stałego
3	Ośłona elementów obsługowych
4	Króciec przyłączenia gazu (tylko ACX 35, ACX40)
5	Kartusz gazowy (tylko ACX40G)
6	Okienko kontroli płomienia

5.2 Elementy obsługowe

Poz. na rys. 3 , strona 5	Nazwa
1	Regulator mocy chłodzenia
2	Regulator temperatury
3	Przycisk zapłonu

Gdy urządzenie chłodnicze jest podłączone do sieci prądu przemiennego, żądana wydajność chłodzenia jest ustawiana za pomocą regulatora wydajności **(1)**:

- Aby **zwiększyć** wydajność chłodzenia, przekręcić regulator wydajności chłodzenia **(1)** zgodnie z ruchem wskazówek zegara.
W celu uzyskania maksymalnej wydajności chłodzenia przekręcić regulator wydajności chłodzenia **(1)** do końca, zgodnie z ruchem wskazówek zegara (Pozycja „7”).
- Aby **zmniejszyć** wydajność chłodzenia, przekręcić regulator wydajności chłodzenia **(1)** przeciwnie do ruchu wskazówek zegara.
- Aby wyłączyć urządzenie chłodnicze, przekręcić regulator wydajności chłodzenia **(1)** do końca przeciwnie do ruchów wskazówek zegara (Pozycja „0”).

Jeśli urządzenie jest podłączone do gniazda prądu stałego, **nie** można ustawiać wydajności chłodzenia.

Gdy urządzenie chłodnicze jest zasilane gazem, żądana wydajność chłodzenia jest ustawiana za pomocą regulatora temperatury **(2)**.

- Aby **zwiększyć** wydajność chłodzenia, przekręcić regulator temperatury **(2)** zgodnie z ruchem wskazówek zegara.
W celu uzyskania maksymalnej wydajności chłodzenia przestawić regulator temperatury **(2)** na najwyższe ustawienie.
- Aby **zmniejszyć** wydajność chłodzenia, przekręcić regulator temperatury **(2)** przeciwnie do ruchu wskazówek zegara.
- Aby wyłączyć urządzenie chłodnicze, przekręcić regulator temperatury **(2)** do końca przeciwnie do ruchów wskazówek zegara (Pozycja „0”).

6 Obsługa



OSTROŻNIE! Zagrożenie zdrowia!

Artykuły spożywcze mogą być przechowywane tylko w oryginalnych opakowaniach lub w odpowiednich pojemnikach.



UWAGA! Niebezpieczeństwo uszkodzenia!

- Należy uważać, aby w urządzeniu chłodniczym znajdowały się tylko przedmioty lub produkty, które mogą być chłodzone do wybranej temperatury.
- Należy uważać, by nie ochładzać nadmiernie napojów lub potraw w szklanych pojemnikach. Podczas zamrażania napoje i płynne potrawy zwiększają swoją objętość, co może spowodować uszkodzenie szklanych pojemników.
- Należy pamiętać, że urządzenie chłodnicze powinno mieć zapewnione dobrą wentylację pozwalającą na odprowadzenie wytwarzanego ciepła. W przeciwnym razie nie będzie zapewnione prawidłowe działanie urządzenia chłodniczego. W szczególności nie wolno zakrywać otworów wentylacyjnych.



WSKAZÓWKA

- Przed pierwszym użyciem urządzenia chłodniczego należy ze względów higienicznych wyczyścić je od wewnątrz i z zewnątrz wilgotną ściereczką (patrz również rozdz. „Czyszczenie” na stronie 224).
- Na 24 godziny przed wyruszeniem w drogę należy schłodzić urządzenie chłodnicze przez podłączenie jej do prądu lub zasilania gazowego. W ten sposób można szybciej osiągnąć żądaną wydajność chłodzenia.
- Na wydajność chłodzenia wpływa
 - temperatura otoczenia,
 - ilość konserwowanych artykułów spożywczych,
 - częstotliwość otwierania pokrywy
- Gdy chłodzenie trwa dłuższy czas, we wnętrzu urządzenia chłodniczego mogą osadzić się krople wody. Jest to normalne zjawisko, gdyż wilgoć z powietrza skrapla się, gdy temperatura w urządzeniu chłodzącym spada. Urządzenie chłodnicze nie jest uszkodzone. Krople można wytrzeć suchą ściereczką.

- Nacisnąć osłonę (rys. **2** 3, strona 4) elementów obsługowych w celu jej otwarcia.
- Nacisnąć osłonę (rys. **2** 3, strona 4) elementów obsługowych w kierunku pokrywy w celu jej zamknięcia.

6.1 Rady dotyczące oszczędzania energii

- Wybierz miejsce z dobrą wentylacją, nienarażone na promieniowanie słoneczne.
- Schłódź ciepłe potrawy przed ich włożeniem do urządzenia.
- Nie otwieraj lodówki częściej niż jest to konieczne.
- Nie zostawiaj otwartej lodówki dłużej niż to jest konieczne.

6.2 Używanie urządzenia chłodniczego z zasilaniem prądem stałym za

- Postawić urządzenie chłodnicze na stabilnym i prostym podłożu.
- Podłączyć kabel przyłączeniowy prądu stałego (rys. **2** 2, strona 4) do gniazda prądu stałego w pojeździe.
- ✓ Urządzenie chłodnicze zaczyna chłodzić komorę.
- Wyciągnąć kabel przyłączeniowy prądu stałego, aby wyłączyć urządzenia chłodnicze.

6.3 Podłączanie do gniazda zapalniczki



WSKAZÓWKA

Jeśli przenośna lodówka jest podłączona do gniazda zapalniczki pojazdu, należy pamiętać, że konieczne jest włączenie zapłonu, aby urządzenie było zasilane prądem.

6.4 Używanie lodówki z zasilaniem prądem przemiennym

- Postawić urządzenie chłodnicze na stabilnym i prostym podłożu.
- Podłączyć kabel przyłączeniowy prądu przemiennego (rys. **2** 1, strona 4) do sieci prądu przemiennego.
- Ustawić regulator wydajności chłodzenia (rys. **3** 1, strona 5) w żądanej pozycji.
- ✓ Urządzenie chłodnicze zaczyna chłodzić komorę.

6.5 Podłączanie lodówki ACX35, ACX40 do zewnętrznego zasilania gazem (DE, A, CH)



OSTRZEŻENIE!

Musi być zapewniona osobna możliwość odłączania urządzenia chłodniczego poprzez urządzenie odcinające w przewodzie gazowym. Urządzenie odcinające musi być łatwo dostępne.



UWAGA!

- Urządzenie chłodnicze może być podłączane do zasilania gazem wyłącznie przez specjalistę zgodnie z obowiązującymi przepisami i normami.
- Należy korzystać wyłącznie z butli z propanem lub butanem (nie stosować gazu ziemnego lub miejskiego) ze sprawdzonym zaworem redukcji ciśnienia i odpowiednią głowicą. Należy porównać wartość ciśnienia podaną na tabliczce znamionowej z wartością na reduktorze butli z propanem lub butanem.
- Przestrzegać dopuszczalnych w danym kraju ciśnień. Stosować dopuszczony wg DIN-DVGW reduktor ze stałymi ustawieniami.
 - Dla Niemiec obowiązuje norma: DIN EN 16129.
 - Dla Europy obowiązuje norma: EN 732, EN 521 i EN 437:2003+A1:2009.
- Urządzenie chłodnicze może być używane tylko z technicznie sprawnymi węzami. Natychmiast wymieniać porowate lub uszkodzone węże.



WSKAZÓWKA

- Zastosować regulator ciśnienia odpowiedni do ciśnienia gazu, podanego na tabliczce znamionowej.

W tym celu należy postępować w następujący sposób: (rys. **4**, strona 5):

- Postawić urządzenie chłodnicze na stabilnym i prostym podłożu.



OSTRZEŻENIE!

Stosować tylko sprawdzone węże (DIN 4815 część 2) o maksymalnej długości 1,5 m.

- ▶ Połączyć wąż (3) do króćca przyłączeniowego gazu (2) urządzenia chłodniczego.
Użyć do tego klucza widlastego (1) o rozmiarach 13 mm i 17 mm.
- ▶ Należy pamiętać, że wąż
 - nie może zostać zakleszczony lub zgięty,
 - musi znajdować się w bezpiecznej odległości od palnika
- ▶ Zdjąć nakładkę ochronną (4) ze złącza przyłączeniowego bezpieczeństwa (5) przyłącza gazu.
- ▶ Wcisnąć tuleję wtykową węża (3) w złącze przyłączeniowe bezpieczeństwa (5) aż do wyraźnego zatrzaśnięcia.
- ▶ Otworzyć zawór (6) przy złączu przyłączeniowym bezpieczeństwa (5).
- ▶ Otworzyć zawór butli gazowej lub zbiornika gazu.

**OSTRZEŻENIE!**

Szczelności nie należy sprawdzać przy otwartym ogniu lub w pobliżu źródeł zapłonu.

- ▶ Szczelność wszystkim połączeń sprawdzić za pomocą środka do wykrywania nieszczelności w sprayu.
Miejsca połączeń są szczelne, gdy nie powstają **żadne** pęcherzyki.

Odlączenie lodówki od zewnętrznego zasilania gazem

- ▶ Zamknąć zawór (6) złącza przyłączeniowego bezpieczeństwa (5) przyłącza gazu.
- ▶ Odłączyć wąż (2) przez przesunięcie tulei przesuwnej w kierunku uchwyty rozdzielczego.
- ▶ Nałożyć nakładkę ochronną (4) na złącze przyłączeniowe bezpieczeństwa (5).
- ▶ Ustawić regulator temperatury (rys. 3 2, strona 5) na pozycję „O”.

6.6 Podłączanie lodówki ACX35, ACX40 do butli z gazem

Przestrzegać następujących krajowych kategorii rodzaju i ciśnienia gazu:

Kraj	Kategorie urządzeń
Dania, Finlandia, Węgry, Norwegia, Polska, Szwecja	I ₃ B/P – 30 mbar
Belgia, Czechy, Francja, Włochy, Holandia, Portugalia, Słowacja, Hiszpania, Wielka Brytania	I ₃ + – 28 – 30 / 37 mbar
Austria, Niemcy, Luksemburg, Szwajcaria	I ₃ B/P – 50 mbar

- Podłączyć lodówkę ACX35, ACX40 do węża gazu (rys. **6**, strona 7) i do butli z gazem (rys. **7**, strona 8).



UWAGA!

- Po podłączeniu urządzenia do zasilania gazem należy sprawdzić szczelność przewodów gazowych we wszystkich miejscach połączeń (wszystkie połączenia gwintowe, połączenia węża z obejmami, połączenie z butlą gazową) za pomocą środka pianotwórczego, np. ługu mydlanego.
- Należy przeprowadzić również kontrolę wizualną węża (pod kątem szczeliny, zużycia, uszkodzenia).
- Wadliwy wąż należy natychmiast wymienić na nowy.

6.7 Podłączenia kartusza gazowego do lodówki ACX40G



OSTRZEŻENIE!

- Przestrzegać zasad obsługi i przechowywania kartuszy gazowych.
- Upewnić się, czy przyłącza kartuszy gazowych i urządzenia chłodniczego są wolne od zabrudzeń.



WSKAZÓWKA

Urządzenie chłodnicze nadaje się do pracy z samozabezpieczającymi kartuszami gazowymi typu CAMPINGAZ CP250.

- Wcisnąć kartusz gazowy od dołu w przyłącze urządzenia chłodniczego (rys. **5**, strona 6).

**OSTRZEŻENIE!**

Szczelności nie należy sprawdzać przy otwartym ogniu lub w pobliżu źródeł zapłonu.

- ▶ Szczelność wszystkim połączeń sprawdzić za pomocą środka do wykrywania nieszczelności w sprayu.
Miejsca połączeń są szczelna, gdy nie powstają **żadne** pęcherzyki.

Przed każdym przemieszczeniem urządzenia chłodniczego:

- ▶ Wyciągnąć kartusz gazowy.

6.8 Używanie lodówki z zasilaniem gazowym

- ▶ Ustawić regulator temperatury (rys. **3** 2, strona 5) na najwyższe ustawienie.
- ▶ Wcisnąć i przytrzymać wciśnięty regulator temperatury.
- ▶ Po ok. 10 sekundach nacisnąć kilka razy szybko przycisk zapłonu (rys. **3** 3, strona 5), aż zapali się płomień.
- ✓ Po udanym zapłonie w okienku kontrolnym widać płomień (rys. **2** 6, strona 4).
- ▶ Przytrzymać wciśnięty regulator temperatury przez kolejne 20 sekund.

6.9 Wyłączanie lodówki

- ▶ Zamknąć zawór gazu na urządzeniu i na butli gazowej.

6.10 Rozmrażanie lodówki



UWAGA!

Do usuwania warstw lodu i do oddzielania mocno zamrożonych artykułów od powierzchni zamrażarki nie wolno używać mechanicznych narzędzi.



WSKAZÓWKA

Z upływem czasu na żebrach chłodzących wewnątrz urządzenia chłodniczego tworzy się szron. Gdy warstwa szronu będzie miała około 3 mm grubości, należy rozmrozić urządzenie chłodnicze.

- ▶ Odłączyć dopływ napięcia i gazu.
- ▶ Opróżnić urządzenie chłodnicze.
- ▶ Do komory chłodniczej włożyć szmatkę, która wchłonie nadmiar wody.
- ▶ Pozostawić otwartą pokrywę.
- ▶ Wyrzeć szmatką komorę chłodniczą.

7 Czyszczenie



OSTRZEŻENIE!

Przed każdym czyszczeniem należy odłączyć urządzenie od sieci.



UWAGA! Niebezpieczeństwo uszkodzenia!

- Przenośnej lodówki nie wolno nigdy czyścić pod bieżącą wodą ani zamaczać w wodzie.
- Do czyszczenia nie należy używać agresywnych środków czyszczących ani twardych przedmiotów, gdyż mogą uszkodzić lodówkę.

- ▶ Obudowę należy czyścić od czasu do czasu wilgotną ściereczką od wewnątrz i na zewnątrz.
- ▶ Należy upewnić się, że otwory wentylacyjne urządzenia nie są zabrudzone ani zakurzone, aby możliwe było odprowadzanie ciepła podczas pracy urządzenia, co pozwoli uniknąć uszkodzenia urządzenia.

8 Gwarancja

Warunki gwarancji zostały opisane w Karcie Gwarancyjnej dołączonej do produktu.

W celu naprawy lub rozpatrzenia gwarancji konieczne jest przesłanie:

- kopii rachunku z datą zakupu,
- informacji o przyczynie reklamacji lub opisu wady.

9 Usuwanie usterek

Zakłócenie	Możliwa przyczyna	Proponowane rozwiązanie
Urządzenie chłodnicze nie działa.	Urządzenie chłodnicze nie zostało prawidłowo ustawione.	Sprawdzić, czy urządzenie stoi poziomo. Sprawdzić, czy zapewniona jest prawidłowa wentylacja.
	Obieg chłodzenia jest uszkodzony.	Naprawę może wykonać tylko odpowiedni zakład serwisowy.
Tryb prądu stałego: Urządzenie chłodnicze nie działa (wtyczka jest podłączona).	Brak napięcia w gnieździe samochodowym.	W większości pojazdów konieczne jest włączenie zapłonu, aby w gnieździe prądu stałego było napięcie.
	Gniazdo prądu stałego jest zabrudzone. Powoduje to nieprawidłowy styk elektryczny.	Gdy wtyczka w gnieździe prądu stałego jest zbyt ciepła, należy oczyścić gniazdo. Innym powodem może być nieprawidłowo zmontowana wtyczka.
	Bezpiecznik wtyczki prądu stałego jest przepalony.	Wymienić bezpiecznik (rys. 6 1, strona 7) wtyczki prądu stałego na równoważny bezpiecznik.
	Bezpiecznik pojazdu jest przepalony.	Wymienić bezpiecznik samochodowy gniazda prądu stałego (zwykle 15 A), uwzględniając przy tym informacje zawarte w instrukcji obsługi pojazdu.
Tryb prądu przemiennego: Urządzenie chłodnicze nie działa (wtyczka jest podłączona).	W gnieździe prądu przemiennego nie ma napięcia.	Należy spróbować podłączyć urządzenie do innego gniazda wtykowego.

Zakłócenie	Możliwa przyczyna	Proponowane rozwiązanie
Tryb gazowy: Urządzenie chłodnicze nie działa (urządzenie chłodnicze jest podłączone do gazu).	Urządzenie chłodnicze nie jest prawidłowo podłączone do gazu.	Sprawdzić, czy zapewnione jest prawidłowe zasilanie gazowe. Sprawdzić, czy zawór butli gazowej jest otwarty. Sprawdzić, czy w butli jest gaz. Sprawdzić, czy jednocześnie podłączone jest więcej niż jedno źródło zasilania. Wcisnąć na dłużej regulator temperatury do zapłonu.
Nie jest możliwe uruchomienie urządzenia chłodniczego po dłuższym okresie nieużywania.	–	Urządzenie chłodnicze bez podłączonego źródła energii ustawić do góry nogami i odczekać mniej więcej pięć minut. Następnie odwrócić urządzenie chłodnicze i ponownie je włączyć.


10 Utylizacja

- ▶ Opakowanie należy wyrzucić do odpowiedniego pojemnika na śmieci do recyklingu.



Jeżeli produkt nie będzie dłużej eksploatowany, koniecznie dowiedz się w najbliższym zakładzie recyklingu lub w specjalistycznym sklepie, jakie są aktualnie obowiązujące przepisy dotyczące utylizacji.

11 Dane techniczne

	ACX35	ACX40	ACX40G
Znamionowe obciążenie cieplne: Butan:	144 W		
Minimalne obciążenie cieplne Butan:	123 W	-	
Zasilanie:	12 V $\overline{=}$ 220 – 240 V \sim , 50/60 Hz		
Pobór mocy:	75 W	85 W	
Zakres temperatury chłodzenia:	maks. 30 °C poniżej temperatury otoczenia		
Pojemność brutto:	33 l	41 l	
Pojemność użytkowa:	31 l	40 l	
Zużycie energii:	1,4 kWh/24 h	1,6 kWh/24 h	
Klasa klimatyczna:	N		
Temperatura otoczenia:	od 16 do 32 °C		
Emisja hałasu:	0 dB		
Czynnik chłodniczy	159 g H ₂ O + 86 g NH ₃		
Wymiary (S x W x G) w mm:	patrz rys. 7 , strona 8		
Waga:	ok. 15 kg	ok. 14 kg	ok. 15 kg
Kontrola/certyfikat:			

	ACX35		ACX40	
	28 – 30 mbar, 30 mbar, 37 mbar	50 mbar	28 – 30 mbar, 30 mbar, 37 mbar	50 mbar
Nr art.:	9105204280 9105204281 9105204282 9105204290	9105204279	9105204285 9105204287 9105204286 9105204288	9105204284
Zużycie gazu:	10,5 g/h	9,9 g/h	10,5 g/h	9,9 g/h

	ACX40G
Nr art.:	9105204291 9105204289
Zużycie gazu:	10,5 g/h

Pred uvedením zariadenia do prevádzky si prosím pozorne prečítajte tento návod a odložte si ho. V prípade odovzdania zariadenia ďalšiemu používateľovi mu odovzdajte aj tento návod.

Výrobca neručí za škody, ktoré vzniknú používaním, ktoré **nie je v súlade s určeným použitím** alebo boli spôsobené **nesprávnou obsluhou**.

Obsah

1	Vysvetlenie symbolov	230
2	Bezpečnostné upozornenia	230
3	Rozsah dodávky	234
4	Používanie na stanovený účel	234
5	Technický popis	235
6	Obsluha	236
7	Čistenie a starostlivosť	243
8	Záruka	243
9	Odstraňovanie porúch	244
10	Likvidácia	245
11	Technické údaje	246

1 Vysvetlenie symbolov

**VÝSTRAHA!**

Bezpečnostný pokyn: Nerešpektovanie môže viesť k smrti alebo k ťažkému zraneniu.

**UPOZORNENIE!**

Bezpečnostný pokyn: Nerešpektovanie môže viesť k zraneniam.

**POZOR!**

Nerešpektovanie môže viesť k materiálnym škodám a môže ovplyvniť funkciu zariadenia.

**POZNÁMKA**

Doplňujúce informácie k obsluhu výrobku.

2 Bezpečnostné upozornenia

2.1 Všeobecná bezpečnosť

**VÝSTRAHA!**

- Nikdy neotvárajte absorpčný agregát. Je pod vysokým tlakom a v prípade jeho otvorenia môže spôsobiť poranenia.
- Keď má chladiace zariadenie viditeľné poškodenia, nesmiete ho uviesť do prevádzky.
- Keď je pripájací kábel tohto chladiaceho zariadenia poškodený, musí ho vymeniť výrobca, jeho oddelenie Služieb zákazníkom alebo iná kvalifikovaná osoba, aby sa predišlo ohrozeniam.
- Opravy tohto chladiaceho zariadenia smú vykonávať len kvalifikovaní odborníci. Neodbornými opravami môžu vzniknúť vážne ohrozenia.
- Toto chladiace zariadenie smú používať deti od 8 rokov a osoby so zníženými psychickými, zmyslovými alebo mentálnymi schopnosťami a vedomosťami, keď sú pod dozorom alebo keď boli poučené o bezpečnom používaní chladiaceho zariadenia a chápu, aké riziká z toho vyplývajú.
- Čistenie a bežnú údržbu nesmú deti vykonávať bez dozoru.
- Deti sa nesmú hrať s chladiacim zariadením.

- Dohliadnite na to, aby sa deti nehrali s chladiacim zariadením.
- Odkladajte a používajte chladiace zariadenie mimo dosahu detí mladších ako 8 rokov.
- V chladiacom zariadení neuskladňujte látky, pri ktorých hrozí nebezpečenstvo výbuchu, napr. sprejové nádoby s horľavým hnacím plynom.

**UPOZORNENIE!**

- Chladiace zariadenie odpojte od napájania el. energiou a prívodu plynu
 - pred každým čistením a ošetrovaním,
 - po každom použití.
- Potraviny sa smú skladovať len v originálnych baleniach alebo vhodných nádobách.

**POZOR!**

- Chladiaci okruh v žiadnom prípade neotvárajte.
- Chladiaci prostriedok v chladiacom okruhu je ľahko vznetiteľný. V prípade poškodenia chladiaceho okruhu:
 - Nepoužívajte otvorený oheň a zabráňte vzniku iskier.
 - Dobre vyvetrajte priestor.
- Porovnajete údaje o napätí na typovom štítku s existujúcim zdrojom napätia.
- Pripájajte chladiace zariadenie iba nasledovne:
 - pripájacím káblom na jednosmerný prúd palubnej zásuvky jednosmerného prúdu (napr. autozapaľovač) vo vozidle
 - alebo pripájacím káblom na striedavý prúd k sieti striedavého napätia
- Zástrčku nikdy nevyťahujte zo zásuvky za pripájací kábel.
- Keď je chladiace zariadenie pripojené k zásuvke s jednosmerným prúdom: Odpojte chladiace zariadenie a iné spotrebiče od batérie vozidla skôr, než pripojíte rýchlonačbičku.
- Keď je chladiace zariadenie pripojené k zásuvke s jednosmerným prúdom: Odpojte spojenie alebo vypnite chladiace zariadenie, keď vypínate motor. Inak sa môže vybiť batéria vozidla.
- Chladiace zariadenie nie je vhodné na prepravu žieravých látok alebo látok s obsahom rozpúšťadiel.

- Toto chladiace zariadenie obsahuje v izolácii horľavý cyklopentan. Plyny v izolačných materiáloch vyžadujú špeciálnu metódu na likvidáciu. Chladiace zariadenie na konci životnosti odovzdajte k riadnej likvidácii.

2.2 Bezpečnosť pri prevádzke chladiaceho zariadenia



UPOZORNENIE!

- Pred uvedením do prevádzky dbajte na to, aby bolo suché prírodné vedenie a konektor.
- Zariadenie prevádzkujte len na dobre vetraných miestach.
- Zariadenie prevádzkujte len pod dohľadom.
- Chladiace zariadenie používajte vždy len so zdrojom energie.



POZOR!

- Nepoužívajte v chladiacom zariadení žiadne elektrické zariadenia, okrem prípadu, keď výrobca odporúča používanie týchto zariadení takýmto spôsobom.
- Neodkladajte chladiace zariadenie do blízkosti otvoreného plameňa ani iných zdrojov tepla (vyhrievanie, silné slnečné žiarenie, plynové rúry atď.).
- **Nebezpečenstvo prehriatia!**
Dbajte na to, aby sa teplo, ktoré vzniká pri prevádzke, mohlo dostatočne odvádzať. Zabezpečte, aby sa chladiace zariadenie nachádzalo v dostatočnej vzdialenosti od stien alebo predmetov, aby bola umožnená cirkulácia vzduchu.
- Dbajte na to, aby vetracie otvory neboli zakryté. Dodržujte minimálne vzdialenosti (obr. 1, strane 3).
- Do vnútorného zásobníka neplňte žiadne kvapaliny alebo ľad.
- Nikdy neponorte chladiace zariadenie do vody.
- Chráňte chladiace zariadenie a káble pred vysokými teplotami a mokrom.
- Pre riadnu cirkuláciu chladiva nesmie byť prekročený uhol naklonenia chladiaceho zariadenia 3°. Kvôli tomu umiestnite chladiace zariadenie do vodorovnej polohy za pomoci vodováhy.

2.3 Bezpečnosť pri prevádzke na jednosmerný prúd



POZOR!

- Prevádzku na jednosmerný prúd (prevádzka na batériu) zvolte len vtedy, ak používate indikátor batérie alebo ak generátor vozidla poskytuje dostatočné napätie.
- Používajte len káble so zodpovedajúcim prierezom.

2.4 Bezpečnosť pri prevádzke na striedavý prúd



POZOR!

- Porovnajzte údaje o napätí na typovom štítku s existujúcim zdrojom napätia.
- Pripojte chladiace zariadenie pomocou príslušného pripájacieho kábla k sieti striedavého napätia.
- Konektor nikdy nevyťahujte zo zásuvky za kábel.

2.5 Bezpečnosť pri prevádzke na plyn



VÝSTRAHA!

- Chladiace zariadenie sa pri prevádzke na plyn **smie používať výlučne** na voľnom priestranstve.
- Chladiace zariadenie nikdy nepoužívajte s plynom
 - vo vozidlách na pozemnú a vodnú prepravu ani v uzavretých priestoroch
 - na čerpacích staniciach
 - počas jazdy
- **Nebezpečenstvo udusení!**
Prevádzka zariadenia s plynom v nevetranom priestore vedie k nedostatku kyslíka v tomto priestore.
- Počas prevádzky zariadenia sa postarajte o dostatočné vetranie priestoru.
- Nepoužívajte zariadenie v nevetraných priestoroch, ako sú uzavreté miestnosti, stany, motorové vozidlá, obytné vozidlá, karavany, lode, jachty, člny a kabíny nákladných vozidiel/kamiónov.
- Neumiestňujte zariadenie do blízkosti horľavých materiálov (papier, suché lístie, textilie).
- Horľavé predmety neskladujte v blízkosti horáka.

- Chladiace zariadenie sa smie prevádzkovať **výlučne** pod tlakom uvedeným na typovom štítku. Používajte pevne nastavený redukčný tlakový ventil schválený DIN-DVGW podľa DIN EN 16129.
- Fľaše so skvapalneným plynom **nikdy** neuchovávajú na nevetraných miestach alebo pod úrovňou podlahy (lievikovité priehlbne v zemi).
- Fľaše so skvapalneným plynom chráňte pred priamym slnečným žiarením. Teplota nesmie presiahnuť 50 °C.
- Nikdy nekontrolujte zariadenie na netesnosť pomocou otvoreného plameňa.
- Ak cítite zápach plynu:
 - Zatvorte uzatvárací kohútik prívodu plynu a ventil fľaše.
 - Nestláčajte žiadne elektrické spínače.
 - Zahaste otvorený plameň.
 - Nechajte plynové zariadenie skontrolovať odbornou firmou.

**POZOR!**

- Používajte len propán alebo bután (žiadny zemný plyn).

3 Rozsah dodávky

Množstvo	Označenie
1	Absorpčný chladiaci box
1	Miska s vekom na výrobu kociek ľadu
1	Návod na použitie

4 Používanie na stanovený účel

Absorpčný chladiaci box je vhodný na chladenie potravín.

Chladiaci box je možné prevádzkovať na jednosmerný prúd, striedavý prúd alebo s plynom.

Zariadenie je vhodné aj na kempovanie. Zariadenie nevystavujte dažďu.

**UPOZORNENIE! Nebezpečenstvo ohrozenia zdravia!**

Skontrolujte, či chladiaci výkon zariadenia zodpovedá požiadavkám potravín určených na chladenie.

5 Technický popis

Chladiace zariadenie je určené na mobilné použitie. Dokáže chladit' alebo udržiavať v chlade potraviny do max. 30 °C pod teplotou okolia.

Pri prevádzke na plyn sa chladiace zariadenie smie používať len na voľnom priestranstve.

Pri prevádzke na elektrickú energiu sa chladiace zariadenie smie používať aj v uzavretých priestoroch.

5.1 Pripojenia

Poz. v obr. 2 , strane 4	Označenie
1	Pripájací kábel na striedavý prúd
2	Pripájací kábel na jednosmerný prúd
3	Kryt na ovládacie prvky
4	Pripojovacie hrdlo plynu (len ACX35, ACX40)
5	Plynová kartuša (len ACX40G)
6	Plameňový priezor

5.2 Ovládacie prvky

Poz. v obr. 3 , strane 5	Označenie
1	Regulátor chladiaceho výkonu
2	Regulátor teploty
3	Zapaľovacie tlačidlo

Keď je chladiace zariadenie pripojené k sieti striedavého prúdu, požadovaný chladiaci výkon sa nastavuje pomocou regulátora chladiaceho výkonu (**1**):

- Chladiaci výkon **zvýšite** otáčaním regulátora chladiaceho výkonu (**1**) doprava (v smere chodu hodinových ručičiek).

Pre maximálny chladiaci výkon otočte regulátor chladiaceho výkonu (**1**) doprava až na doraz (poloha „7“).

- Chladiaci výkon **znížite** znížite otáčaním regulátora chladiaceho výkonu **(1)** doľava (proti smeru chodu hodinových ručičiek).
- Chladiace zariadenie vypnete otočením regulátora chladiaceho výkonu **(1)** doľava až na doraz (poloha „0“).

Keď je chladiace zariadenie pripojené k zásuvke jednosmerného prúdu, chladiaci výkon **nie je možné** nastaviť.

Keď sa chladiace zariadenie prevádzkuje na plyn, požadovaný chladiaci výkon sa nastavuje pomocou regulátora teploty **(2)**.

- Chladiaci výkon **zvýšite** otáčaním regulátor teploty **(2)** doprava (v smere chodu hodinových ručičiek).
Pre maximálny chladiaci výkon otočte regulátor teploty **(2)** na maximálne nastavenie.
- Chladiaci výkon **znížite** otáčaním regulátora teploty **(2)** doľava (proti smeru chodu hodinových ručičiek).
- Chladiace zariadenie vypnete otočením regulátora teploty **(2)** doprava až na doraz (poloha „0“).

6 Obsluha



UPOZORNENIE! Nebezpečenstvo ohrozenia zdravia!

Potraviny sa smú skladovať len v originálnych baleniach alebo vhodných nádobách.



POZOR! Nebezpečenstvo poškodenia!

- Dbajte na to, aby sa v chladiacom zariadení nachádzali len predmety, príp. tovar, ktorý sa môže chladiť na zvolenú teplotu.
- Dbajte na to, aby sa nápoje alebo jedlá v sklenených nádobách neschladili príliš silno. Pri zmrazení nápoje alebo tekuté jedlá zväčšia svoj objem. Sklenená nádoba sa tak môže zničiť.
- Dbajte na to, aby chladiace zariadenie bolo dobre odvetrávané, aby sa teplo mohlo odvádzať, v opačnom prípade nebude zaručená jeho riadna činnosť. Predovšetkým sa nesmú zakrývať vetracie otvory.

**POZNÁMKA**

- Skôr, ako nové chladiace zariadenie uvediete do prevádzky, mali by ste ho z hygienických dôvodov zvnútra a zvonku poutierať vlhkou handrou (pozri aj kap. „Čistenie a starostlivosť“ na strane 243).
- Vychladte chladiace zariadenie približne 24 hodín pred začiatkom cesty pripojením k sieti alebo prevádzkou na plyn. Vďaka tomu budete mať na mieste použitia rýchlejšie požadovaný chladiaci výkon.
- Chladiaci výkon môže byť ovplyvnený
 - teplotou okolia,
 - množstvom konzervovaných potravín,
 - frekvenciou otvárania veka.
- Pár kvapiek vody sa môže usadiť vnútri chladiaceho zariadenia, keď dlhší čas chladí. Je to normálne, pretože vlhkosť vo vzduchu kondenzuje na kvapky vody, keď sa teplota v chladničke zníži. Chladiace zariadenie nie je chybné. Utrite ho príj. suchou handrou.

- Zatlačte na kryt (obr. **2** 3, strane 4) pre ovládacie prvky, aby ste ho otvorili.
- Pre jeho zatvorenie zatlačte na kryt (obr. **2** 3, strane 4) pre ovládacie prvky v smere veka, kým nezapadne.

6.1 Tipy pre úsporu energie

- Zvoľte dobre odvetrané a pred slnečným žiarením chránené miesto osadenia.
- Teplé jedlá nechajte najprv ochladiť, pokým ich budete v zariadení udržiavať studené.
- Neotvárajte chladiace zariadenia častejšie než je to potrebné.
- Nenechávajte chladiace zariadenie otvorené dlhšie než je to potrebné.

6.2 Chladiaci box používajte v prevádzke na jednosmerný prúd

- Postavte chladiace zariadenie na pevný, rovný podklad.
- Zapojte pripájací kábel na jednosmerný prúd (obr. **2** 2, strane 4) do zásuvky s jednosmerným prúdom vo vozidle.
- ✓ Chladiace zariadenie sa spustí s chladením vnútorného priestoru.
- Chladiace zariadenie vypnete vyťahnutím pripájacieho kábla.

6.3 Pripojiť na zapalovač cigariet



POZNÁMKA

Keď pripojíte chladiace zariadenie na zapalovač cigariet vášho vozidla, majte na pamäti, že príp. musíte zapnúť zapalovanie motora, aby bolo zariadenie zásobované prúdom.

6.4 Chladiaci box používajte v prevádzke na striedavý prúd

- Postavte chladiace zariadenie na pevný, rovný podklad.
- Pripojte pripájací kábel na striedavý prúd (obr. **2** 1, strane 4) k sieti so striedavým prúdom.
- Prepnite regulátor výkonu chladenia ECO (obr. **3** 1, strane 5) do zelanej polohy.
- ✓ Chladiace zariadenie sa spustí s chladením vnútorného priestoru.

6.5 Pripojenie chladiaceho boxu ACX35, ACX40 k externému prívodu plynu (DE, A, CH)



VÝSTRAHA!

Chladiace zariadenie musí byť samostatne uzatvárateľné prostredníctvom uzatváracieho mechanizmu v plynovom potrubí. Uzatvárací mechanizmus musí byť ľahko prístupný.



POZOR!

- Pripojenie chladiaceho zariadenia k prívodu plynu smie vykonávať len odborník v súlade s platnými predpismi a normami.
- Používajte len propánové alebo butánové plynové fľaše (žiadny zemný plyn ani svietiplyn) s preskúšaným redukčným tlakovým ventilom a vhodnou hlavnicou. Porovnajte údaje o tlaku na typovom štítku s údajmi o tlaku na redukčnom tlakovom ventilu propánovej alebo butánovej plynovej fľaše.
- Dodržujte úrovne tlaku povolené vo vašej krajine. Používajte pevne nastavený redukčný tlakový ventil schválený DIN-DVGW.
 - Pre Nemecko platí: DIN EN 16129.
 - Pre Európu platí: EN 732, EN 521 a EN 437:2003+A1:2009.
- Chladiace zariadenie sa smie prevádzkovať len s technicky bezchybnými hadicovými vedeniami. Pórovité alebo poškodené hadicové vedenia okamžite vymeňte.



POZNÁMKA

- Používajte regulátor tlaku plynu podľa tlaku plynu uvedeného na typovom štítku.

Postupujte nasledovne (obr. **4**, strane 5):

- Postavte chladiace zariadenie na pevný, rovný podklad.



VÝSTRAHA!

Používajte len otestované hadicové vedenia (DIN 4815 časť 2) s maximálnou dĺžkou 1,5 m.

- Hadicové vedenie (**3**) spojte s pripojovacím hrdlom plynu (**2**) chladiaceho zariadenia.

Použite na to dva vidlicové kľúče (**1**) s veľkosťou 13 mm a 17 mm.

- Dávajte pozor, aby hadicové vedenie
 - nebolo zaseknuté alebo zalomené,
 - bolo v bezpečnej vzdialenosti od horáka.
- Stiahnite ochranný uzáver (4) z bezpečnostnej pripájacej spojky (5) plynovej prípojky.
- Zatlačte nástrčnú spojku hadicového vedenia (3) do bezpečnostnej pripájacej spojky (5), kým počuteľne nezapadne.
- Otvorte ventil (6) na bezpečnostnej pripájacej spojke (5).
- Otvorte ventil plynovej fľaše alebo plynovej nádoby.

**VÝSTRAHA!**

Nekontrolujte tesnosť nikdy pri otvorenom plameni alebo v blízkosti zápalných zdrojov.

- Preskúšajte tesnosť všetkých spojení pomocou spreja na zisťovanie netesností. Spojovacie miesta sú tesné, keď sa **netvorí** vzduchové bublinky.

Odpojenie chladiaceho boxu od externého prívodu plynu

- Zatvorte ventil (6) bezpečnostnej pripájacej spojky (5) plynovej prípojky.
- Odpojte hadicové vedenie (2) tak, že posuvnú objímku posuniete v smere úchytu armatúry.
- Nasad'te ochranný uzáver (4) na bezpečnostnú pripájajúcu spojku (5).
- Otočte regulátor teploty (obr. 3 2, strane 5) na „O“.

6.6 Pripojenie chladiaceho boxu ACX35, ACX40 k plynovej fľaši

Dodržujte nasledujúce špecifické kategórie k druhu plynu a tlaku plynu danej krajiny:

Krajina	Kategórie zariadení
Dánsko, Fínsko, Maďarsko, Nórsko, Poľsko, Švédsko	I ₃ B/P – 30 mbarov
Belgicko, Česká republika, Francúzsko, Taliansko, Holandsko, Portugalsko, Slovensko, Španielsko, Spojené kráľovstvo	I ₃ + – 28 – 30 / 37 mbarov
Rakúsko, Nemecko, Luxembursko, Švajčiarsko	I ₃ B/P – 50 mbarov

- Pripojte chladiaci box ACX35, ACX40 k plynovej hadici (obr. **6**, strane 7) a plynovej fľaši (obr. **7**, strane 8).



POZOR!

- Po pripojení zariadenia k prívodu plynu skontrolujte tesnosť plynového vedenia na všetkých spojoch (všetky skrutkové spoje, hadicové prípojky s objímkami, pripojenie k plynovej fľaši) pomocou penivého prostriedku, napr. mydlového lúhu.
- Vykonajte vizuálnu kontrolu hadice (či na nej nie sú žiadne trhliny, nevykazuje zvetranie ani poškodenie).
- Poškodenú hadicu okamžite vymeňte za novú.

6.7 Pripojenie plynovej kartuše k chladiacemu boxu ACX40G



VÝSTRAHA!

- Riadte sa pokynmi pre manipuláciu a skladovanie plynovej kartuše.
- Zabezpečte, aby prípojky plynovej kartuše a chladiaceho zariadenia neboli znečistené.



POZNÁMKA

Chladiace zariadenie je vhodné na prevádzku s plynovými kartušami s bezpečným tesniacim ventilom typu CAMPINGAZ CP250.

- Zatláčajte plynovú kartušu zdola do prípojky chladiaceho zariadenia (obr. **5**, strane 6).

**VÝSTRAHA!**

Nekontrolujte tesnosť nikdy pri otvorenom plameni alebo v blízkosti zápalných zdrojov.

- Preskúšajte tesnosť všetkých spojení pomocou spreja na zisťovanie netesností. Spojovacie miesta sú tesné, keď sa **netvorí žiadne** vzduchové bubliny.

Pred každým pohybom chladiaceho zariadenia:

- Odoberte plynovú kartušu.

6.8 Použitie chladiace boxu v prevádzke na plyn

- Otočte regulátor teploty (obr. **3** 2, strane 5) na maximálne nastavenie.
- Stlačte a podržte regulátor teploty zatlačený.
- Po cca 10 sekundách stlačte zapaľovacie tlačidlo (obr. **3** 3, strane 5) niekoľkokrát rýchlo po sebe, kým sa plameň nezapáli.
- ✓ Po úspešnom zapálení vidíte plameň v plameňovom priezore (obr. **2** 6, strane 4).
- Regulátor teploty podržte stlačený ešte 20 sekúnd.

6.9 Vypnutie chladiaceho boxu

- Zatvorte plynový ventil na zariadení a na plynovej fľaši.

6.10 Odmrazenie chladiaceho boxu

**POZOR!**

Na odstránenie vrstvy námrazy alebo uvoľnenie pevne primrznutých predmetov nepoužívajte žiadne mechanické nástroje.

**POZNÁMKA**

Časom sa na chladiacich rebrách vo vnútri chladiaceho zariadenia vytvorí srieň. Keď je vrstva sriene hrubá asi 3 mm, treba rozmraziť chladiace zariadenie.

- Prerušte prívod napätia a plynu.
- Vyprázdňte chladiace zariadenie.

- ▶ Do chladiaceho priestoru položte handričku na zachytenie nadbytočnej vody.
- ▶ Veko nechajte otvorené.
- ▶ Chladiaci priestor poutierajte dosucha s handričkou.

7 Čistenie a starostlivosť



VÝSTRAHA!

Pred každým čistením a ošetrovaním odpojte zariadenie od siete.



POZOR! Nebezpečenstvo poškodenia!

- Nikdy nečistite chladiace zariadenie pod tečúcou vodou alebo dokonca v preplachovacej vode.
- Nepoužívajte na čistenie žiadne ostré alebo tvrdé predmety, lebo tieto by mohli chladiace zariadenie poškodiť.

- ▶ Príležitostne vyčistite zariadenie zvnútra aj zvonku s vlhkou utierkou.
- ▶ Zabezpečte, aby vetracie a odzdušňovacie otvory prístroja boli bez prachu a nečistôt, aby sa teplo vznikajúce pri prevádzke mohlo odvádzať a aby sa prístroj nepoškodil.

8 Záruka

Platí zákonom stanovená záručná lehota. Ak by bol výrobok chybný, obráťte sa na pobočku vo vašej krajine (adresy pozri na zadnej strane návodu) alebo na vášho špecializovaného predajcu.

Ak žiadate o vybavenie opravy alebo nárokov vyplývajúcich zo záruky, musíte priložiť nasledovné podklady:

- kópiu faktúry s dátumom kúpy,
- dôvod reklamácie alebo opis chyby.

9 Odstraňovanie porúch

Porucha	Možná príčina	Návrh riešenia
Chladiace zariadenie nefunguje.	Chladiaci box nebol správne umiestnený.	Skontrolujte, či je zariadenie vo vodorovnej polohe. Skontrolujte, či je zabezpečené dostatočné vetranie.
	Chladiaci okruh je chybný.	Opravu môže vykonať iba autorizovaný zákaznícky servis.
Pri prevádzke na jednosmerný prúd: Chladiace zariadenie nefunguje (konektor nie je zasunutý).	Na konektore s jednosmerným prúdom vo vozidle nie je žiadne napätie.	Vo väčšine vozidiel sa musí zapnúť zapalovanie, aby mala zásuvka s jednosmerným prúdom napätie.
	Objímka konektora s jednosmerným prúdom je znečistená. To má za následok zlý elektrický kontakt.	Keď sa konektor chladiaceho boxu v zásuvke s jednosmerným prúdom veľmi zohreje, musí sa buď vyčistiť objímka zásuvky s jednosmerným prúdom alebo konektor pravdepodobne nie je správne zostavený.
	Poistka zásuvky s jednosmerným prúdom je prepálená.	Vymeňte poistku (obr. 6 1, strane 7) konektora s jednosmerným prúdom za rovnocennú poistku.
	Poistka vozidla je prepálená.	Vymeňte poistku zásuvky s jednosmerným prúdom vo vozidle (bežne 15 A) (dodržiavajte návod na použitie vášho vozidla).
Pri prevádzke na striedavý prúd: Chladiace zariadenie nefunguje (konektor nie je zasunutý).	Zásuvka so striedavým prúdom nevedie napätie.	Vyskúšajte inú zásuvku.

Porucha	Možná príčina	Návrh riešenia
Pri prevádzke na plyn: Chladiace zariadenie nefunguje (chladiace zariadenie je pripojené k plynu).	Chladiace zariadenie nie je správne pripojené k plynu.	Skontrolujte, či je zabezpečený bezchybný prívod plynu. Skontrolujte, či je ventil plynovej fľaše otvorený. Skontrolujte, či je vo fľaši ešte plyn. Skontrolujte, či je súčasne pripojených viac zdrojov energie. Pre zapálenie podržte regulátor teploty dlhšie stlačený.
Chladiace zariadenie sa po dlhšej odstavke už nespustí.	–	Otočte chladiace zariadenie bez pripojených zdrojov energie spodnou časťou nahor a počkajte približne päť minút. Chladiace zariadenie otočte znovu do pôvodnej polohy a znovu ho zapnite.

10 Likvidácia

- Obalový materiál podľa možnosti odovzdajte do príslušného odpadu na recykláciu.



Keď výrobok definitívne vyradíte z prevádzky, informujte sa v najbližšom recyklačnom stredisku alebo u vášho špecializovaného predajcu o príslušných predpisoch týkajúcich sa likvidácie.

11 Technické údaje

	ACX35	ACX40	ACX40G
Menovité tepelné zaťaženie Bután:	144 W		
Minimálne tepelné zaťaženie Bután:	123 W		–
Prípojné napätie:	12 V $\overline{=}$ 220 – 240 V \sim , 50/60 Hz		
Príkon:	75 W	85 W	
Chladiaci výkon:	max. o 30 °C nižšie ako je teplota okolia		
Hrubý objem:	33 l	41 l	
Užitočný obsah:	31 l	40 l	
Energetická spotreba:	1,4 kWh/24 h	1,6 kWh/24 h	
Klimatická trieda:	N		
Teplota prostredia:	16 až 32 °C		
Emisie hluku:	0 dB		
Chladivo	159 g H ₂ O + 86 g NH ₃		
Rozmery Rozmery (Š × V × H) v mm:	pozri obr. 7, strane 8		
Hmotnosť:	cca 15 kg	cca 14 kg	cca 15 kg
Skúška/certifikát:			

	ACX35		ACX40	
	28 – 30 mbar, 30 mbar, 37 mbar	50 mbar	28 – 30 mbar, 30 mbar, 37 mbar	50 mbar
Č. výr.:	9105204280 9105204281 9105204282 9105204290	9105204279	9105204285 9105204287 9105204286 9105204288	9105204284
Spotřeba plynu:	10,5 g/h	9,9 g/h	10,5 g/h	9,9 g/h

	ACX40G
Č. výr.:	9105204291 9105204289
Spotřeba plynu:	10,5 g/h

Před uvedením do provozu si pečlivě přečtěte tento návod k obsluze a uschovejte jej. V případě dalšího prodeje přístroje předejte návod novému uživateli.

Výrobce neručí za škody, které vzniknou **nesprávným použitím** nebo **nesprávnou obsluhou**.

Obsah

1	Vysvětlení symbolů	249
2	Bezpečnostní pokyny	249
3	Rozsah dodávky	253
4	Použití v souladu se stanoveným účelem	253
5	Technický popis	254
6	Obsluha	255
7	Čištění a péče	261
8	Záruka	262
9	Odstraňování poruch a závad	262
10	Likvidace	263
11	Technické údaje	264

1 Vysvětlení symbolů

**VÝSTRAHA!**

Bezpečnostní pokyny: Následkem nedodržení pokynů mohou být smrtelná nebo vážná zranění.

**UPOZORNĚNÍ!**

Bezpečnostní pokyny: Následkem nedodržení mohou být úrazy.

**POZOR!**

Nedodržení pokynů může mít za následek hmotné škody a narušení funkce výrobku.

**POZNÁMKA**

Doplňující informace týkající se obsluhy výrobku.

2 Bezpečnostní pokyny

2.1 Obecná bezpečnost

**VÝSTRAHA!**

- Nikdy neotevírejte absorpční agregát. Je pod vysokým tlakem a může v případě otevření způsobit zranění.
- V případě, že je lednička viditelně poškozena, nesmíte ji používat.
- Pokud je přívodní kabel ledničky poškozen, musíte jej nechat vyměnit výrobcem, jeho servisním centrem nebo jinou kvalifikovanou osobou tak, aby nemohlo dojít k žádnému ohrožení.
- Opravy ledničky smějí provádět pouze odborníci. Nesprávně provedené opravy mohou být zdrojem značných rizik.
- Ledničku mohou používat děti od 8 let a osoby se sníženými fyzickými, smyslovými nebo duševními schopnostmi, nebo osoby s nedostatkem zkušeností a znalostí, pokud budou pod dozorem, nebo pokud byly poučeny o bezpečném použití ledničky a rozumějí nebezpečím, která z použití výrobku vyplývají.
- Čištění a běžnou údržbu nesmějí provádět děti bez dozoru.
- Nenechávejte děti, aby si s ledničkou hrály.

- Děti musejí být pod dohledem tak, aby si s ledničkou nehrály.
- Ledničku používejte a skladujte mimo dosah dětí mladších 8 let.
- Neskladujte v ledničce výbušné látky, jako např. spreje s hnacím plynem.



UPOZORNĚNÍ!

- Ledničku odpojte od napájení a přívodu plynu
 - před každým čištěním a údržbou
 - po každém použití
- Skladujte potraviny pouze v originálním balení nebo ve vhodných nádobách.



POZOR!

- Nikdy neotevírejte chladicí okruh.
- Chladivo v chladicím okruhu je vysoce hořlavé.
Při poškození chladicího okruhu:
 - Pozor na otevřený oheň a jiskření.
 - Dobře větrejte místnost.
- Porovnejte údaj o napětí na typovém štítku s dostupným zdrojem napájení.
- Připojte ledničku pouze následujícím způsobem:
 - Přívodním kabelem na stejnosměrný proud k palubní zásuvce stejnosměrného proudu (např. zapalovač cigaret) ve vozidle
 - Nebo stejnosměrným přívodním kabelem k síti střídavého proudu
- Nikdy nevytahujte zástrčku ze zásuvky tahem za přívodní kabel.
- Pokud je lednička připojena k zásuvce stejnosměrného proudu: Odpojte ledničku a jiné spotřebiče od baterie vozidla ještě před připojením rychlonabíjecího zařízení.
- Pokud je lednička připojena k zásuvce stejnosměrného proudu: Po vypnutí motoru přerušte spojení nebo vypněte ledničku. V opačném případě může dojít k vybití baterie vozidla.
- Lednička není vhodná k přepravě leptavých látek nebo látek obsahujících rozpouštědla.
- V izolaci této ledničky je hořlavý cyklopentan. Plyny v izolačním materiálu vyžadují speciální metodu likvidace. Po ukončení životnosti ledničku odevzdejte k řádné likvidaci.

2.2 Bezpečnost za provozu ledničky



UPOZORNĚNÍ!

- Před uvedením do provozu zkontrolujte, zda jsou přívodní kabel a zástrčka suché.
- Příkladový provozujte pouze na dobře větraných místech.
- Příkladový za provozu nikdy nenechávejte bez dohledu.
- Ledničku vždy provozujte pouze se zdrojem energie.



POZOR!

- Uvnitř ledničky nepoužívejte žádné elektrické přístroje, pouze pokud jsou k tomu doporučeny výrobcem.
- Neinstalujte ledničku v blízkosti otevřeného ohně nebo jiných tepelných zdrojů (topení, přímé sluneční záření, plynová kamna apod.).
- **Nebezpečí přehřátí!**
Vždy dbejte, aby bylo teplo vznikající za provozu zařízení dostatečně odváděno. Zajistěte, aby byla lednička postavena v dostatečné vzdálenosti od stěn nebo předmětů tak, aby mohl vzduch cirkulovat.
- Pamatujte, že nesmějí být zakryty větrací otvory. Dodržte minimální vzdálenosti (obr. 1, strana 3).
- Do vnitřní nádoby nelijte žádné kapaliny ani do ní nedávejte led.
- Nikdy neponořujte ledničku do vody.
- Chraňte ledničku a kabel před horkem a vlhkem.
- K řádné cirkulaci chladiva nesmí stát lednička se sklonem pod úhlem větším než 3°. K tomu účelu nastavte ledničku vodorovně pomocí vodováhy.

2.3 Bezpečnost při provozu na stejnosměrný proud



POZOR!

- Provoz na stejnosměrný proud (provoz na baterii) vyberte pouze za předpokladu, že používáte snímač baterie, nebo pokud generátor vozidla dodává dostatečné napětí.
- Používejte pouze kabel o odpovídajícím průřezu.

2.4 Bezpečnost při provozu na střídavý proud



POZOR!

- Porovnejte údaj o napětí na typovém štítku s dostupným zdrojem napájení.
- Pro připojení ledničky k síti se střídavým proudem používejte pouze příslušný přívodní kabel.
- Nikdy nevytahujte zástrčku ze zásuvky tahem za přívodní kabel.

2.5 Bezpečnost při provozu na plyn



VÝSTRAHA!

- Lednička se při provozu na plyn může používat **výlučně** ve venkovním prostoru.
- Ledničku nikdy neprovozujte na plyn
 - v silničních vozidlech, plavidlech nebo uzavřených prostorech
 - na čerpacích stanicích
 - na trajektech
- **Nebezpečí udušení!**
Provoz přístroje s plynem v nevětraném prostoru vede k nedostatku kyslíku v tomto prostoru.
- Během provozu přístroje se ujistěte, že prostor je dostatečně větrán.
- Přístroj nepoužívejte v nevětraných prostorech, např. uzavřené místnosti, stany, motorová vozidla, obytné vozy, obytné přívěsy, plavidla, jachty, čluny a kabiny nákladních vozidel.
- Přístroj neumísťujte do blízkosti hořlavých materiálů (papíru, suchého listí, textilu).
- Hořlavé předměty udržujte v bezpečné vzdálenosti od hořáků.
- Ledničku používejte **výhradně** pod tlakem uvedeným na typovém štítku. Používejte pevně instalovaný tlakový regulátor homologovaný podle DIN-DVGW v souladu s DIN EN 16129.
- **Nikdy** neskladujte láhve se zkapalněným plynem na nevětraných místech nebo pod úrovní podlahy (nálevkovité vybraní v podlaže).
- Chraňte láhve se zkapalněným plynem před přímým slunečním zářením. Teplota nesmí překročit 50 °C.
- Nikdy nekontrolujte netěsnosti ledničky otevřeným plamenem.

- Pokud cítíte plyn:
 - Uzavřete uzavírací kohout přívodu plynu a ventil láhve.
 - Neaktivujte žádné elektrické spínače.
 - Uhasťte otevřené plameny.
 - Plynovou instalaci nechejte zkontrolovat odbornou firmou.

**POZOR!**

- Používejte pouze propan nebo butan (nikdy zemní plyn).

3 Rozsah dodávky

Množství	Název
1	Chladicí box absorbéru
1	Miska s víčkem k výrobě kostek ledu
1	Návod k obsluze

4 Použití v souladu se stanoveným účelem

Chladicí box absorbéru je vhodný k chlazení potravin.

Chladicí box lze provozovat na stejnosměrný, střídavý proud nebo plyn.

Přístroj je vhodný také ke kempování. Výrobek nesmíte vystavit dešti.

**UPOZORNĚNÍ! Nebezpečí ohrožení zdraví!**

Zkontrolujte, zda chladicí výkon přístroje odpovídá požadavkům potravin, které chcete chladit.

5 Technický popis

Lednička je vhodná k mobilnímu využití. Je určena k chlazení výrobků na teplotu max. o 30 °C nižší, než je okolní teplota, nebo k udržování výrobků v chladu.

Lednička se v provozu na plyn smí používat pouze ve venkovním prostoru.

Ledničku lze při provozu na elektřinu používat i v uzavřených místnostech.

5.1 Přípojky

Poz. na obr. 2 , strana 4	Název
1	Přívodní kabel pro střídavý proud
2	Stejnoseměrný přívodní kabel
3	Kryt na ovládací prvky
4	Připojovací hrdlo plynu (pouze ACX35, ACX40)
5	Plynová kartuše (pouze ACX40G)
6	Průhledítko pro kontrolu plamene

5.2 Ovládací prvky

Poz. na obr. 3 , strana 5	Název
1	Regulátor chladicího výkonu
2	Regulátor teploty
3	Zapalovací tlačítko

Pokud je lednička připojena k síti na střídavý proud, požadovaný chladicí výkon se nastaví regulátorem chladicího výkonu (**1**):

- ▶ Ke **zvýšení** chladicího výkonu otáčejte regulátor chladicího výkonu (**1**) ve směru hodinových ručiček.
K dosažení maximálního chladicího výkonu otáčejte regulátor chladicího výkonu (**1**) až na doraz ve směru hodinových ručiček (poloha „7“).
- ▶ Ke **snížení** chladicího výkonu otáčejte regulátor chladicího výkonu (**1**) proti směru hodinových ručiček.

- ▶ K vypnutí ledničky otáčejte regulátor chladicího výkonu **(1)** až na doraz proti směru hodinových ručiček (poloha „0“).

Pokud je lednička připojena k zásuvce stejnosměrného proudu, **nelze** nastavovat chladicí výkon.

Pokud je lednička provozována na plyn, požadovaný chladicí výkon se nastaví regulátorem teploty **(2)**.

- ▶ Ke **zvýšení** chladicího výkonu otáčejte regulátor teploty **(2)** ve směru hodinových ručiček.
Pro maximální chladicí výkon otočte regulátor teploty **(2)** na nejvyšší nastavení.
- ▶ Ke **snížení** chladicího výkonu otáčejte regulátor chladicího výkonu **(2)** proti směru hodinových ručiček.
- ▶ K vypnutí ledničky otáčejte regulátor teploty **(2)** až na doraz ve směru hodinových ručiček (poloha „0“).

6 Obsluha



UPOZORNĚNÍ! Nebezpečí ohrožení zdraví!

Skladujte potraviny pouze v originálním balení nebo ve vhodných nádobách.



POZOR! Nebezpečí poškození!

- Dbejte, aby byly v ledničce skladovány pouze předměty nebo potraviny, které je dovoleno chladit na nastavenou teplotu.
- Nechladte nápoje nebo pokrmy ve skleněných nádobách na příliš nízkou teplotu. Při zmrznutí zvětšují nápoje nebo tekuté potraviny svůj objem. Následkem může být poškození nebo zničení skleněných nádob.
- Pamatujte, že stejně jako u každé jiné ledničky musí být zajištěno dobré odvětrávání, které umožňuje dostatečné odvádění vznikajícího tepla. V opačném případě není zajištěna řádná funkce přístroje. Především pak nesmějí být zakrývány větrací otvory.



POZNÁMKA

- Dříve než uvedete novou ledničku do provozu, musíte ji z hygienických důvodů očistit vlhkou utěrkou jak zevnitř, tak zvenčí (viz též kap. „Čištění a péče“ na strani 261).
- Před začátkem cesty nechejte ledničku po dobu asi 24 hodin připojenou k elektrické síti či plynu, aby se vychladil. Na místě určení tak dosáhnete rychleji požadovaného chladicího výkonu.
- Chladicí výkon mohou ovlivňovat tyto faktory:
 - teplota okolního prostředí
 - množství skladovaných potravin
 - četnost otevírání víka
- Při delším použití ledničky se mohou uvnitř výrobku vytvářet kapky vody. Je to obvyklý jev, protože vlhkost ve vzduchu kondenzuje a sráží se s klesající teplotou v ledničce. Lednička tedy není vadná. Případně ledničku vytřete suchou utěrkou.

- Zatláče na kryt (obr. **2** 3, strana 4) ovládacích prvků, abyste jej otevřeli.
- Zatláče na kryt (obr. **2** 3, strana 4) pro ovládací prvky ve směru víka, aby se zajistil, a tím jej zavřete.

6.1 Tipy k úspoře energie

- K používání vyberte dobře větrané místo chráněné před slunečním zářením.
- Teplé pokrmy nechejte před uložením do chladničky vychladnout.
- Neotevírejte chladničku častěji, než je nezbytně nutné.
- Nenechávejte chladničku otevřenou déle, než je nezbytně nutné.

6.2 Použití chladicího boxu v režimu stejnosměrného proudu

- Umístěte ledničku na pevnou, rovnou podložku.
- Připojte stejnosměrný přívodní kabel (obr. **2** 2, strana 4) k zásuvce stejnosměrného proudu ve vozidle.
- ✓ Lednička zahájí chlazení vnitřního prostoru.
- Odpojením přívodního kabelu stejnosměrného proudu ledničku vypnete.

6.3 Připojení do autozapalovače



POZNÁMKA

Pokud připojíte chladničku do autozapalovače pamatujte, že možná budete muset zapnout zapalování vozidla, aby bylo zahájeno napájení přístroje.

6.4 Použití chladicího boxu v režimu střídavého proudu

- ▶ Umístěte ledničku na pevnou, rovnou podložku.
- ▶ Připojte přívodní kabel na střídavý proud (obr. **2** 1, strana 4) k síti střídavého proudu.
- ▶ Přepněte regulátor výkonu chlazení (obr. **3** 1, strana 5) do požadované polohy.
- ✓ Lednička zahájí chlazení vnitřního prostoru.

6.5 Chladicí box ACX35, ACX40 připojte k externímu přívodu plynu (DE, A, CH)



VÝSTRAHA!

Ledničku musí být možné samostatně odpojit pomocí odpojovacího zařízení v plynovém vedení. Odpojovací zařízení musí být snadno přístupné.



POZOR!

- Ledničku smí připojit k přívodu plynu pouze odborník v souladu s platnými předpisy a normami.
- Používejte pouze propanové nebo butanové láhve (ne zemní plyn ani svítiplyn) se zkontrolovaným tlakovým redukčním ventilem a vhodnou hlavicí. Porovnejte údaj o tlaku na typovém štítku s údajem o tlaku na regulátoru tlaku láhve s propanem nebo butanem.
- Dodržujte tlaky předepsané ve vaší zemi. Používejte pevně instalovaný tlakový regulátor homologovaný podle DIN-DVGW:
 - Pro Německo platí: DIN EN 16129.
 - Pro Evropu platí: EN 732, EN 521 a EN 437:2003+A1:2009.
- Lednička se smí provozovat pouze s technicky bezvadnými hadicemi. Pórovité či poškozené hadice ihned vyměňte.

**POZNÁMKA**

- Regulátor tlaku plynu používejte v souladu s tlakem plynu, který je uveden na typovém štítku.

Postupujte takto (obr. **4**, strana 5):

- Umístěte ledničku na pevnou, rovnou podložku.

**VÝSTRAHA!**

Používejte pouze ověřené plynové hadice (DIN 4815 část 2) o maximální délce 1,5 m.

- Hadici (**3**) spojte s přípojovacím hrdlem plynu (**2**) ledničky. K tomu použijte dva stranové klíče (**1**) o velikosti 13 a 17.
- Dbejte na to, aby hadice
 - nebyla přivřená nebo zalomená,
 - byla v bezpečné vzdálenosti od hořáku
- Stáhněte ochranné víčko (**4**) z bezpečnostní přípojovací spojky (**5**) plynové přípojky.
- Zatlačte nástrčnou objímku hadice (**3**) do bezpečnostní přípojovací spojky (**5**), aby slyšitelně zacvakla.
- Otevřete ventil (**6**) na bezpečnostní přípojovací spojce (**5**).
- Otevřete ventil plynové láhve nebo plynového zásobníku.

**VÝSTRAHA!**

Nikdy nekontrolujte těsnost u otevřeného plamene nebo v blízkosti jiných zdrojů vznícení.

- Zkontrolujte těsnost všech spojů pomocí spreje k vyhledávání netěsností. Spojovací místa jsou těsná, pokud se netvoří **žádné** bublinky.

Odpojení chladicího boxu od externího přívodu plynu

- Připojte ventil (**6**) bezpečnostní přípojovací spojky (**5**) plynové přípojky.
- Odpojte hadici (**2**) posunutím posuvného pouzdra ve směru rukojeti armatury.
- Ochranné víčko (**4**) nasuňte na bezpečnostní přípojovací spojku (**5**).
- Přepněte regulátor teploty (obr. **3** 2, strana 5) do polohy „O“.

6.6 Připojení chladicího boxu ACX35, ACX40 k plynové láhvi

Dbejte následujících kategorií druhů a tlaku plynu podle konkrétní země:

Země	Kategorie přístroje
Dánsko, Finsko, Maďarsko, Norsko, Polsko, Švédsko	I ₃ B/P – 30 mbar
Belgie, Česká republika, Francie, Itálie, Nizozemsko, Portugalsko, Slovensko, Španělsko, Velká Británie	I ₃ + – 28 – 30 / 37 mbar
Rakousko, Německo, Lucembursko, Švýcarsko	I ₃ B/P – 50 mbar

- Chladicí box ACX35, ACX40 připojte k plynové hadici (obr. **6**, strana 7) a plynové láhvi (obr. **7**, strana 8).



POZOR!

- Po připojení přístroje k přívodu plynu zkontrolujte těsnost plynového potrubí pěnivým prostředkem, např. mýdlovým roztokem, na všech spojovacích místech (všechny závitové spoje, hadicové přípojky se sponami, spojení s plynovou lahví).
- Proveďte také vizuální kontrolu hadice (zda nejsou přítomny trhliny, zvětření a poškození).
- Vadnou hadici ihned vyměňte za novou.

6.7 Připojení plynové kartuše k chladicímu boxu ACX40G



VÝSTRAHA!

- Dbejte na pokyny k zacházení s plynovou kartuší a jejímu skladování.
- Ujistěte se, že přípojky plynové kartuše a ledničky neobsahují nečistoty.



POZNÁMKA

Lednička je vhodná k provozu se samojistnými plynovými kartušemi typu CAMPINGGAZ CP250.

- Stlačte plynovou kartuši zespedu do přípojky ledničky (obr. **5**, strana 6).



VÝSTRAHA!

Nikdy nekontrolujte těsnost u otevřeného plamene nebo v blízkosti jiných zdrojů vznícení.

- Zkontrolujte těsnost všech spojů pomocí spreje k vyhledávání netěsností. Spojovací místa jsou těsná, když se netvoří **žádné** bublinky.

Před každým přemístěním ledničky:

- Vyjměte plynovou kartuši.

6.8 Použití chladicího boxu v režimu plynu

- Přepněte regulátor teploty (obr. **3** 2, strana 5) do nejvyšší polohy.
- Stiskněte a podržte stisknutý regulátor teploty.
- Stiskněte asi po 10 sekundách zapalovací tlačítko (obr. **3** 3, strana 5) několikrát rychle po sobě, až se zapálí plamen.
- ✓ Po úspěšném zapálení je plamen viditelný v průhledítce pro kontrolu plamene (obr. **2** 6, strana 4).
- Stiskněte a podržte regulátor teploty stisknutý na dalších 20 sekund.

6.9 Vypnutí chladicího boxu

- Otočte plynový ventil na přístroji a plynové láhvi.

6.10 Odmrazování chladicího boxu



POZOR!

K odstraňování ledu nebo k uvolňování přimrzlých předmětů nepoužívejte mechanické nástroje.



POZNÁMKA

Postupem času se na chladicích žebrech uvnitř ledničky tvoří námraza. Pokud je tato vrstva námrazy silná asi 3 mm, měli byste ledničku odmrazit.

- ▶ Přerušete přívod elektrické energie a plynu.
- ▶ Vyprázdněte ledničku.
- ▶ Do chladicího prostoru vložte utěrku, aby se do ní nasákla přebytečná voda.
- ▶ Nechejte víko otevřené.
- ▶ Chladicí prostor vytřete utěrkou.

7 Čištění a péče



VÝSTRAHA!

Před zahájením jakéhokoliv čištění nebo údržby odpojte výrobek od sítě.



POZOR! Nebezpečí poškození!

- Nikdy neumývejte chladničku pod tekoucí vodou nebo ve ve vodě s prostředkem na mytí nádobí.
- Nepoužívejte k čištění ostré čisticí prostředky nebo tvrdé předměty, může dojít k poškození chladničky.

- ▶ Příležitostně očistěte přístroj zevnitř a zvenčí vlhkým hadrem.
- ▶ Zajistěte, aby nebyly větrací a odvzdušňovací otvory přístroje zaprášené a znečištěné. Tím může být teplo vznikající za provozu odváděno a nedojde k poškození přístroje.

8 Záruka

Na výrobek je poskytována záruka v souladu s platnými zákony. Zjistíte-li, že je výrobek vadný, zašlete jej do pobočky výrobce ve vaší zemi (adresy viz zadní strana tohoto návodu) nebo do specializovanému prodejci.

K vyřízení opravy nebo záruky nezapomeňte odeslat následující dokumenty:

- Kopii účtenky s datem zakoupení,
- Uvedení důvodu reklamace nebo popis vady.

9 Odstraňování poruch a závad

Problém	Možná příčina	Návrh řešení
Lednička nefunguje.	Chladicí box není správně postaven.	Zkontrolujte, zda přístroj stojí vodorovně. Zkontrolujte, zda je zajištěno dostatečné větrání.
	Chladicí okruh je vadný.	Opravu smí provést pouze certifikovaná provozovna zákaznického servisu.
Při provozu na stejnosměrný proud: Lednička nefunguje (zástrčka je zapojena v zásuvce).	Zásuvka se stejnosměrným napětím ve vašem vozidle není pod napětím.	Ve většině automobilů musíte nejprve spustit zapalování, aby byla zásuvka se stejnosměrným proudem pod napětím.
	Objímka zásuvky stejnosměrného napětí je znečištěná. Následkem je špatný elektrický kontakt.	Pokud je zástrčka v zásuvce stejnosměrného napájení velmi horká, buď očistěte objímku nebo zkontrolujte, zda je zástrčka správně namontována.
	Pojistka zástrčky stejnosměrného napájení je propálená.	Vyměňte pojistku (obr. 6 1, strana 7) zástrčky stejnosměrného napájení za novou o stejné hodnotě.
	Pojistky automobilu jsou spálené.	Vyměňte pojistku zásuvky stejnosměrného napájení (obvykle 15 A, viz návod k obsluze vašeho vozidla).

Problém	Možná příčina	Návrh řešení
Při provozu na střídavý proud: Lednička nefunguje (zástrčka je zapojena v zásuvce).	V zásuvce se střídavým proudem není napětí.	Zkuste to na jiné zásuvce.
Při provozu na plyn: Lednička nefunguje (lednička je připojena k plynu).	Lednička není správně připojena k plynu.	Zkontrolujte, zda je zajištěn bezporuchový přívod plynu. Zkontrolujte, zda je ventil plynové láhve otevřený. Zkontrolujte, zda se ještě v láhvi nachází plyn. Zkontrolujte, zda není přístroj připojen současně k více zdrojům energie. Při zapalování podržte regulátor teploty k zapálení déle stisknutý.
Ledničku se už po delším odstavení nedaří uvést do provozu.		Postavte ledničku bez připojených zdrojů energie na její horní část a počkejte asi pět minut. Poté ledničku otočte zpět a znovu ji zapněte.

10 Likvidace

- Obalový materiál likvidujte v odpadu určeném k recyklaci.



Jakmile výrobek zcela vyřadíte z provozu, informujte se v příslušných recyklačních centrech nebo u specializovaného prodejce o příslušných předpisech o likvidaci odpadu.

11 Technické údaje

	ACX35	ACX40	ACX40G
Jmenovité tepelné zatížení: butan:	144 W		
Minimální tepelné zatížení: butan:	123 W		–
Napájecí napětí:	12 V $\overline{=}$ 220–240 V \sim , 50/60 Hz		
Příkon:	75 W	85 W	
Chladicí výkon:	max. o 30 °C níže než okolní teplota		
Obsah brutto:	33 l	41 l	
Užitečný obsah:	31 l	40 l	
Spotřeba energie:	1,4 kWh/24 hod.	1,6 kWh/24 hod.	
Klimatická třída:	N		
Okolní teplota:	16 až 32 °C		
Hlukové emise:	0 dB		
Chladivo	159 g H ₂ O + 86 g NH ₃		
Rozměry (Š x V x H) v mm:	viz obr. 7 , strana 8		
Hmotnost:	cca 15 kg	cca 14 kg	cca 15 kg
Zkouška/certifikát:			

	ACX35		ACX40	
	28 – 30 mbar, 30 mbar, 37 mbar	50 mbar	28 – 30 mbar, 30 mbar, 37 mbar	50 mbar
Výr. č.:	9105204280 9105204281 9105204282 9105204290	9105204279	9105204285 9105204287 9105204286 9105204288	9105204284
Spotřeba plynu:	10,5 g/h	9,9 g/h	10,5 g/h	9,9 g/h

	ACX40G
Výr. č.:	9105204291 9105204289
Spotřeba plynu:	10,5 g/h

A készülék első használata előtt gondosan olvassa el és őrizze meg ezt a használati utasítást. Ha a készüléket továbbadja, mellékelje hozzá a használati utasítást is.

A gyártó nem felelős olyan károkért vagy sérülésekért, amelyeket **nem rendeltetésszerű használat** vagy **hibás kezelés** okozott.

Tartalomjegyzék

1	Szimbólumok magyarázata	267
2	Biztonsági tudnivalók	267
3	A csomag tartalma	271
4	Rendeltetésszerű használat	271
5	Műszaki leírás	272
6	Kezelés	273
7	Tisztítás és ápolás	279
8	Szavatosság	280
9	Üzemzavar-elhárítás	280
10	Ártalmatlanítás	281
11	Műszaki adatok	282

1 Szimbólumok magyarázata

**FIGYELMEZTETÉS!**

Biztonsági tudnivaló: Az utasítás figyelmen kívül hagyása halált vagy súlyos sérülést okozhat.

**VIGYÁZAT!**

Biztonsági tudnivaló: Az utasítás figyelmen kívül hagyása sérüléseket okozhat.

**FIGYELEM!**

Ha nem veszi figyelembe az információt, az anyagkárosodást eredményezhet, és káros kihatással lehet a termék működésére.

**MEGJEGYZÉS**

Kiegészítő információk a termék kezelésével kapcsolatosan.

2 Biztonsági tudnivalók

2.1 Általános biztonság

**FIGYELMEZTETÉS!**

- Az abszorpciós aggregátot tilos felnyitni. Nagy nyomás uralkodik benne és felnyitáskor sérüléseket okozhat.
- Ne használja a hűtőkészüléket, ha az láthatóan megsérült.
- Ha a hűtőkészülék csatlakozókábele megsérül, akkor azt – a veszélyeztetések elkerülése érdekében – a gyártóval, a vevőszolgálattal vagy egy hasonlóan képzett szakemberrel kell kicseréltetni.
- A hűtőkészüléken csak szakember végezhet javításokat. Nem szakszerű javítások jelentős veszélyeket okozhatnak.
- A hűtőkészüléket 8 év feletti gyermekek, valamint korlátozott fizikai, érzékelési és mentális képességű, illetve megfelelő tapasztalattal és tudással nem rendelkező személyek csak felügyelet mellett, illetve a hűtőkészülék biztonságos használatát és az abból eredő veszélyeket megértve használhatják.
- A tisztítást és a felhasználói karbantartást gyermekek felügyelet nélkül nem végezhetik.

- A hűtőkészülékkel gyermekek nem játszhatnak.
- A gyermekekre figyelni kell, hogy a hűtőkészülékkel ne játszanak.
- A hűtőkészüléket 8 év alatti gyermekek által nem hozzáférhető módon tárolja és használja.
- Ne tároljon a hűtőkészülékben robbanásveszélyes anyagokat, például gyúlékony hajtógázt tartalmazó spray-palackokat.

**VIGYÁZAT!**

- Válassza le a hűtőkészüléket az áram-, és gázellátásról
 - minden tisztítás és karbantartás előtt
 - minden használat után
- Élelmiszert csak eredeti csomagolásban vagy megfelelő tárolókban szabad tárolni.

**FIGYELEM!**

- Semmilyen esetben ne nyissa ki a hűtőkört.
- A hűtőkörben található hűtőközeg gyúlékony.
A hűtőkör sérülése esetén:
 - Kerülje a nyílt lángot és a gyújtószikrákat.
 - Szellőztesse ki jól a helyiséget.
- Hasonlítsa össze a feszültségadatokat a típustáblán a rendelkezésre álló energiaellátással.
- A hűtőkészüléket a következő módon csatlakoztassa:
 - Az egyenáramú csatlakozókábelrel a jármű egyenáramú fedélzeti aljzatához (pl. szivargyújtóhoz)
 - vagy a váltakozó áramú csatlakozókábelrel a váltakozó áramú hálózathoz
- Soha ne húzza ki a csatlakozódugót a csatlakozókábelnél fogva az aljzataból.
- Ha a hűtőkészülék az egyenáramú aljzathoz van csatlakoztatva: Mielőtt gyorstöltő berendezést csatlakoztatja, válassza le a hűtőkészüléket és más fogyasztókat a járműakkumulátorról.
- Ha a hűtőkészülék az egyenáramú aljzathoz van csatlakoztatva: Húzza ki a csatlakozódugót vagy kapcsolja ki a hűtőkészüléket, ha a jármű motorját kikapcsolja. Ellenkező esetben a járműakkumulátor lemerülhet.
- A hűtőkészülék nem alkalmas maró hatású vagy oldószert tartalmazó anyagok szállítására.

- A hűtőegység szigetelése gyúlékony ciklopentánt tartalmaz. A szigetelőanyagban található gázok miatt különleges ártalmatlanítási eljárásra van szükség. A hűtőegységet az élettartama végén a szabályozásoknak megfelelően ártalmatlaníttassa.

2.2 Biztonság a hűtőkészülék üzemeltetése során



VIGYÁZAT!

- Üzembe helyezés előtt ügyeljen arra, hogy a vezeték és a dugasz száraz legyen.
- A készüléket csak jól szellőző helyeken üzemeltesse.
- A készüléket csak felügyelet mellett üzemeltesse.
- A hűtőkészüléket csak egy energiaforrásról üzemeltesse.



FIGYELEM!

- Ne használjon elektromos készülékeket a hűtőkészülék belsejében, kivéve, ha ezeket az elektromos készülékeket a gyártó erre a célra javasolja.
- Ne helyezze a hűtőkészüléket nyílt láng vagy más hőforrás (fűtés, erős napsugárzás, gázkályha stb.) közelébe.
- **Túlmelegedés miatti veszély!**
Mindig ügyeljen arra, hogy az üzemeltetés során keletkező hő kielégítően eltávozhasson. A levegő keringése érdekében gondoskodjon arról, hogy a hűtőkészülék kielégítő távolságban álljon a faltól vagy tárgytól.
- Ügyeljen arra, hogy a szellőzőnyílások ne legyenek lefedve. Tartsa be a minimális távolságokat (**1**. ábra, 3. oldal).
- Ne töltsön folyadékot vagy jeget a belső tartályba.
- Soha ne merítse vízbe a hűtőkészüléket.
- Védje a hűtőkészüléket és a kábeleket a hőtől és a nedvességtől.
- A hűtőközeg megfelelő keringetése érdekében a hűtőkészülék dőlésszöge nem lépheti túl a 3°-ot. Ehhez egy vízszintmérő segítségével állítsa vízszintes helyzetbe a hűtőkészüléket.

2.3 Biztonság egyenáramú üzem során



FIGYELEM!

- Az egyenáramú üzemet (akkumulátorról történő üzem) csak akkor válassa, ha akkumulátorfelügyelőt használ vagy a jármű áramgenerátora kellő feszültséget biztosít.
- Csak megfelelő keresztmetszetű kábelt szabad használni.

2.4 Biztonság váltakozó áramú üzem során



FIGYELEM!

- Hasonlítsa össze a feszültségadatokat a típustáblán a rendelkezésre álló energiaellátással.
- A hűtőkészülék a mellékelt csatlakozókábellel csatlakoztassa a váltakozó áramú hálózatra.
- Soha ne húzza ki a csatlakozódugót a csatlakozókábelnél fogva az aljzatból.

2.5 Biztonság gázüzem során



FIGYELMEZTETÉS!

- A hűtőkészüléket gázzal **kizárólag** szabad térben lehet üzemeltetni.
- Soha ne üzemeltesse a hűtőkészüléket gázzal
 - közúti járművekben, vízi járművekben, vagy zárt helyiségekben
 - benzinkutakon
 - kompon
- **Fulladásveszély!**
Ha rosszul szellőző helyeken gázzal üzemelteti a készüléket, az oxigénhiányt okozhat ezekben a helyiségekben.
- A készülék üzemeltetése közben gondoskodjon a terület megfelelő szellőzéséről.
- Olyan rosszul szellőző helyeken mint például zárt helyiségek, sátrak, tehergépjárművek, lakókocsik, lakóautók, vitorláshajók, jachtok, hajók, és tehergépjármű-fülkék, ne használja a készüléket.
- Ne helyezze a készüléket gyúlékony anyagok (papír, száraz levelek, textíliák) közelébe.
- A gyúlékony tárgyakat tartsa távol az égőfejtől.

- A hűtőkészülék **kizárólag** a típustáblán megadott nyomással üzemeltethető. Előre beállított, DIN-DVGW által elismert és a DIN EN 16129 szabványnak megfelelő nyomásszabályozót használjon.
- **Soha** ne tárolja a folyékonygáz-palackokat szellőzés nélküli helyeken vagy a talajszint alatt (töltészszerű bemélyedésekben).
- Védje a folyékonygáz-palackokat a közvetlen napsugárzástól. A hőmérséklet 50 °C-nál nem lehet magasabb.
- Soha ne ellenőrizze a hűtőkészülék tömítettségét nyílt lánggal.
- Gázszag észlelése esetén:
 - Zárja el a gázellátás zárócsapját és a palackszelepet.
 - Ne működtesse az elektromos kapcsolókat.
 - Oltsa el a nyílt lángokat.
 - Egy szakértő vállalattal ellenőriztesse a gázberendezést.



FIGYELEM!

- Csak propán- vagy butángázt (földgázt ne) használjon.

3 A csomag tartalma

Mennyiség	Megnevezés
1	Abszorpciós hűtőláda
1	Fedeles tál jégkockák készítéséhez
1	Kezelési útmutató

4 Rendeltetészerű használat

Az abszorpciós hűtőláda élelmiszerek hűtésére alkalmas.

A hűtőláda egyenáramról, váltakozó áramról vagy gázzal is üzemeltethető.

A készülék kempingezésre is alkalmas. A készüléket védje az esőtől.



VIGYÁZAT! Egészségkárosodás veszélye!

Ellenőrizze, hogy a készülék hűtési teljesítménye megfelel-e a hűteni kívánt élelmiszerek követelményeinek.

5 Műszaki leírás

A hűtőkészülék mobil használatra alkalmas. A környezeti hőmérsékletnél körülbelül 30 °C-nál alacsonyabb hőfokig képes lehűteni vagy hidegen tartani az árukat.

Gázüzemben a hűtőkészülék csak kültéren használható.

Elektromos üzemben a hűtőkészülék zárt helyiségekben is használható.

5.1 Csatlakozók

Tétel 2. ábra, 4. oldal	Megnevezés
1	Váltóáramú csatlakozókábel
2	Egyenáramú csatlakozókábel
3	Kezelőelemek borítása
4	Gáz csatlakozócsonk (csak ACX35, ACX40)
5	Gázpatron (csak ACX40G)
6	Láng-kémlelőablak

5.2 Kezelőelemek

Tétel 3. ábra, 5. oldal	Megnevezés
1	Hűtőteljesítmény-szabályozó
2	Hőmérséklet-szabályozó
3	Gyújtógomb

Ha a váltóáramú hálózathoz csatlakoztatja a hűtőkészüléket, akkor a hűtési teljesítmény szabályozóval **(1)** lehet beállítani a kívánt hűtési teljesítményt:

- ▶ A hűtési teljesítmény **növeléséhez** óra járásával egyező irányba forgassa a hűtési teljesítmény szabályozót **(1)**.

A maximális hűtési teljesítmény beállításához forgassa a hűtési teljesítmény szabályozót **(1)** az óra járásával egyező irányba ütközésig („7” helyzet).

- ▶ A hűtési teljesítmény **csökkentéséhez** az óra járásával ellenkező irányba forgassa a hűtési teljesítmény szabályozót **(1)**.

- ▶ A hűtőkészülék kikapcsolásához forgassa el az óra járásával ellenkező irányba ütközésig a hűtési teljesítmény szabályozót **(1)** („O” állás).

Ha a hűtőkészülék az egyenáramú csatlakozóaljzathoz van csatlakoztatva, akkor a hűtési teljesítmény **nem** állítható be.

Ha a hűtőkészülék gázzal üzemel, akkor a hűtési teljesítmény szabályozóval **(2)** be lehet állítani a kívánt hűtési teljesítményt.

- ▶ A hűtési teljesítmény **növeléséhez** óra járásával egyező irányba forgassa a hőmérsékletszabályozót **(2)**.
A maximális hűtési teljesítményhez állítsa a hőmérsékletszabályozót **(2)** a legmagasabb beállításra.
- ▶ A hűtési teljesítmény **csökkentéséhez** az óra járásával ellenkező irányba forgassa a hőmérsékletszabályozót **(2)**.
- ▶ A hűtőkészülék kikapcsolásához forgassa el az óra járásával egyező irányba ütközésig a hőmérsékletszabályozót **(2)** („O” állás).

6 Kezelés



VIGYÁZAT! Egészségkárosodás veszélye!

Élelmiszert csak eredeti csomagolásban vagy megfelelő tárolókban szabad tárolni.



FIGYELEM! Sérülésveszély!

- Ügyeljen arra, hogy csak olyan tárgyak, illetve áruk legyenek a hűtőkészülékben, amelyek lehűthetők a kiválasztott hőmérsékletre.
- Ügyeljen arra, hogy üvegtárolókban levő italok vagy ételek ne hűljenek le túlzottan. Megfagyás esetén a folyadékok vagy folyékony ételek térfogata megnő. Ez az üveg edények törését okozhatja.
- Ügyeljen a hűtőkészülék jó szellőzésére, hogy a belsejéből elvont hő távozni tudjon; ellenkező esetben nincs biztosítva a rendeltetésszerű működés. Különösen a szellőzőnyílásokat nem szabad letakarni.



MEGJEGYZÉS

- Az új hűtőkészüléket az üzembe helyezés előtt – higiéniai okokból – tisztítsa meg nedves ruhával belül és kívül (lásd „Tisztítás és ápolás” fejelet, 279. oldal).
- Az utazás előtt körülbelül 24 óráig hálózatról vagy gáz használatával hűtse elő hűtőkészülékét. Ezáltal az alkalmazás helyén gyorsabban elérheti a kívánt hűtési teljesítményt.
- A hűtési teljesítményt az alábbiak befolyásolhatják:
 - a környezeti hőmérséklet,
 - a konzerválandó élelmiszerek mennyisége,
 - a fedélnyitás gyakorisága
- Ha a hűtőkészülék már hosszabb ideig hűtött, néhány vízcsepp képződhet a belsejében. Ez normális jelenség, mivel a levegőben lévő nedvesség vízcseppekké alakul, amikor a hűtőkészülékben a hőmérséklet lecsökken. A hűtőkészülék megfelelően működik. Adott esetben törölje ki a nedvességet száraz ruhával.

- A felnyitáshoz nyomja meg a kezelőelemek borítását (2. ábra 3, 4. oldal).
- A záráshoz nyomja a kezelőelemek borítását (2. ábra 3, 4. oldal) a fedél irányába, amíg az a helyére nem pattan.

6.1 Energiatakarékossági tippek

- A készülék működtetéséhez válasszon jól szellőző és napfénytől védett helyet.
- Hagyja lehűlni a meleg ételeket, mielőtt azokat hidegen tartaná a készülékben.
- Ne nyissa ki a hűtőkészülékét a szükségesnél gyakrabban.
- Ne hagyja nyitva a hűtőkészülékét a szükségesnél hosszabban.

6.2 A hűtőláda használata egyenáramú üzemben

- A hűtőkészülékét szilárd, sík aljzatra állítsa.
- Csatlakoztassa az egyenáramú csatlakozókábelt (2. ábra 2, 4. oldal) a jármű egyenáramú csatlakozóaljzatához.
- ✓ A hűtőkészülék megkezdte a belső tér hűtését.
- A hűtőkészülék üzemen kívül helyezéséhez húzza ki az egyenáramú csatlakozókábelt.

6.3 Csatlakoztatás a szivargyújtóhoz



MEGJEGYZÉS

Ha a hűtőkészüléket járműve szivargyújtójához csatlakoztatja, vegye figyelembe, hogy a készülék áramellátásához adott esetben be kell kapcsolnia a gyújtást.

6.4 A hűtőláda használata váltakozó áramú üzemben

- ▶ A hűtőkészüléket szilárd, sík aljzatra állítsa.
- ▶ A váltakozó áramú csatlakozókábelt **2**. ábra 1, 4. oldal) csatlakoztassa a váltakozó áramú hálózathoz.
- ▶ Fordítsa a hűtésteljesítmény-szabályozót **3**. ábra 1, 5. oldal) a kívánt állásba.
- ✓ A hűtőkészülék megkezdji a belső tér hűtését.

6.5 Az ACX35, ACX40 hűtőláda csatlakoztatása külső gázellátáshoz (DE, A, CH)



FIGYELMEZTETÉS!

A hűtőkészüléknek a gázvezetékbe szerelt záróberendezésen keresztül külön elzárhatóknak kell lennie. A záróberendezésnek könnyen hozzáférhetőnek kell lennie.



FIGYELEM!

- A hűtőkészüléket csak szakember, az érvényes előírások és szabványok betartásával csatlakoztathatja a gázellátásra.
- Csak ellenőrzött nyomáscsökkentő szeleppel és megfelelő fejrésszel rendelkező propán- vagy butángázpalackokat (földgázt, vagy közüzemi gázt ne) használjon. Hasonlítsa össze az adattáblán lévő nyomásadatot a propán- vagy butángázpalack nyomásszabályozóján lévő nyomásadattal.
- Vegye figyelembe az adott országban engedélyezett nyomásokat. Előre beállított, DIN-DVGW tanúsítvánnyal rendelkező nyomásszabályozót használjon:
 - Németországban érvényes: DIN EN 16129.
 - Európában érvényes: EN 732, EN 521 és EN 437:2003+A1:2009.
- A hűtőkészüléket csak műszakilag kifogástalan állapotban szabad üzemeltetni. A kilyukadt, vagy sérült tömlőket azonnal ki kell cserélni.



MEGJEGYZÉS

- Olyan gáznyomásszabályozót használjon, amely képes biztosítani a típustáblán megadott gáznyomást.

Ehhez a következő módon járjon el **(4)**. ábra, 5. oldal):

- A hűtőkészüléket szilárd, sík aljzatra állítsa.



FIGYELMEZTETÉS!

Csak legfeljebb 1,5 m hosszú ellenőrzött tömlővezetéseket (DIN 4815 2. rész) szabad használni.

- Csatlakoztassa a tömlővezetékét **(3)** a hűtőkészülék gázcsatlakozó csomójához **(2)**.
Ehhez használjon 13 mm és 17 mm méretű villáskulcsokat **(1)**.
- Ügyeljen arra, hogy a tömlővezeték
 - ne csípődjön be és ne törjön meg
 - biztonságos távolságban legyen az égőfejtől
- Húzza le a védőkupakot **(4)** a gázcsatlakozás biztonsági csatlakozókapcsolójáról **(5)**.
- Illessze be a tömlővezeték csatlakozóhüvelyét **(3)** a biztonsági csatlakozókapcsolóba **(5)**, ez hallhatóan a helyére pattan.
- Nyissa ki a szelepet **(6)** a biztonsági csatlakozókapcsolón **(5)**.
- Nyissa ki a gázpalack, vagy gáztartály szelepét.



FIGYELMEZTETÉS!

A tömítettséget tilos nyílt láng mellett vagy gyújtóforrások közelében ellenőrizni.

- Ellenőrizze szivárgás-ellenőrző permittel a szerelési helyek tömítettségét.
A csatlakozási pontok akkor tömítettek, ha **nem** képződnek buborékok.

Válassza le a hűtőládát a külső gázellátásról

- Zárja el a szelepet **(6)** a gázcsatlakozás biztonsági csatlakozókapcsolóján **(5)**.
- A tolópersely az armatúra fogantyújának irányába tolásával válassza le a tömlővezetékét **(2)**.
- Helyezze fel a védőkupakot **(4)** a biztonsági csatlakozókapcsolóra **(5)**.
- Forgassa a hőmérséklet-szabályozót **(3)**. ábra 2, 5. oldal) „O” helyzetbe.

6.6 Az ACX35, ACX40 hűtőláda csatlakoztatása gázpalackhoz

Vegye figyelembe a gáz típusára és nyomására vonatkozó következő országspecifikus kategóriákat:

Ország	Készülékkategóriák
Dánia, Finnország, Magyarország, Norvégia, Lengyelország, Svédország	I ₃ B/P – 30 mbar
Belgium, Cseh Köztársaság, Franciaország, Olaszország, Hollandia, Portugália, Szlovákia, Spanyolország, Egyesült Királyság	I ₃ + – 28 – 30 / 37 mbar
Ausztria, Németország, Luxemburg, Svájc	I ₃ B/P – 50 mbar

- Csatlakoztassa az ACX35, ACX40 hűtőládát a gáztömlőhöz (**6**. ábra, 7. oldal) és a gázpalackhoz (**7**. ábra, 8. oldal).



FIGYELEM!

- A készülék csatlakoztatását követően a gázellátás összes csatlakozási helyén (összes menetes csatlakozó, bilincses tömlőcsatlakozások, a gázpalack csatlakozása) habképző anyaggal, például lúgos szappannal ellenőrizze a gázvezeték szivárgásmentességét.
- Szemrevételezéssel is ellenőrizze a tömlőt (nincsenek-e rajta repedések, kopások, sérülések).
- A sérült tömlőt azonnal cserélje le egy újra.

6.7 A gázpatron csatlakoztatása ACX40G hűtőláda



FIGYELMEZTETÉS!

- Vegye figyelembe a gázpatron kezelési-, és tárolási útmutatásait.
- Biztosítsa, hogy a gázpatron és a hűtőkészülék csatlakozásai szennyeződésmentesek legyenek.



MEGJEGYZÉS

A hűtőkészülék üzemeltetésére CAMPINGAZ CP250 típusú önbiztosító gázpatron alkalmas.

- A gázpatront alulról nyomja bele a hűtőkészülék csatlakozójába (5. ábra, 6. oldal).



FIGYELMEZTETÉS!

A tömítettséget tilos nyílt láng mellett vagy gyújtóforrások közelében ellenőrizni.

- Ellenőrizze szivárgás-ellenőrző permittel a szerelési helyek tömítettségét. A csatlakozási pontok akkor tömítettek, ha **nem** képződnek buborékok.

A hűtőkészülék minden mozgatása előtt:

- Vegye ki a gázpatront.

6.8 A hűtőláda használata gázüzemben

- Állítsa a hőmérséklet-szabályozót (3. ábra 2, 5. oldal) a legmagasabb fokozatra.
- Nyomja le és tartsa lenyomva a hőmérséklet-szabályozót.
- Kb. 10 másodperc elteltével többször egymás után nyomja le a gyújtógombot (3. ábra 3, 5. oldal), amíg a láng meg nem gyullad.
- ✓ Sikeres begyújtás esetén a láng-kémlelőablakban (2. ábra 6, 4. oldal) látható a láng.
- További 20 másodpercig tartsa nyomva a hőmérséklet-szabályozót.

6.9 A hűtőláda kikapcsolása

- Zárja el a készüléken és a gázpalackon lévő gázszelepet.

6.10 A hűtőláda leolvasztása



FIGYELEM!

A jégretegek eltávolítására vagy odafagyott tárgyak leválasztására ne használjon mechanikus szerszámokat.



MEGJEGYZÉS

A hűtőkészülék belsejében, a hűtőbordákon idővel dér képződik. Ha ez a dérréteg eléri a kb. 3 mm vastagságot, akkor le kell olvasztani a hűtőkészüléket.

- ▶ Szakítsa meg a tápfeszültség- és gázellátást.
- ▶ Ürítse ki a hűtőkészüléket.
- ▶ Helyezzen egy kendőt a hűtőtérbe, így felitathatja a leolvadó vizet.
- ▶ Hagyja nyitva a fedelet.
- ▶ Száraz kendővel törölje ki a hűtőtér.

7 Tisztítás és ápolás



FIGYELMEZTETÉS!

A készüléket minden tisztítás és karbantartás előtt válassza le a hálózatról.



FIGYELEM! Sérülés veszélye!

- Soha ne tisztítsa a hűtőkészüléket folyó víz alatt vagy mosogatóvízben.
- Ne használjon a tisztításhoz éles tisztítóeszközöket vagy kemény tárgyakat, mert azok a hűtőkészüléket megsérthetik.

- ▶ Alkalmanként tisztítsa meg a készüléket kívül-belül nedves ruhával.
- ▶ Biztosítsa, hogy a készülék szellőztető és légtelenítő nyílásai por- és szennyeződésmentesek legyenek, mert így az üzem közben létrejövő hő távozhat és a készülék nem károsodik.

8 Szavatosság

A termékre a törvény szerinti szavatossági időszak érvényes. A termék meghibásodása esetén forduljon a gyártói lerakathoz (a címeket lásd jelen útmutató hátoldalán), illetve az illetékes szakkereskedőhöz.

A javításhoz, illetve a szavatossági adminisztrációhoz a következő dokumentumokat kell mellékelnie:

- a számla vásárlási dátummal rendelkező másolatát,
- a reklamáció okát vagy a hibát tartalmazó leírást.

9 Üzemzavar-elhárítás

Üzemzavar	Hiba lehetséges oka	Megoldási javaslat
A hűtőkészülék nem működik.	A hűtőládát helytelenül állították fel.	Ellenőrizze, hogy vízszintesen áll-e a készülék. Ellenőrizze, hogy biztosított-e a megfelelő szellőzés.
	A hűtőkör meghibásodott.	A javítást csak engedéllyel rendelkező vevőszolgálat végezheti.
Egyenáramú üzem esetén: A hűtőkészülék nem működik (a csatlakozódugó be van illesztve).	A jármű egyenáramú csatlakozójában nincs feszültség.	A legtöbb járműben be kell kapcsolni a gyújtást ahhoz, hogy feszültség legyen az egyenáramú csatlakozójában.
	Elszennyeződött az egyenáramú csatlakozóját foglalat. Emiatt rossz az elektromos érintkezés.	Ha a hűtőkészülék dugasza nagyon felmelegszik az egyenáramú csatlakozóját foglalatában, akkor vagy a foglalatot kell megtisztítani, vagy esetleg a dugasz van hibásan összeszerelve.
	Kiégett az egyenáramú dugasz biztosítója.	Cserélje ki az egyenáramú dugasz biztosítékát (6. ábra 1, 7. oldal) egy azonos paraméterekkel rendelkező biztosítékra.
	Kiégett a jármű biztosítója.	Cserélje ki a jármű egyenáramú csatlakozójának biztosítékát (általában 15 A) (ennek során vegye figyelembe járműve üzemeltetési útmutatásait).

Üzemzavar	Hiba lehetséges oka	Megoldási javaslat
Váltakozó áramú üzem esetén: A hűtőkészülék nem működik (a csatlakozódugó be van illesztve).	A váltakozó áramú aljzatban nincs feszültség.	Próbáljon egy másik aljzatot használni.
Gázüzem esetén: A hűtőkészülék nem működik (a hűtőkészülék csatlakoztatva van a gázhoz).	A hűtőkészülék nincs megfelelően csatlakoztatva a gázhoz.	Ellenőrizze, hogy biztosított-e a kifogástalan gázellátás. Ellenőrizze, hogy a gázpalack szelepe nyitva van-e. Ellenőrizze, hogy van-e még gáz a palackban. Ellenőrizze, hogy egyszerre több energiaforrás van-e csatlakoztatva. A begyűjtáshoz tartsa nyomva hosszabban a hőmérséklet-szabályozót.
A hűtőkészülék hosszabb használaton kívül időszak után nem indul el.	–	Állítsa fejre a hűtőkészüléket az energiaforrások csatlakoztatása nélkül, és várjon nagyjából öt percet. Fordítsa vissza a hűtőkészüléket, és kapcsolja újra be.



10 Ártalmatlanítás

- A csomagolóanyagot lehetőleg a megfelelő újrahasznosítható hulladék közé tegye.



Ha a terméket véglegesen kivonja a forgalomból, kérjük, tájékozódjon a legközelebbi hulladékártalmatlanító központnál vagy a szakkereskedőjénél az idevonatkozó ártalmatlanítási előírásokkal kapcsolatban.

11 Műszaki adatok

	ACX35	ACX40	ACX40G
Névleges fűtési terhelés Bután:	144 W		
Minimális fűtési terhelés Bután:	123 W		–
Névleges feszültség:	12 V _{DC} 220 – 240 V _{AC} , 50/60 Hz		
Teljesítményfelvétel:	75 W	85 W	
Hűtési teljesítmény:	a környezetnél legfeljebb 30 °C-kal alacsonyabb hőmérsékletig		
Bruttó úrtartalom:	33 l	41 l	
Hasznos térfogat:	31 l	40 l	
Energiafogyasztás:	1,4 kWh/24 h	1,6 kWh/24 h	
Klímaosztály:	N		
Környezeti hőmérséklet:	16 és 32 °C között		
Zajkibocsátás:	0 dB		
Hűtőközeg	159 g H ₂ O + 86 g NH ₃		
Méretetek (szé. x ma. x mé.) mm-ben:	lásd: 7. ábra, 8. oldal		
Súly:	Kb. 15 kg	Kb. 14 kg	Kb. 15 kg
Vizsgálat / tanúsítvány:	 		

	ACX35		ACX40	
	28 – 30 mbar, 30 mbar, 37 mbar	50 mbar	28 – 30 mbar, 30 mbar, 37 mbar	50 mbar
Cikkszám:	9105204280 9105204281 9105204282 9105204290	9105204279	9105204285 9105204287 9105204286 9105204288	9105204284
Gázfogyasztás:	10,5 g/h	9,9 g/h	10,5 g/h	9,9 g/h

	ACX40G
Cikkszám:	9105204291 9105204289
Gázfogyasztás:	10,5 g/h

GERMANY**Dometic WAECO International GmbH**

Hollefeldstraße 63 · D-48282 Emsdetten
 ☎ +49 (0) 2572 879-0 · 📠 +49 (0) 2572 879-300
 Mail: info@dometic-waeco.de

dometic.com**AUSTRALIA****Dometic Australia Pty. Ltd.**

1 John Duncan Court
 Varsity Lakes QLD 4227
 ☎ 1800 212121
 📠 +61 7 55076001
 Mail: sales@dometic.com.au

AUSTRIA**Dometic Austria GmbH**

Neudorferstraße 108
 A-2353 Guntramsdorf
 ☎ +43 2236 908070
 📠 +43 2236 90807060
 Mail: info@dometic.at

BENELUX**Dometic Branch Office Belgium**

Zincstraat 3
 B-1500 Halle
 ☎ +32 2 3598040
 📠 +32 2 3598050
 Mail: info@dometic.be

BRAZIL**Dometic DO Brasil LTDA**

Avenida Paulista 1754, conj. 111
 SP 01310-920 Sao Paulo
 ☎ +55 11 3251 3352
 📠 +55 11 3251 3362
 Mail: info@dometic.com.br

DENMARK**Dometic Denmark A/S**

Nordensvej 15, Taulov
 DK-7000 Fredericia
 ☎ +45 75585966
 📠 +45 75586307
 Mail: info@dometic.dk

FINLAND**Dometic Finland OY**

Mestariitie 4
 FIN-01730 Vantaa
 ☎ +358 20 7413220
 📠 +358 9 7593700
 Mail: info@dometic.fi

FRANCE**Dometic SAS**

ZA du Pré de la Dame Jeanne
 B.P. 5
 F-60128 Pleilly
 ☎ +33 3 44633525
 📠 +33 3 44633518
 Mail: vehiculesdeloisirs@dometic.fr

HONG KONG**Dometic Group Asia Pacific**

Suites 2207-11 / 22/F - Tower 1
 The Gateway - 25 Canton Road,
 Tsim Sha Tsui - Kowloon
 ☎ +852 2 4611386
 📠 +852 2 4665553
 Mail: info@waeco.com.hk

HUNGARY**Dometic Zrt. Sales Office**

Kerekgyártó u. 5.
 H-1147 Budapest
 ☎ +36 1 468 4400
 📠 +36 1 468 4401
 Mail: budapest@dometic.hu

ITALY**Dometic Italy S.r.l.**

Via Virgilio, 3
 I-47122 Forlì (FC)
 ☎ +39 0543 754901
 📠 +39 0543 754983
 Mail: vendite@dometic.it

JAPAN**Dometic KK**

Maekawa-Shibaura, Bldg. 2
 2-13-9 Shibaura Minato-ku
 Tokyo 108-0023
 ☎ +81 3 5445 3333
 📠 +81 3 5445 3339
 Mail: info@dometic.jp

MEXICO**Dometic Mx, S. de R. L. de C. V.**

Circuito Médicos No. 6 Local 1
 Colonia Ciudad Satélite
 CP 53100 Naucalpan de Juárez
 Estado de México
 ☎ +52 55 5374 4108
 📠 +52 55 5393 4683
 Mail: info@dometic.com.mx

NETHERLANDS**Dometic Benelux B.V.**

Ecustraat 3
 NL-4879 NP Etten-Leur
 ☎ +31 76 5029000
 📠 +31 76 5029019
 Mail: info@dometic.nl

NEW ZEALAND**Dometic New Zealand Ltd.**

PO Box 12011
 Penrose
 Auckland 1642
 ☎ +64 9 622 1490
 📠 +64 9 622 1573
 Mail: customerservices@dometic.co.nz

NORWAY**Dometic Norway AS**

Østerøyveien 46
 N-3232 Sandefjord
 ☎ +47 33428450
 📠 +47 33428459
 Mail: firmapost@dometic.no

POLAND**Dometic Poland Sp. z o.o.**

Ul. Puławska 435A
 PL-02-801 Warszawa
 ☎ +48 22 414 3200
 📠 +48 22 414 3201
 Mail: info@dometic.pl

PORTUGAL**Dometic Spain, S.L.**

Branch Office em Portugal
 Rot. de São Gonçalo nº 1 – Esc. 12
 2775-399 Carcavelos
 ☎ +351 219 244 173
 📠 +351 219 243 206
 Mail: info@dometic.pt

RUSSIA**Dometic RUS LLC**

Komsomolskaya square 6-1
 RU-107140 Moscow
 ☎ +7 495 780 79 39
 📠 +7 495 916 56 53
 Mail: info@dometic.ru

SINGAPORE**Dometic Pte Ltd**

18 Boon Lay Way 06-140 Trade Hub 21
 Singapore 609966
 ☎ +65 6795 3177
 📠 +65 6862 6620
 Mail: dometic@dometic.com.sg

SLOVAKIA**Dometic Slovakia s.r.o. Sales Office Bratislava**

Nádražná 34/A
 900 28 Ivanka pri Dunaji
 ☎/📠 +421 2 45 529 680
 Mail: bratislava@dometic.com

SOUTH AFRICA**Dometic (Pty) Ltd.****Regional Office****South Africa & Sub-Saharan Africa**

2 Avalon Road
 West Lake View Ext 11
 Modderfontein 1645
 Johannesburg
 ☎ +27 11 4504978
 📠 +27 11 4504976
 Mail: info@dometic.co.za

SPAIN**Dometic Spain S.L.**

Avda. Sierra del Guadarrama, 16
 E-28691 Villanueva de la Cañada
 Madrid
 ☎ +34 91 833 60 89
 📠 +34 900 100 245
 Mail: info@dometic.es

SWEDEN**Dometic Scandinavia AB**

Gustaf Melins gata 7
 S-42131 Västra Frölunda
 ☎ +46 31 7341100
 📠 +46 31 7341101
 Mail: info@dometicgroup.se

SWITZERLAND**Dometic Switzerland AG**

Riedackerstrasse 7a
 CH-8153 Rümlang
 ☎ +41 44 8187171
 📠 +41 44 8187191
 Mail: info@dometic.ch

UNITED ARAB EMIRATES**Dometic Middle East FZCO**

P. O. Box 17860
 S-D 6, Jebel Ali Freezone
 Dubai
 ☎ +971 4 883 3858
 📠 +971 4 883 3868
 Mail: info@dometic.ae

UNITED KINGDOM**Dometic UK Ltd.**

Dometic House, The Brewery
 Blandford St. Mary
 Dorset DT11 9LS
 ☎ +44 344 626 0133
 📠 +44 344 626 0143
 Mail: customerservices@dometic.co.uk

USA**Dometic RV Division**

1120 North Main Street
 Elkhart, IN 46515
 ☎ +1 574-264-2131